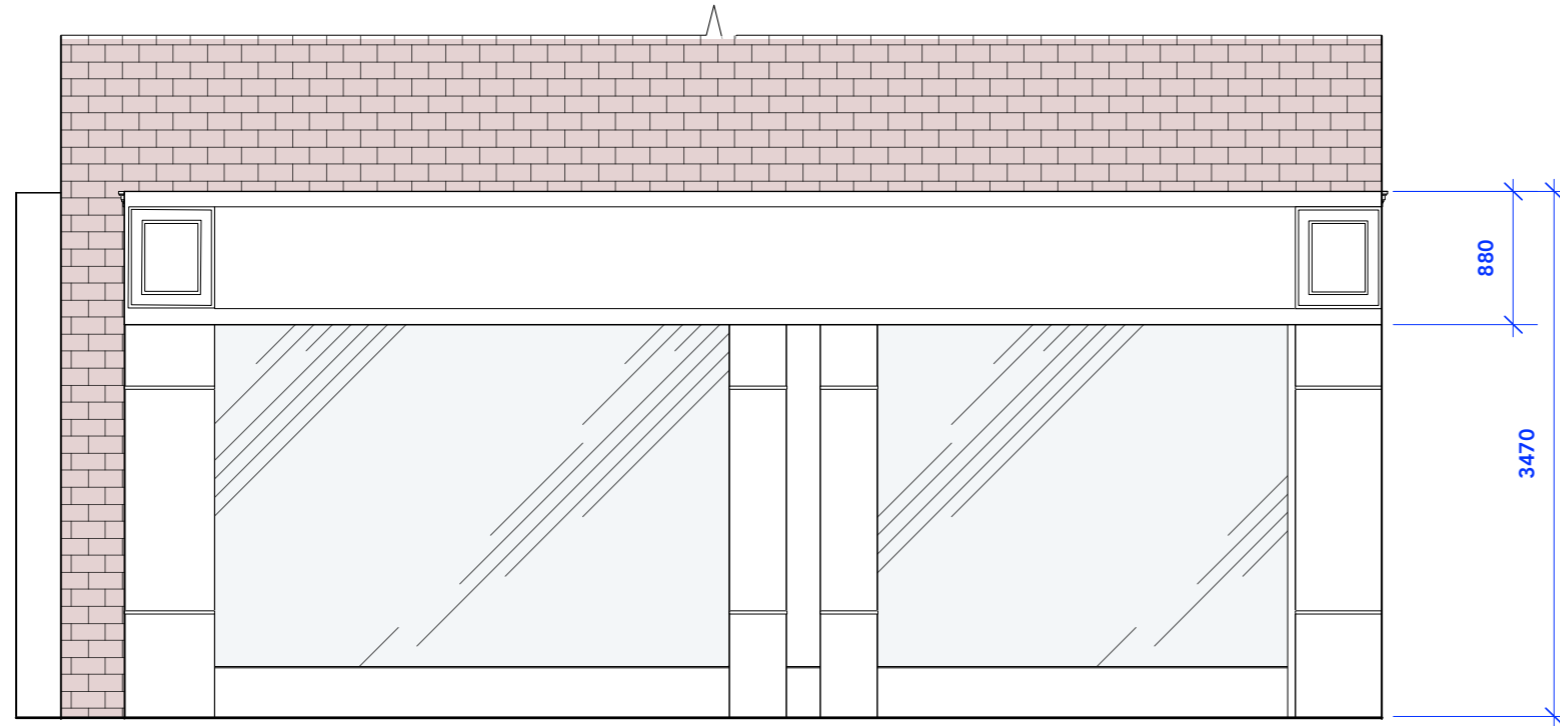
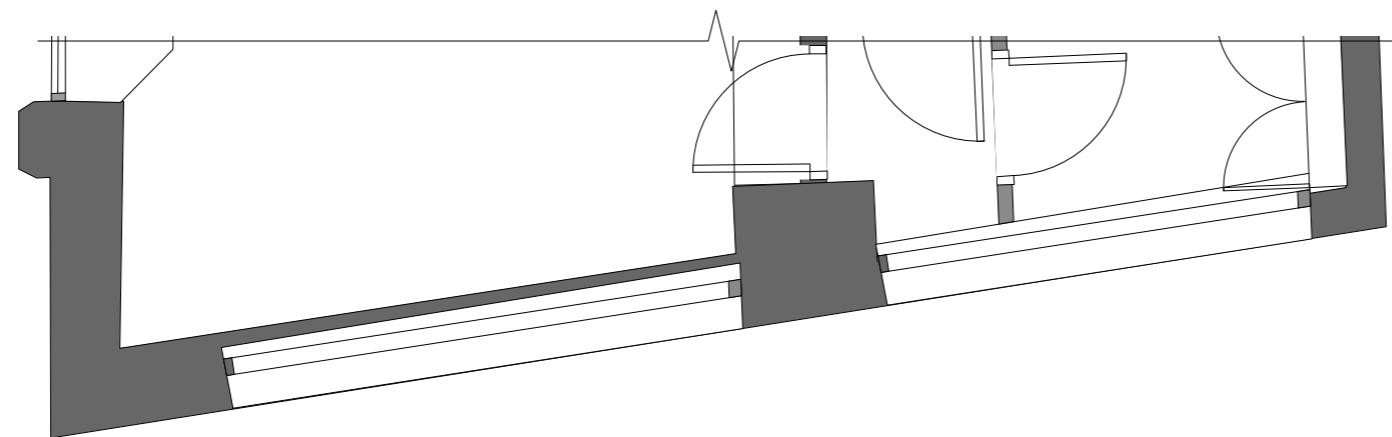




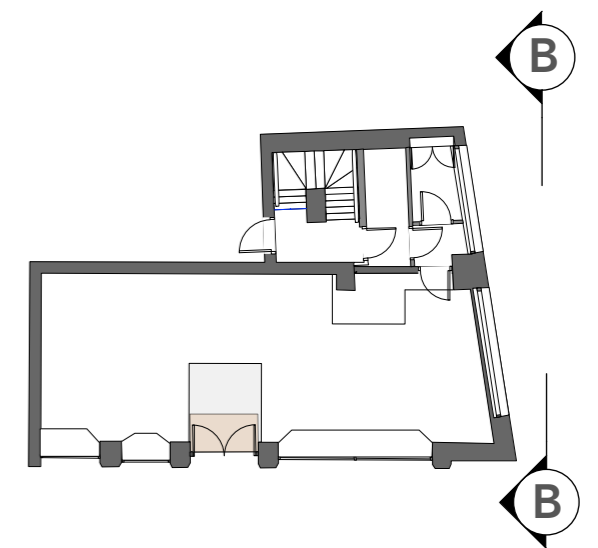
*NOTE:
ALL DIMENSIONS TO BE VERIFIED ON
SITE BY MC.
ANY DISCREPANCIES TO BE REPORTED
TO DESIGNER.



SIDE ELEVATION B-B



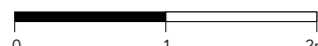
SIDE ELEVATION PLAN



KEY PLAN

*NOTE:
ALL DIMENSIONS TO BE VERIFIED ON
SITE BY MC.
ANY DISCREPANCIES TO BE REPORTED
TO DESIGNER.



SCALE: 
1:25@A1 / 1:50@A3

DRAWN BY:	CHECKED BY:	DRAWN DATE:	REVISION DATE:	DRAWING TITLE:
LMH	LA	05.04.2023	..	EXISTING EXTERNAL FRONT ELEVATION

DRAWING NO:
23.0157.E1-2

STORE ADDRESS: **72 Bondgate Within
Alnwick
NE66 1HZ**