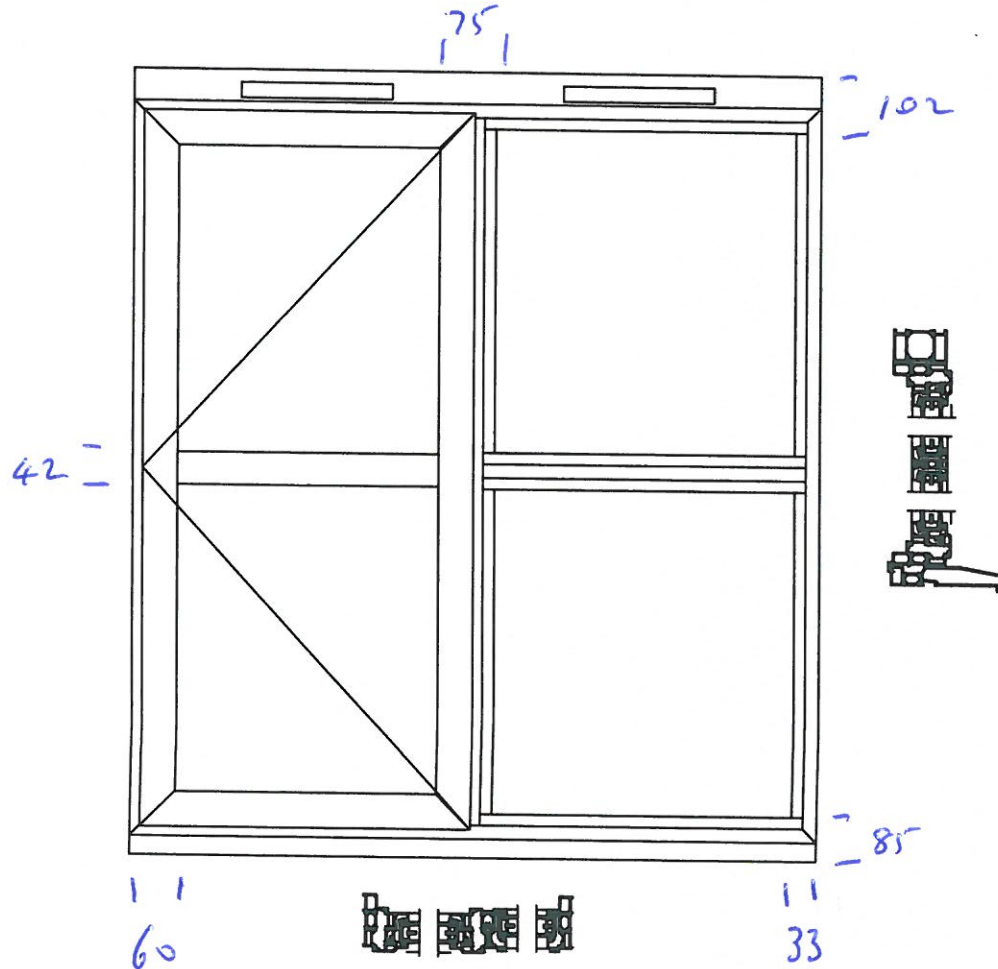


PROPOSED
TYPICAL SIDE OPENING NEXT TO FIXED
WITH SECTIONS THROUGH

W3



Contract Ref No:
1022156

Client:
MR & MRS GRIFFITHS

Project Name:
NORTH LODGE BARN
WITHERSDALE STREET
MENDHAM

Broadland Windows Limited
148 Hellesdon Park Road
Norwich
Norfolk NR6 5DR
Telephone Norwich (01603) 483002
Fax Norwich (01603) 485946
eMail info@broadlandwindows.co.uk

Date: 30 / 05 / 2023

Drawn: DJY



Drawing Title:

PROPOSED WINDOW

DESIGN &

SECTIONS



Drawing No:
SCALE 1:10

Rev
No: