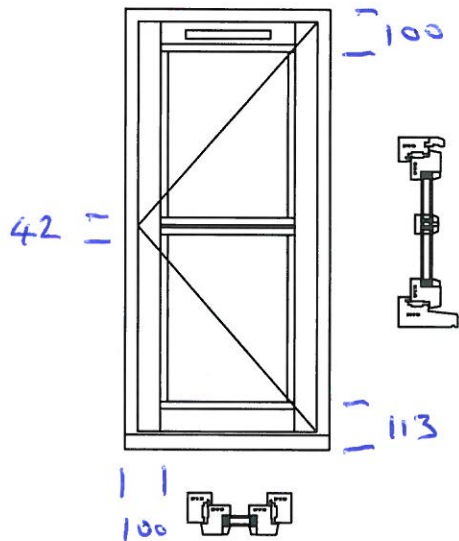
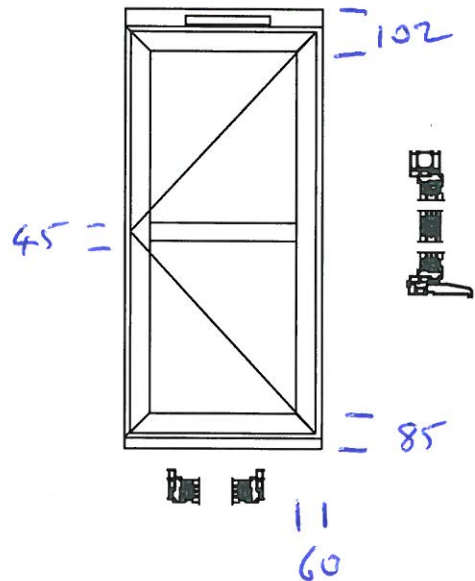


W1

EXISTING  
SIDE OPENING  
WITH SECTIONS THROUGH



PROPOSED  
SIDE OPENING  
WITH SECTIONS THROUGH



Contract Ref No:  
1022156

Client:  
MR & MRS GRIFFITHS

Project Name:  
NORTH LODGE BARN  
WITHERSDALE STREET  
MENDHAM

Broadland Windows Limited  
148 Hellesdon Park Road  
Norwich  
Norfolk NR6 5DR  
Telephone Norwich (01603) 483002  
Fax Norwich (01603) 483946  
eMail info@broadlandwindows.co.uk

Date: 30 / 05 / 2023

Drawn: DJY



Drawing Title:  
EXISTING & PROPOSED

DESIGN &  
SECTIONS

W1

Drawing No:  
SCALE 1:10

Rev  
No: