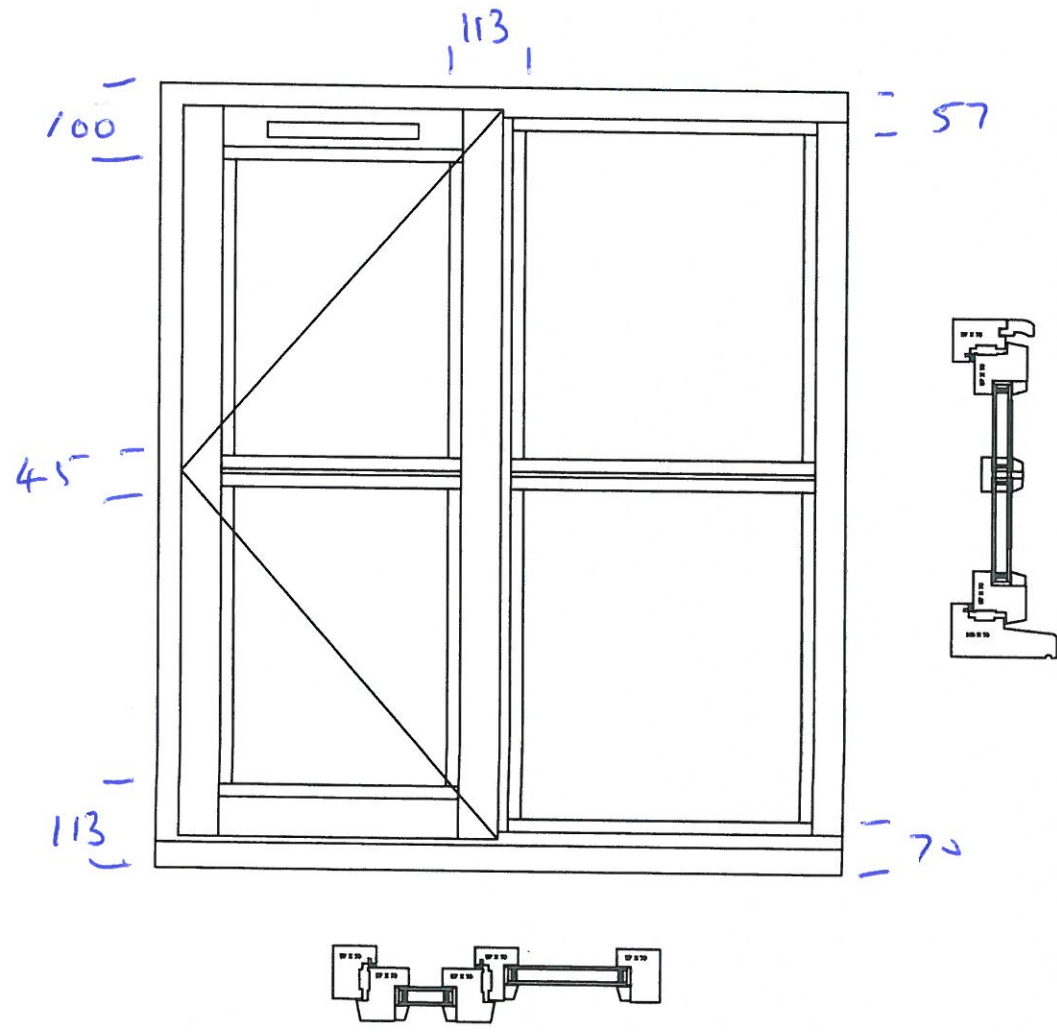


EXISTING  
TYPICAL SIDE OPENING NEXT TO FIXED  
WITH SECTIONS THROUGH

W3



Contract Ref No: <b>1022156</b>	
Client: MR & MRS GRIFFITHS	
Project Name: NORTH LODGE BARN WITHERSDALE STREET MENDHAM	
Broadland Windows Limited 148 Hellesdon Park Road Norwich Norfolk NR6 5DR Telephone Norwich (01603) 483002 Fax Norwich (01603) 485946 eMail info@broadlandwindows.co.uk	
Date:	30 / 05 / 2023
Drawn:	DJY
Drawing Title: EXISTING WINDOW DESIGN & SECTIONS	
Drawing No: <b>SCALE 1:10</b>	Rev No: <span style="border: 1px solid red; border-radius: 50%; padding: 2px;">W</span>