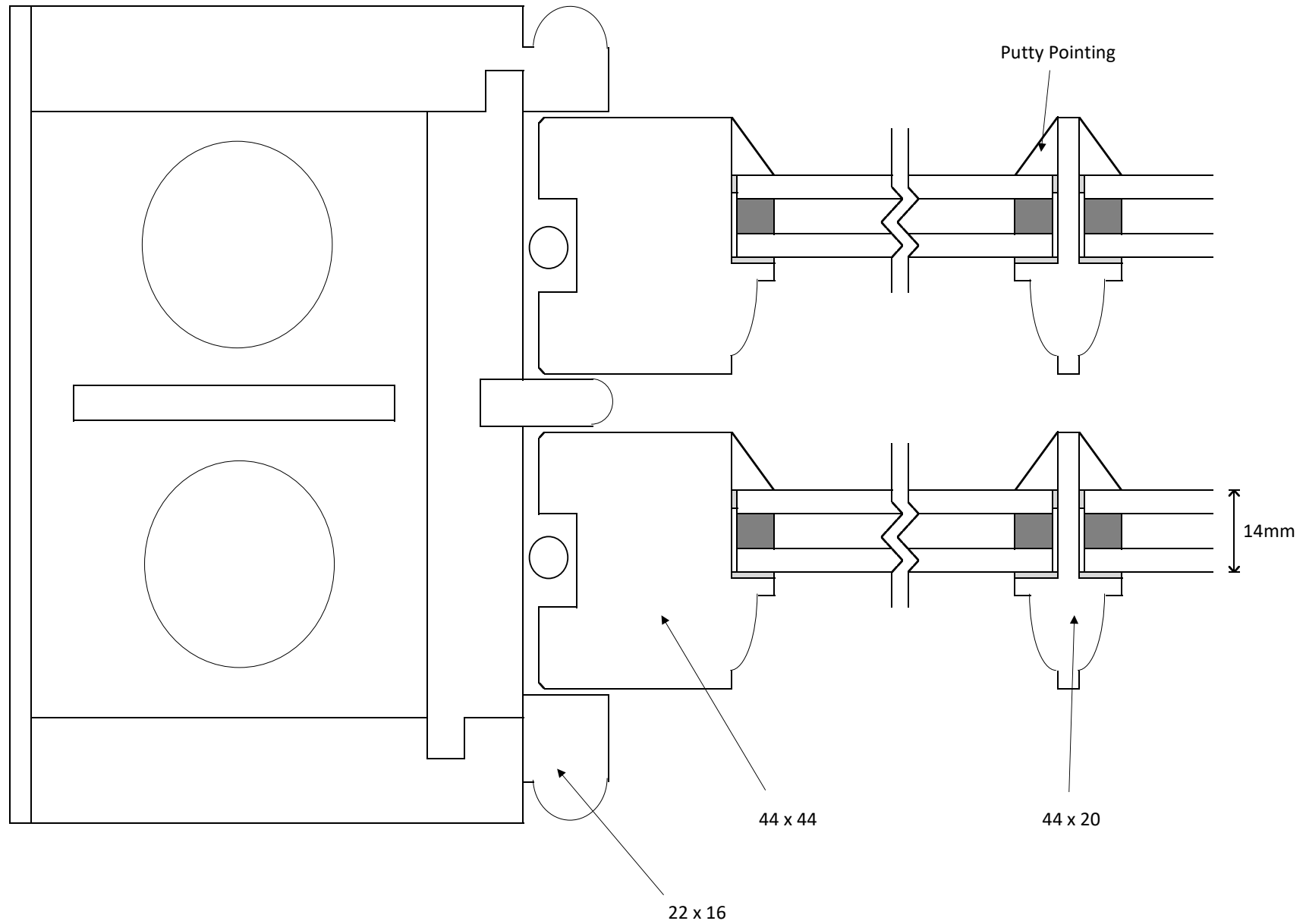


Box Sash details



Client

Mr & Mrs Soorih

Dwg Ref

Sectional View

Dwg No

RS/01/2022

Date

Apr-23

Scale

1:1 @ A4

Project

Proposed replacement windows