

Scale Bar Legend

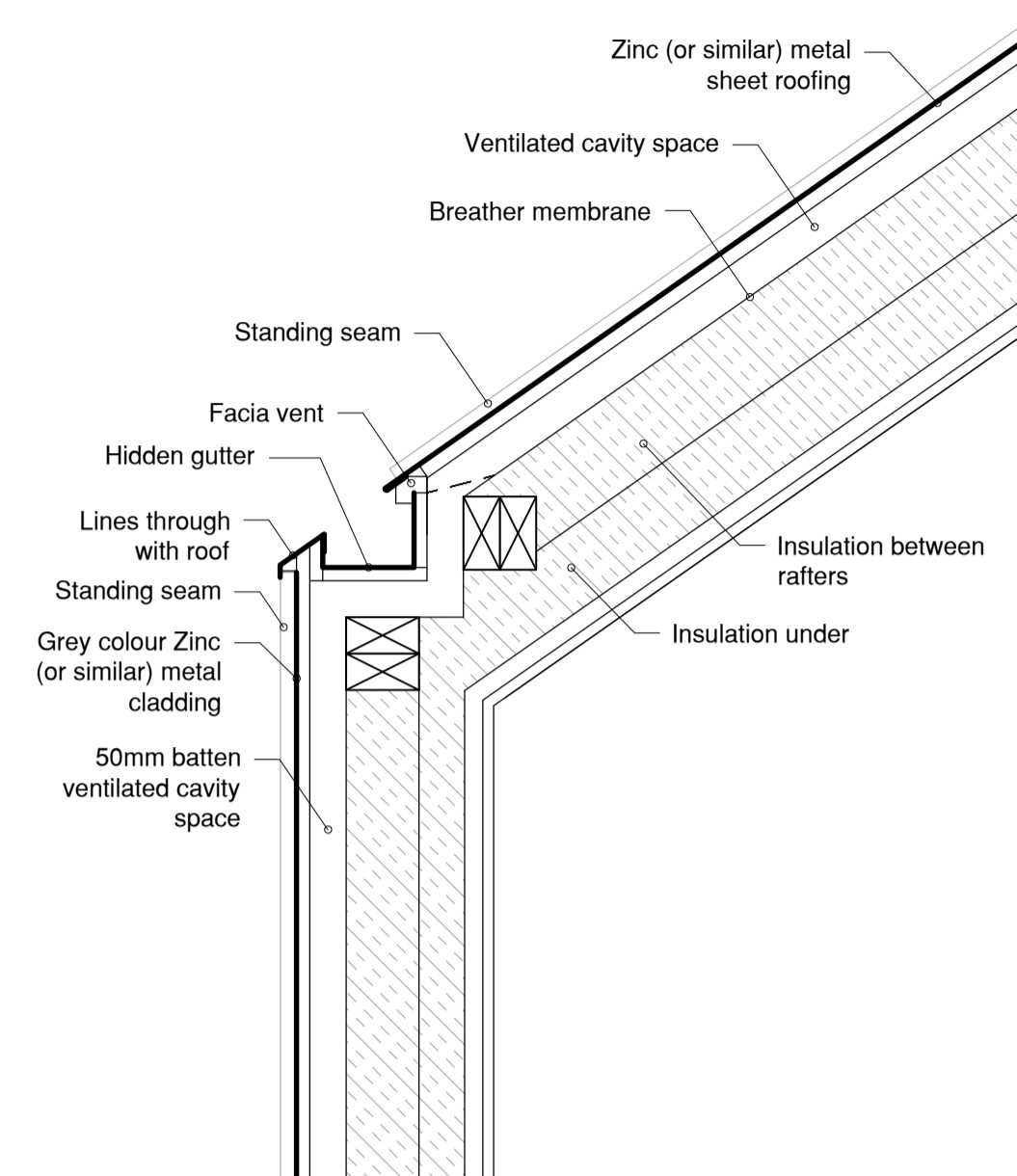
0 500mm



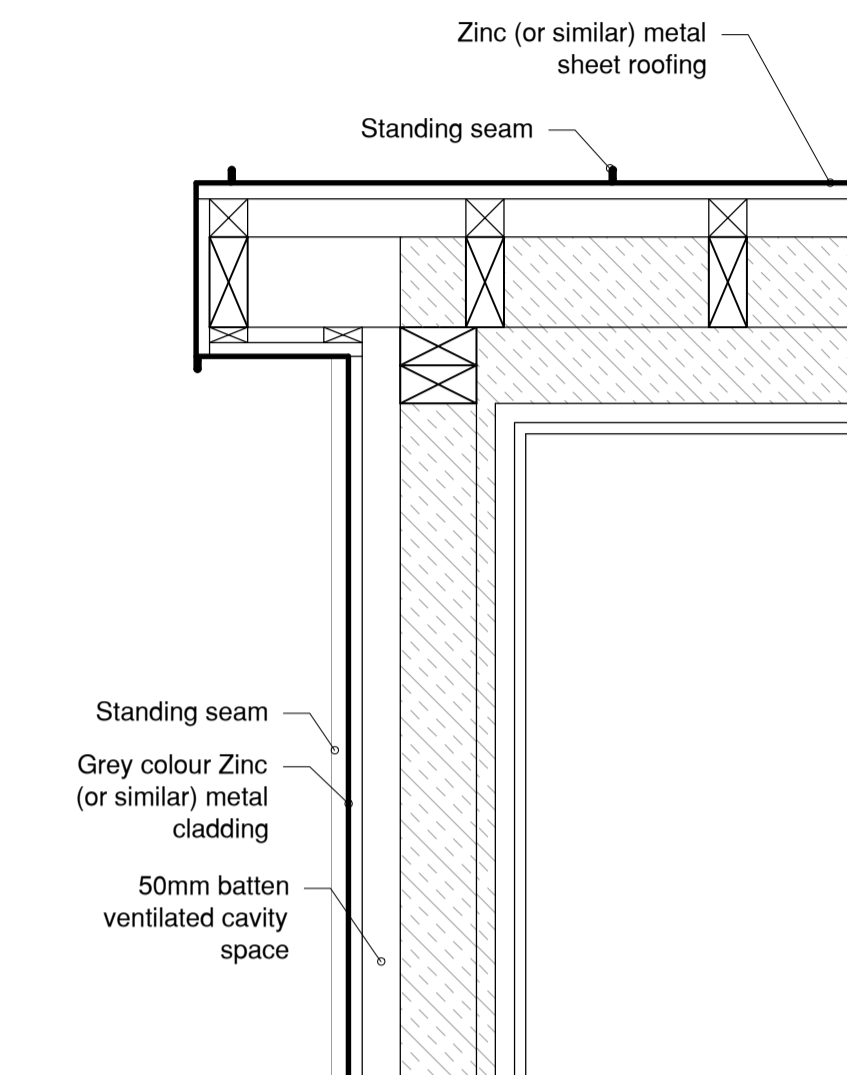
Scale Bar 1:10



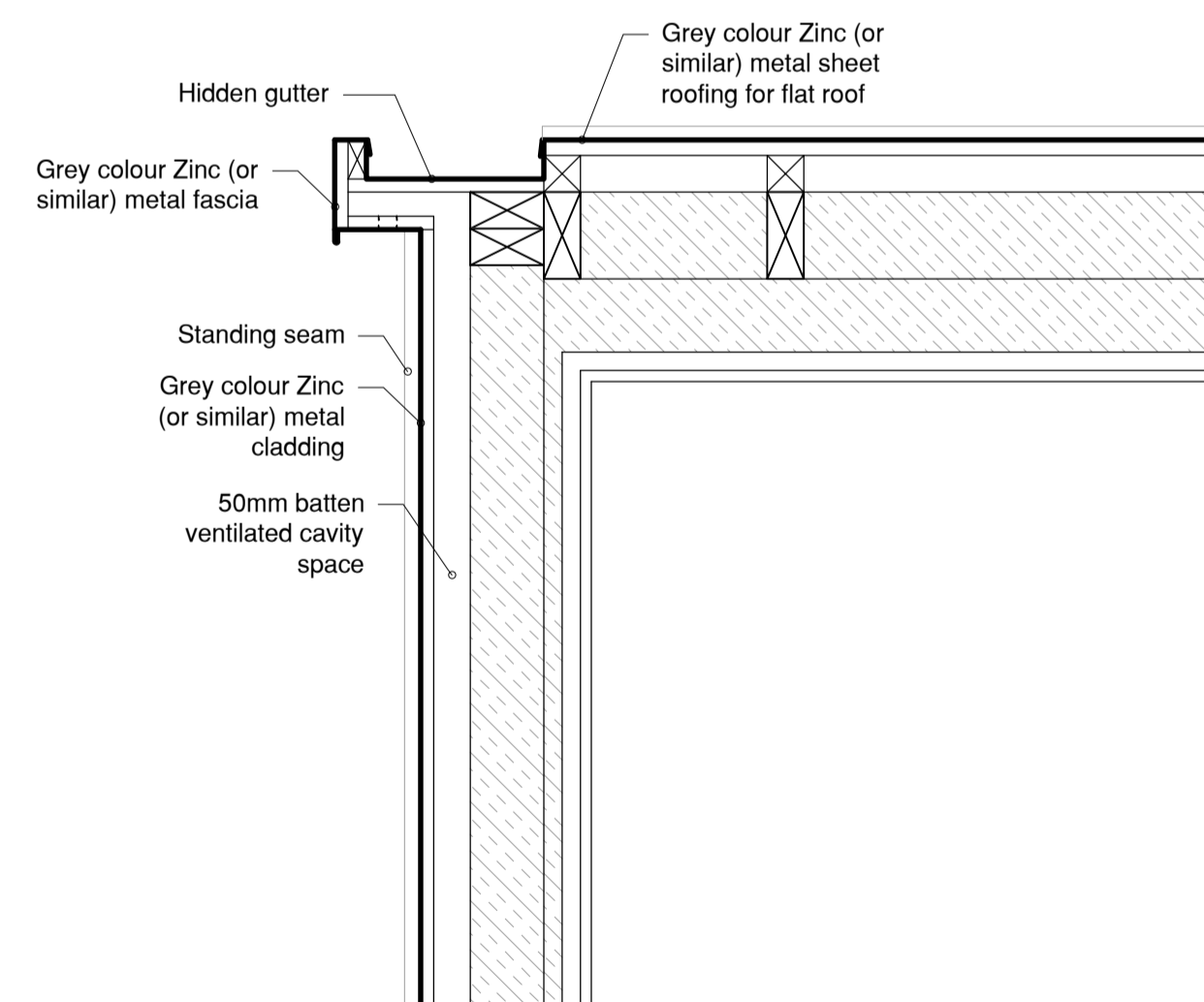
Kitchen extension eaves detail



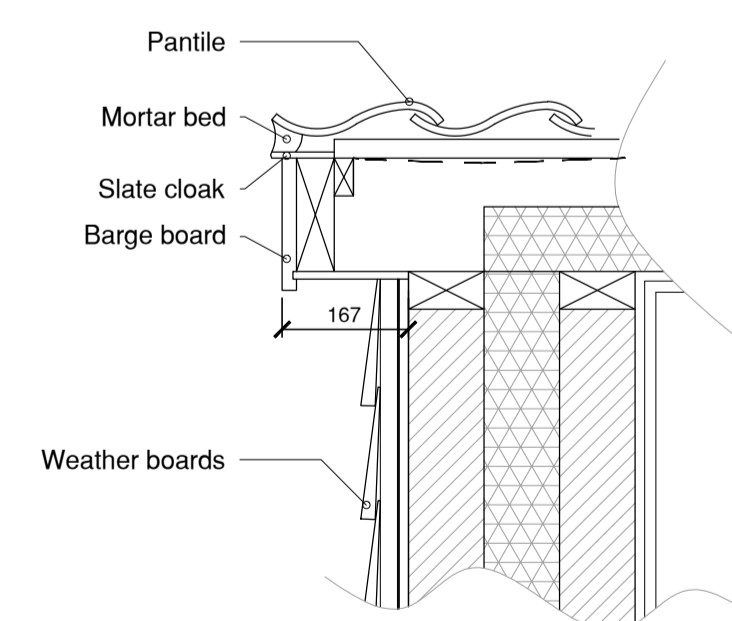
Kitchen extension eaves detail  
Scale 1:10



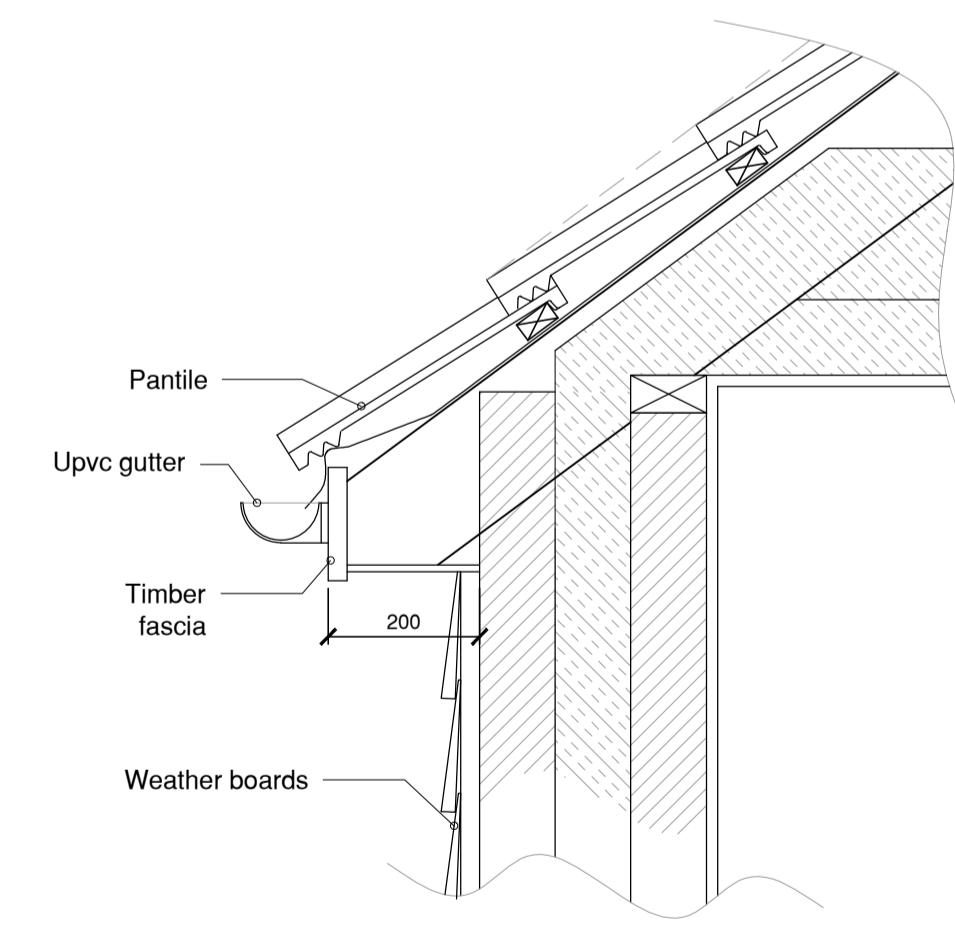
Kitchen extension verge detail  
Scale 1:10



WC Extension eaves detail  
Scale 1:10



Home Office verge detail  
Scale 1:10



Home Office eaves detail  
Scale 1:10

Rev:	Date:	Details:
A:		
B:		
C:		
D:		
E:		
F:		

Site Address:  
Tebbit, The Row, Hartest, Nr Bury St Edmunds, Suffolk. IP29 4DJ

Project:  
Proposed single storey rear extension, window & door replacements,  
new dormer, modified front wall and various minor works  
Client:  
Mr T & Mrs K Robertson  
Drawing Status:  
Planning  
Drawn by:  
LE  
Drawing Content:  
Eaves and verge details for extension and home office

Scales:  
As shown at A1  
Drawing No:  
1332-01-11  
Date Created:  
May 2022

Planning status:  
Babergh DC Planning approvals DC/21/06232 (HH) - DC/21/06233 (LBC)  
Building Regulation status:



This drawing is the copyright of Optimum Architecture Limited and may not be traced, copied (apart from for the sole purpose of carrying out the construction of the described works) or reproduced without prior written consent. Do not scale from this drawing. Any dimensions stated are for guidance only, all written and scaled dimensions are to be checked on site prior to commencement of works. Any discrepancies must be reported immediately.