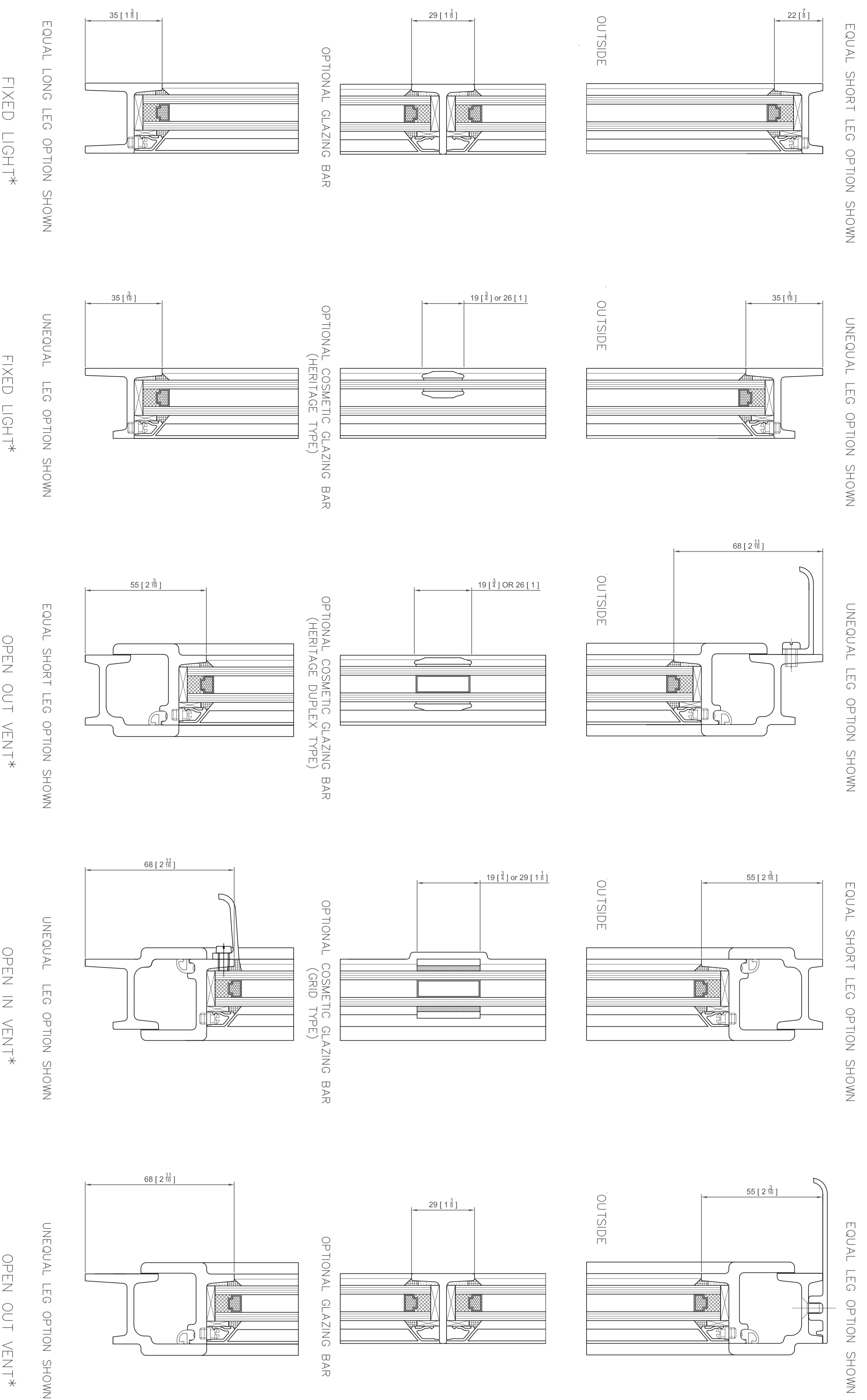
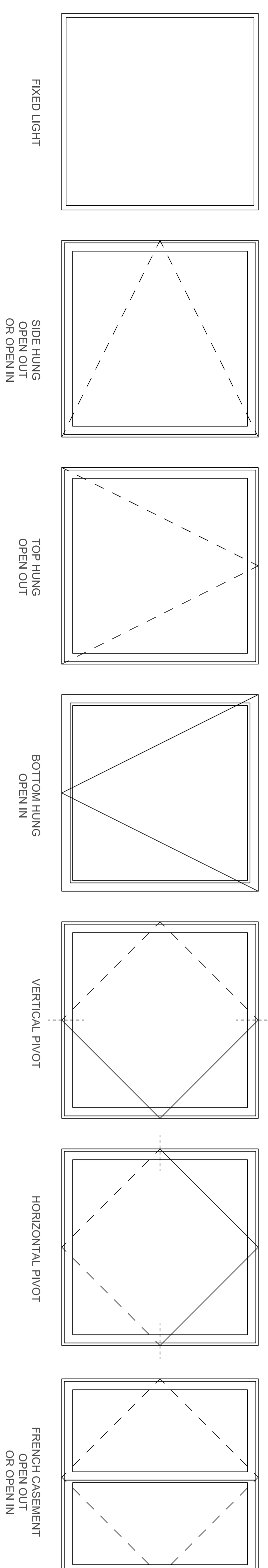
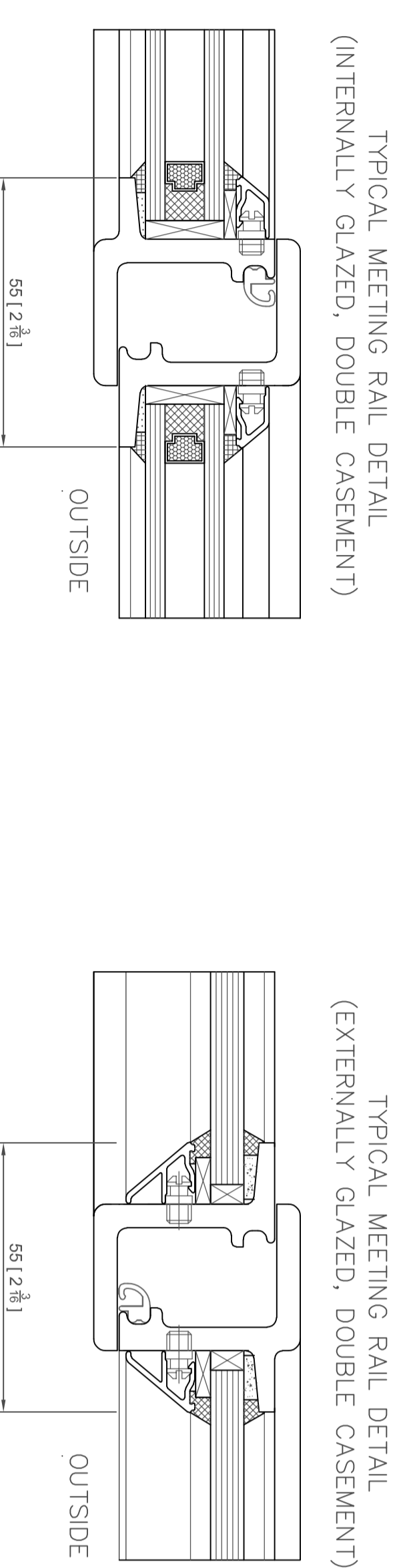


PRODUCT RANGE



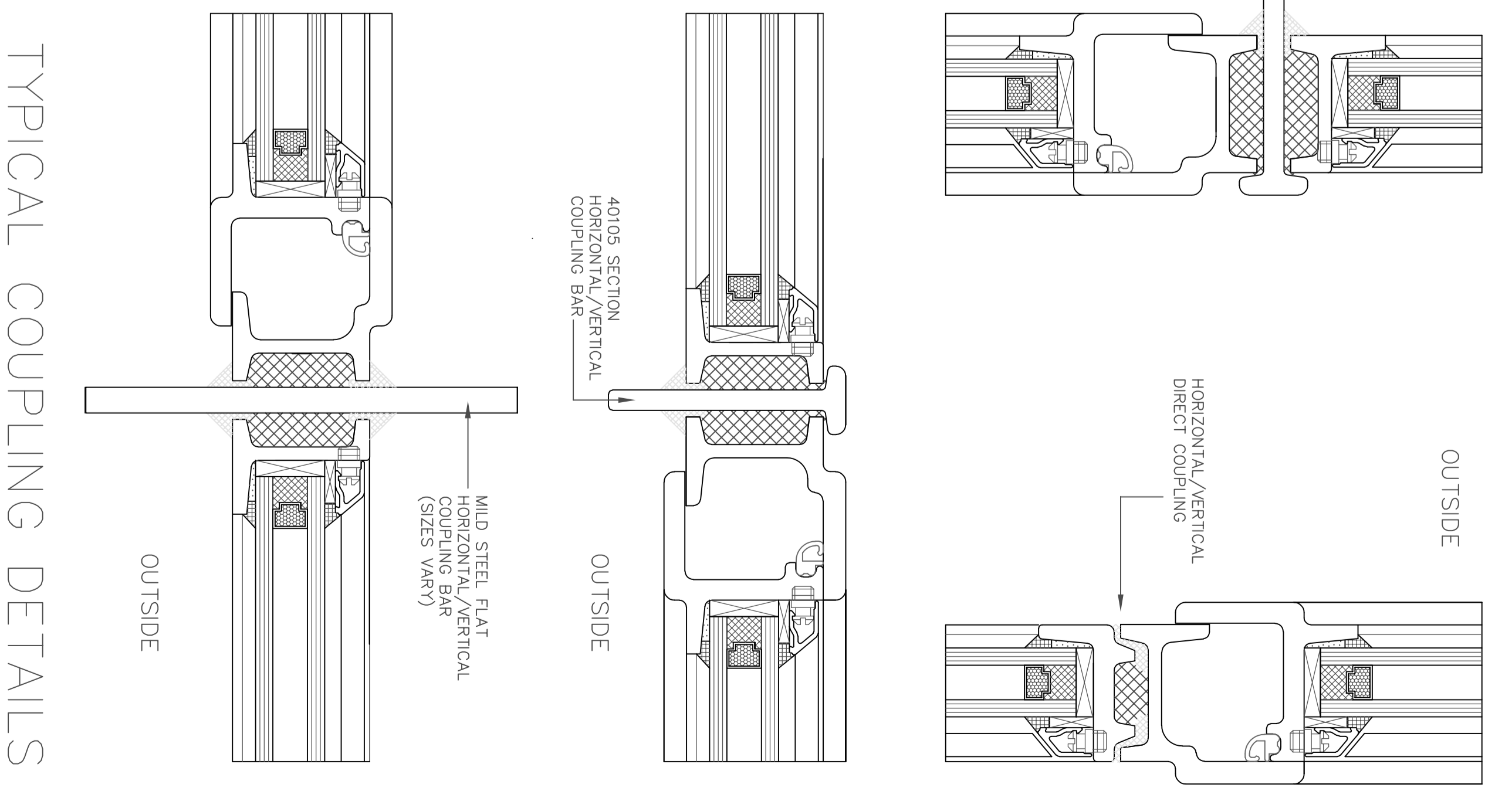
JAMB DETAILS SIMILAR TO HEAD AND CILL



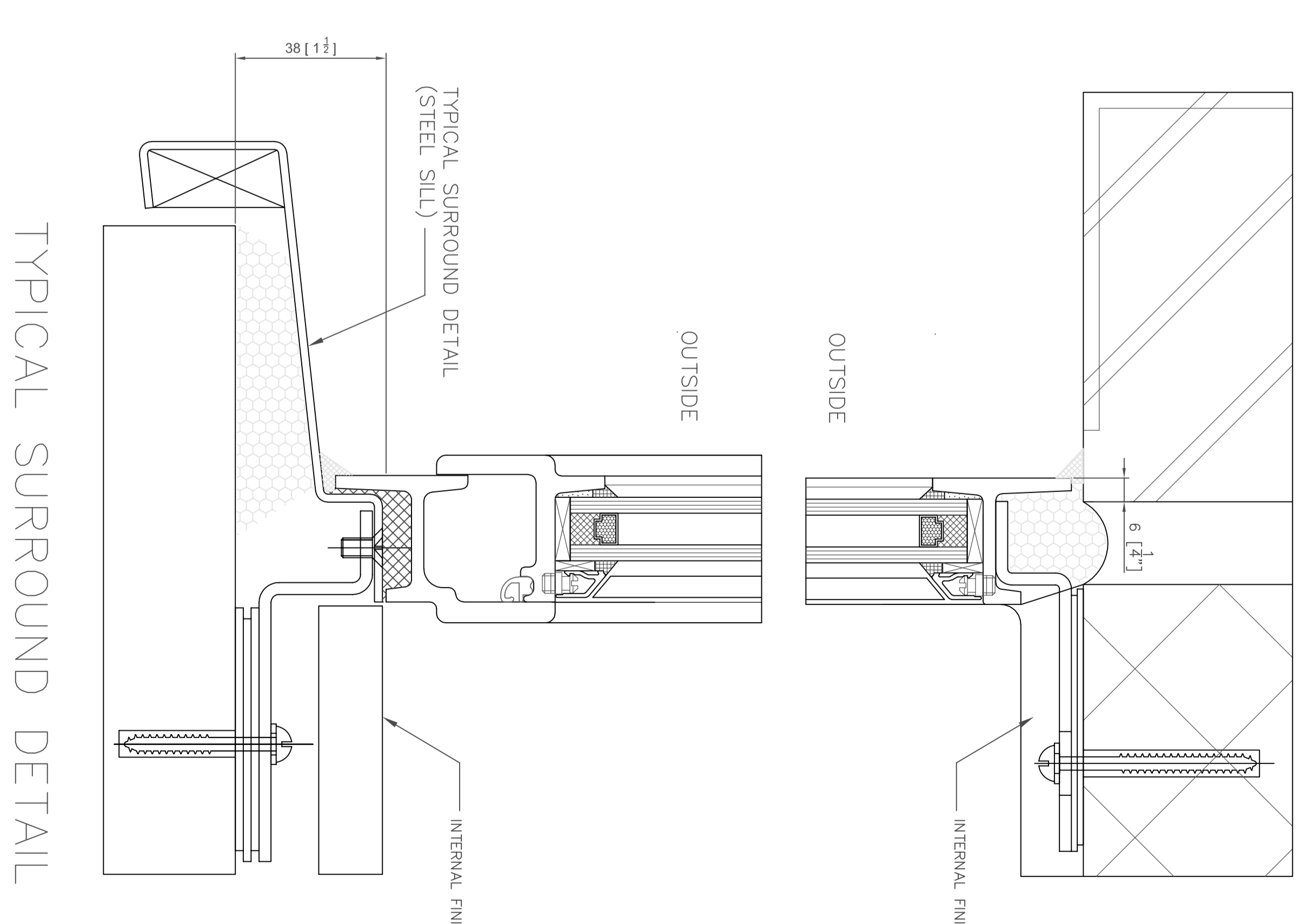
GLASS THICKNESS
UP TO 6.8mm (1/4")

GLASS THICKNESS
FROM 7.0mm (9/32")
UP TO 16.4mm (5/8")

GLAZING OPTIONS

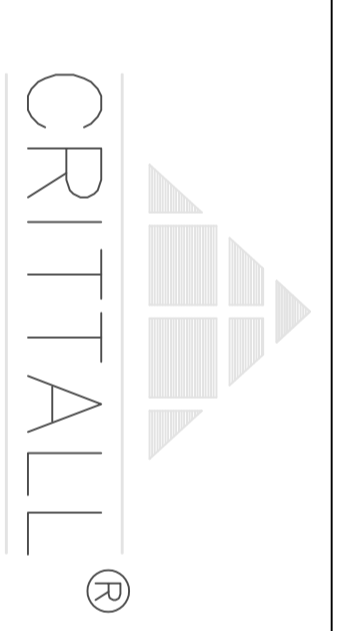


TYPICAL COUPLING DETAILS



TYPICAL SURROUND DETAIL

* NOTE: EXTERIOR GLAZED CONFIGURATION, WEATHERBAR DESIGN AND PROFILE OPTIONS ARE AVAILABLE. CONTACT CRITTALL FOR DETAILS



CRITTALL® IS A REGISTERED TRADE MARK OF CRITTALL WINDOWS LIMITED
CORPORATE™ W20 WINDOW FRAME PROFILES

REF W20 01/21