

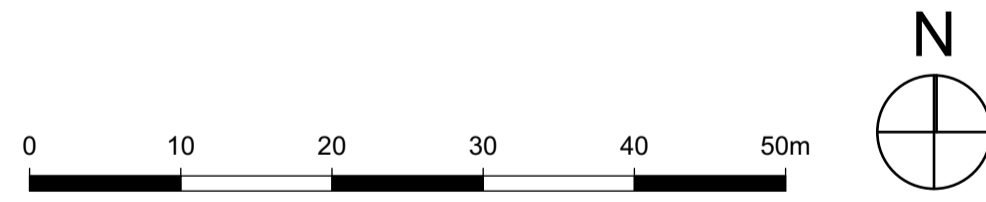
Revision:	Date:	Drawn:	Check:
A	Updated to latest site layout	10/02/2022	LKB AYA/SJD
B	Updated to latest site layout	06/04/2022	MK AYA/JER
C	Updated to latest site layout	01/07/2022	MK JER
D	Updated to latest site layout	19/07/2022	MK JER
E	Updated to latest site layout	26/07/2022	MK JER



Information here produced using topographical survey and Title Plan SK390808

For Discussion Purposes: Subject to Local Authority and Highways comments. Red Line boundary based on topographical survey and to be agreed and confirmed with Land Registry.

Layout based on information present at time of production.



Project: Church Road, Old Newton

Status: Planning

Client: Keepmoat Homes

Sheet title: **Boundary Treatment Plan**

Scale: **1:500**

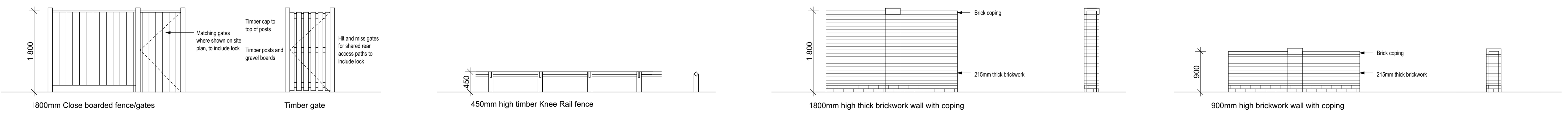
Date: 16/09/2021

Drawn: LKB

Checked: RTS

Ref: **101-427/(P)019 E**

Boundary Treatment



London | Birmingham | Leicester
 0203 27 0381 | 0121 309 9071 | 0116 204 5800
 rg-p.co.uk · design@rg-p.co.uk

All dimensions to be checked on site. Do not scale off this drawing for construction purposes. This drawing is the copyright of the Architect, and not to be reproduced without their permission. Ordnance Survey map information reproduced with permission of HMSSO Crown Copyright reserved. rg+p Ltd. Trading as rg+p.