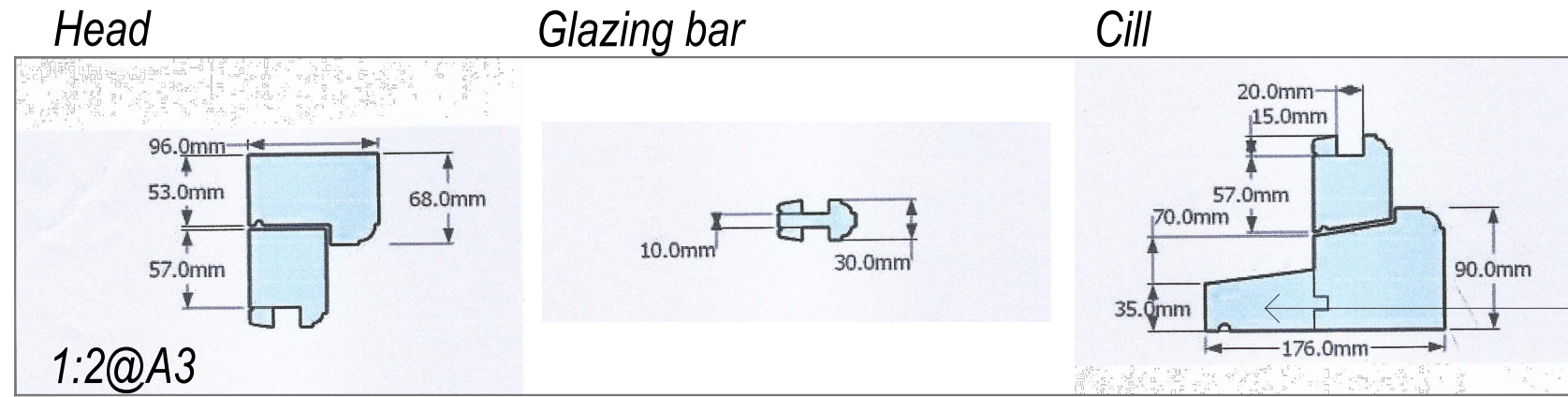
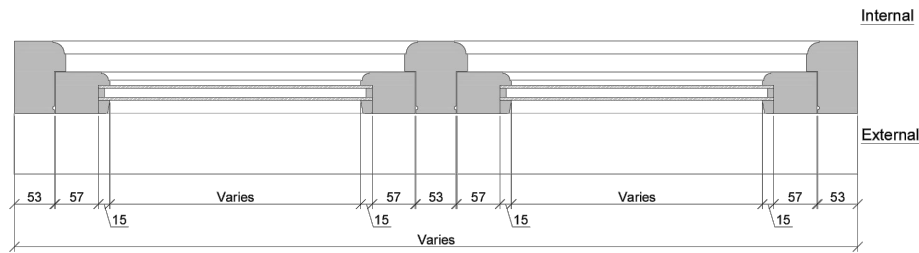


WINDOW DETAILS Scale as noted

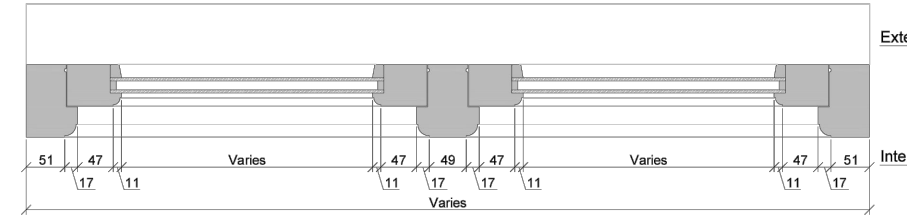
General Notes:  
DO NOT SCALE FROM THIS DRAWING.  
WORK TO FIGURED DIMENSIONS ONLY



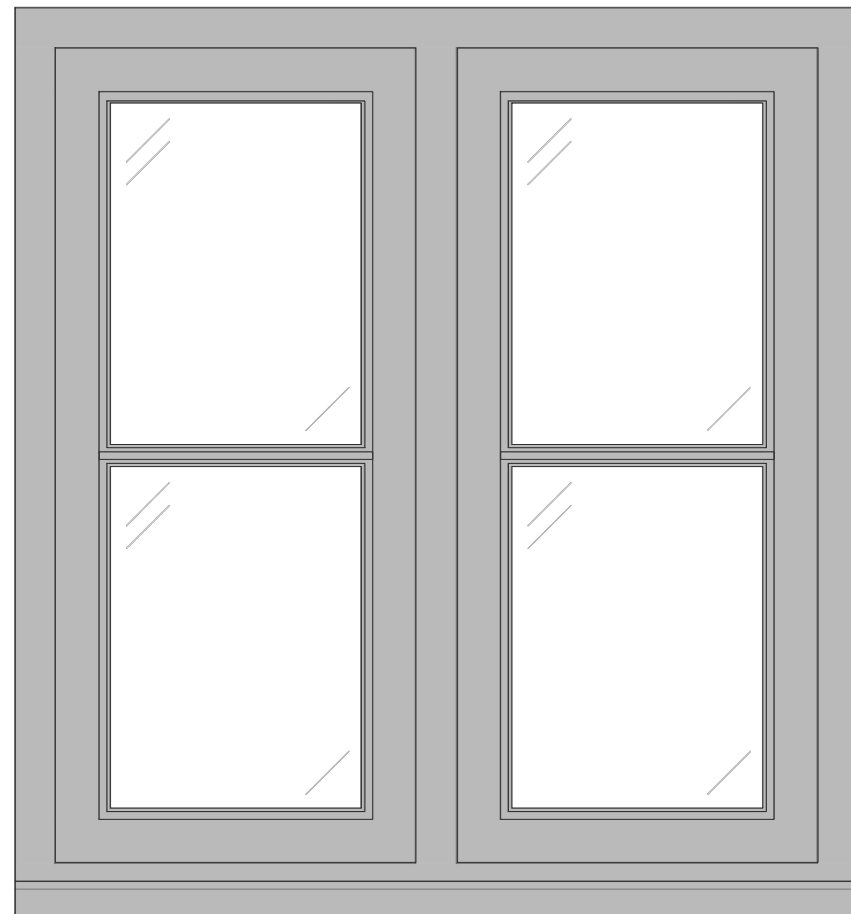
NOTE A STONE CILL IS PROPOSED TO GROUND FLOOR REPLACEMENT WINDOWS



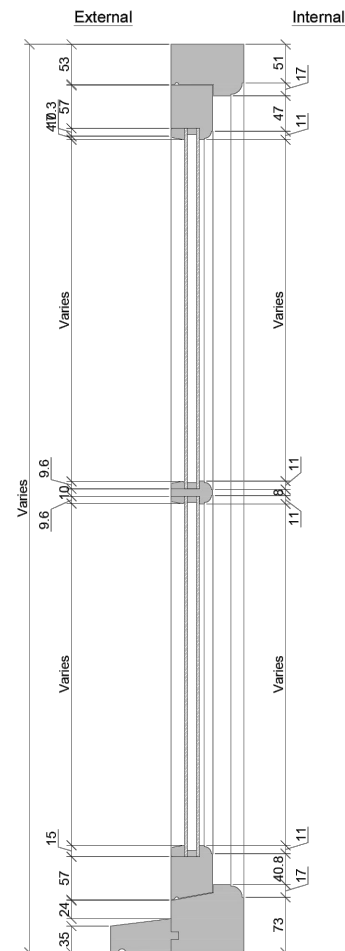
TYPICAL HORIZONTAL SECTION



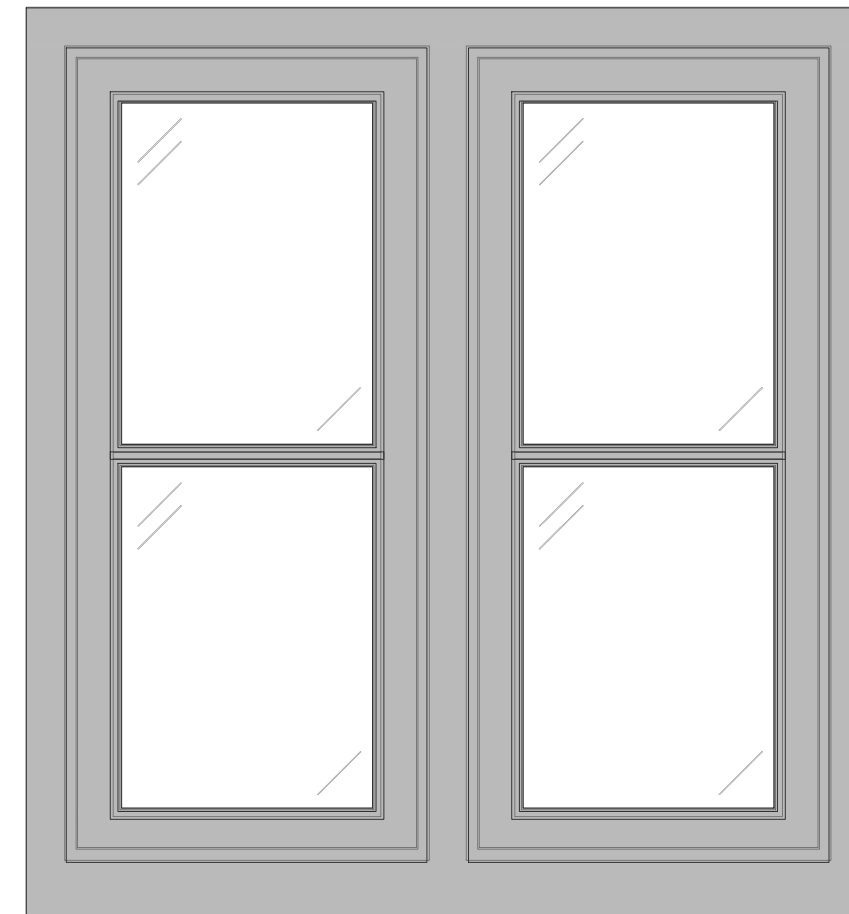
TYPICAL HORIZONTAL SECTION



TYPICAL EXTERNAL ELEVATION



TYPICAL VERTICAL SECTION



TYPICAL INTERNAL ELEVATION

1:10@A3

DRAWINGS REPRODUCED FROM  
ALEXANDER JAMES  
DRAWING ISSUE FOR APPLICATION  
21/02122/FUH

Church Gate Cottage

Rev:	Details:	By / Chk:	Date:
<b>Airewas architecture</b>			
Mellor Barns • 8 Park Road • Airewas • DE13 7AG M +44 (0)7754 191670 • D.giancy@airewasarchitecture.com			
Client: <b>MR &amp; MRS EVANS</b>			
Project: <b>CHURCH GATE COTTAGE ELFORD</b>			
Drawing Title: <b>JOINERY DETAILS</b>			
Scale:	AS NOTED	@ A3	
Status:	PLANNING		
This drawing is copyright of Airewas Architecture Ltd. Do not scale from this drawing - Refer to figured dimensions only. Contractor to notify Airewas Architecture of any discrepancies or site variations immediately.			
<b>0516 -07</b>			<b>X</b>