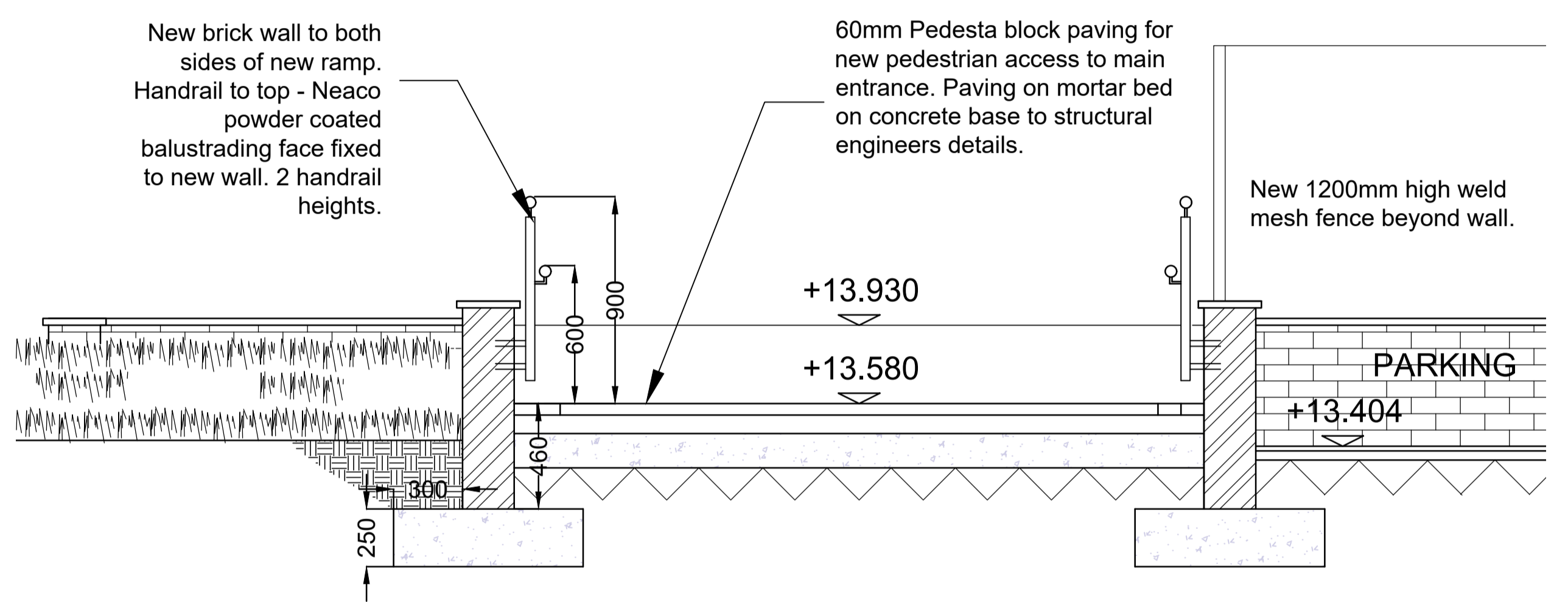
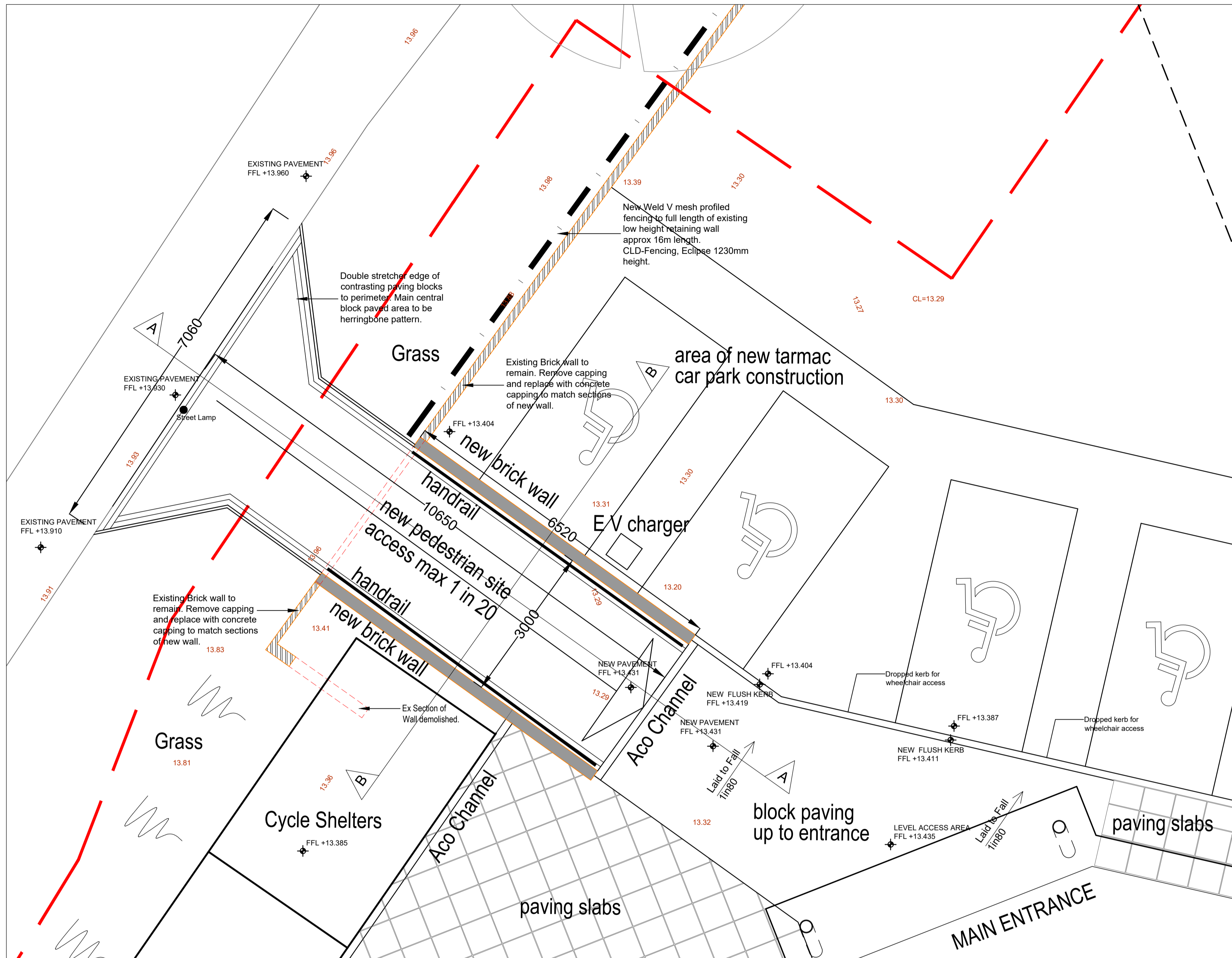


EXTERNAL WORKS DETAILS

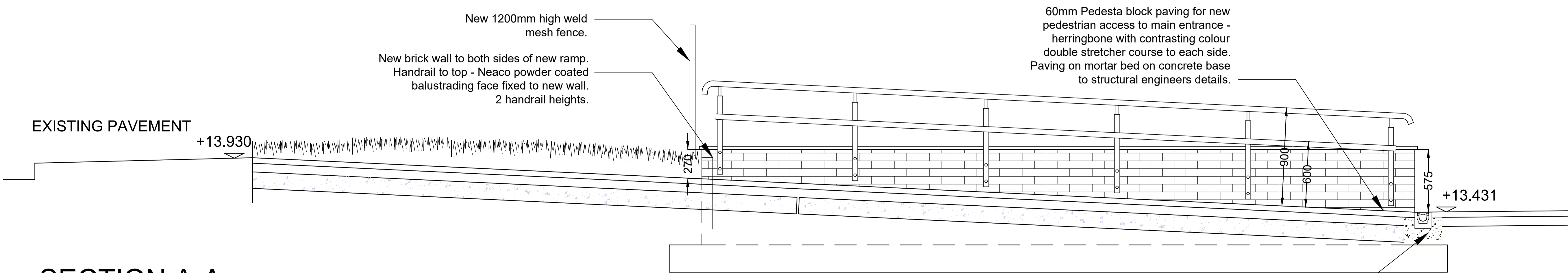
All dimensions must be checked on site and not scaled from this drawing

RESIDUAL DESIGN RISKS- CDM REGS ARE IDENTIFIED WITH THIS SYMBOL SEE DESIGN RISK SHEET OR LAYOUT

REVISION NOTES



SECTION B-B



SECTION A-A

Rev	Date	Revision	By

CITY OF YORK COUNCIL
 Property Services
 CBSB
 West Offices
 Station Rise
 York YO1 6GA

Contact:
 Tel No:
 FAX No:
 Email:

Job Title
**CLIFTON EXPLORE LIBRARY
 LEARNING CENTRE**

**EXTERNAL WORKS DETAILS
 RAMP TO MAIN ENTRANCE**

Drawn: VG Checked: AT Authorised:

Date: JAN 2023 Scale: A1
 1:50 & 1:20

Issue Status:
TENDER

Drawing Number: **200043.T140-2** Revision: