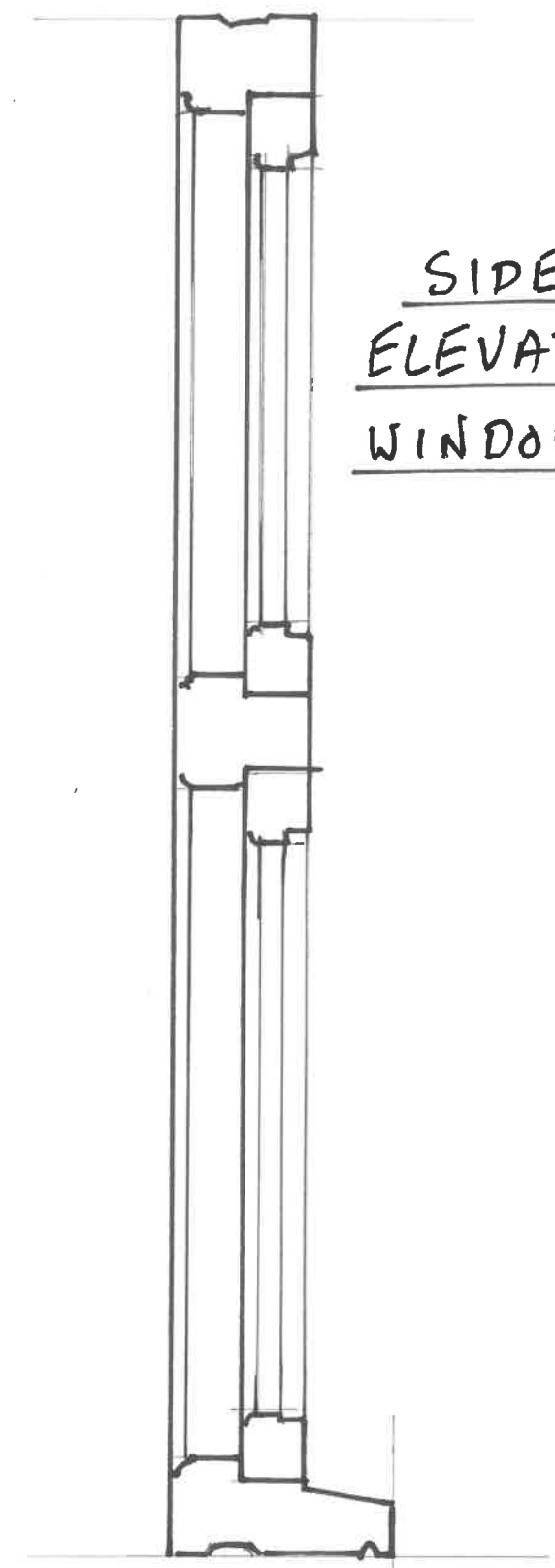
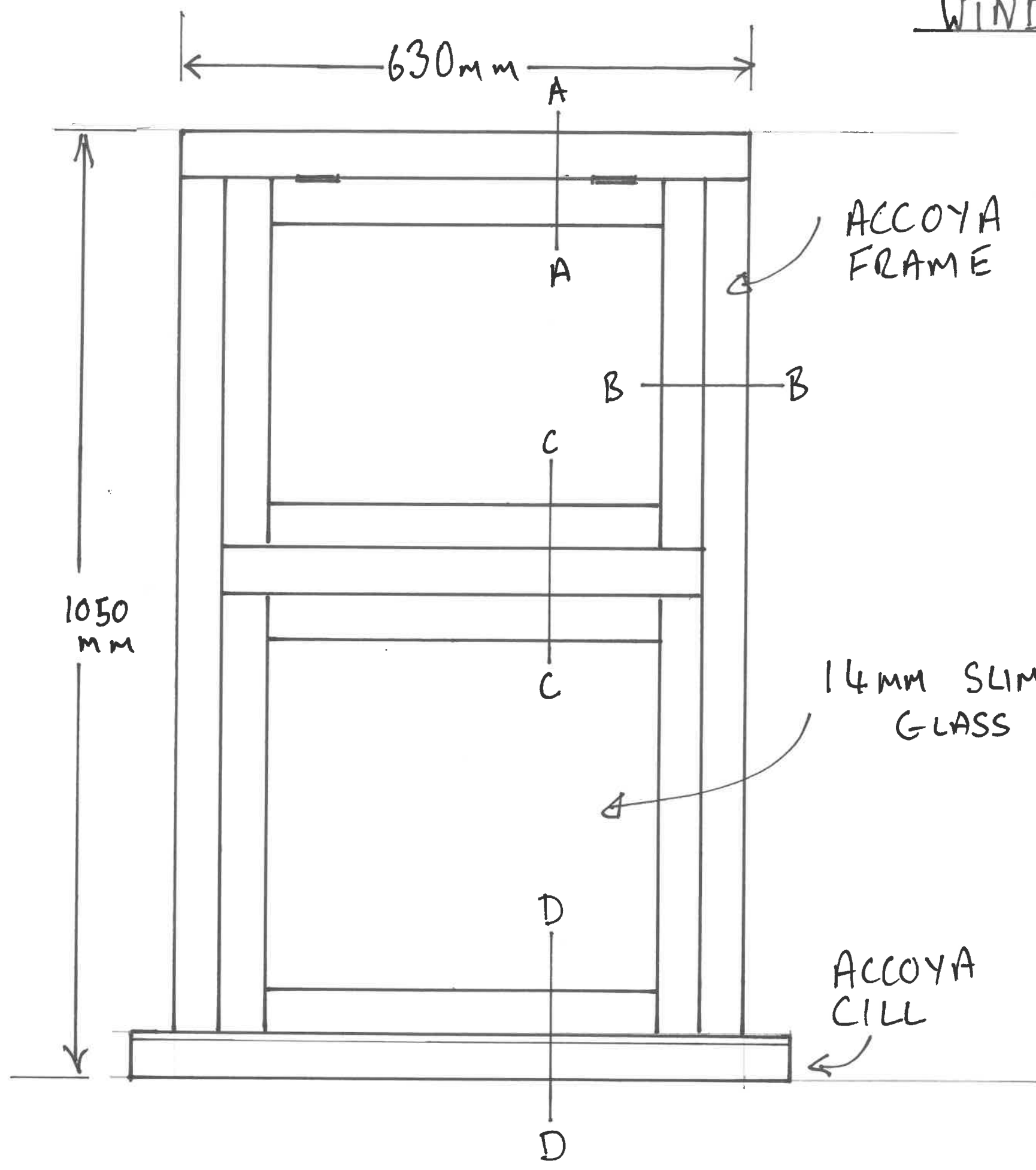
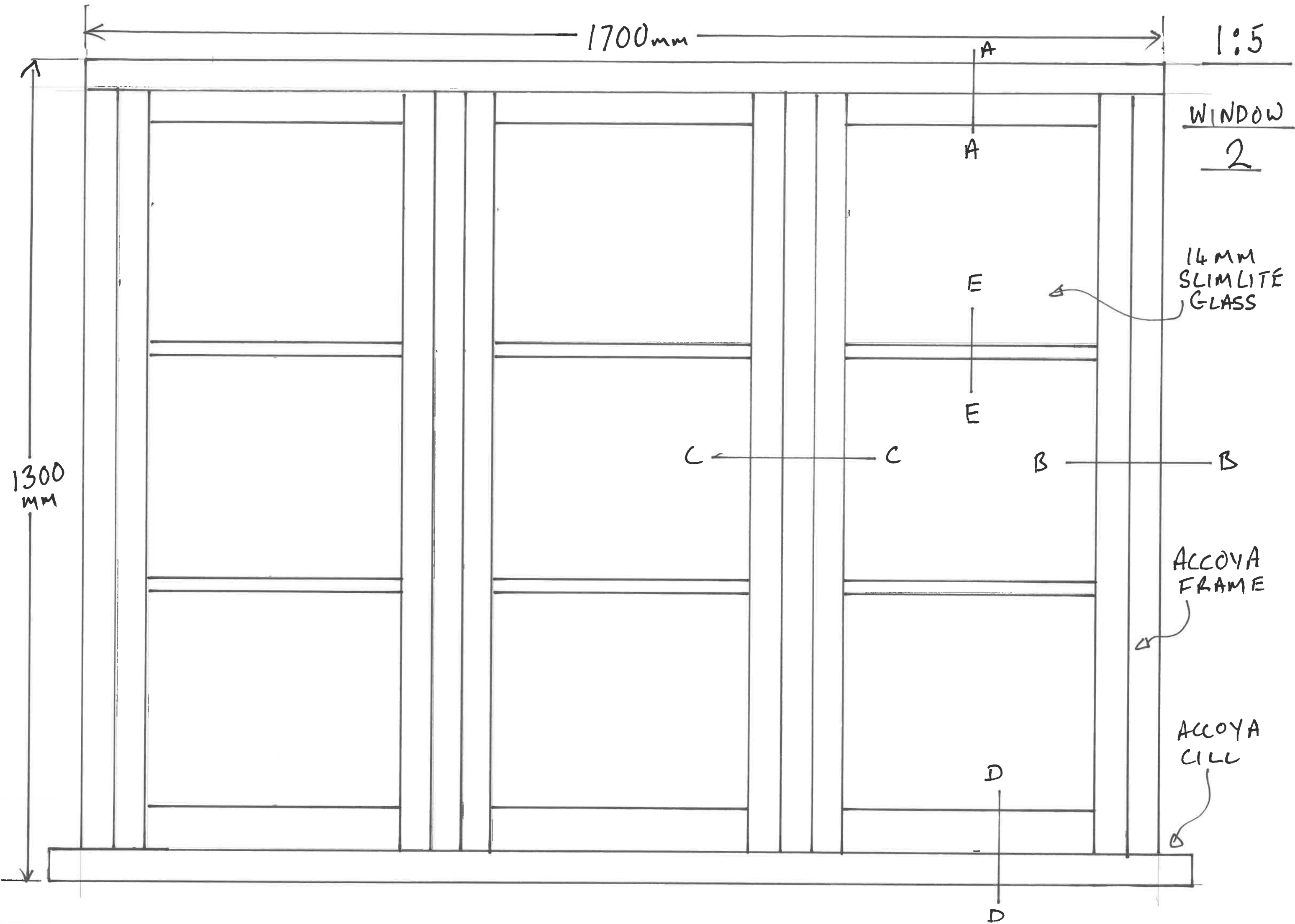


WINDOW 1

1:5



SIDE
ELEVATION
WINDOW 1



1700 mm

1:5

WINDOW
2

14 MM
SLIMLITE
GLASS

1300
mm

ACCOYA
FRAME

ACCOYA
CILL

A

A

E

E

C

C

B

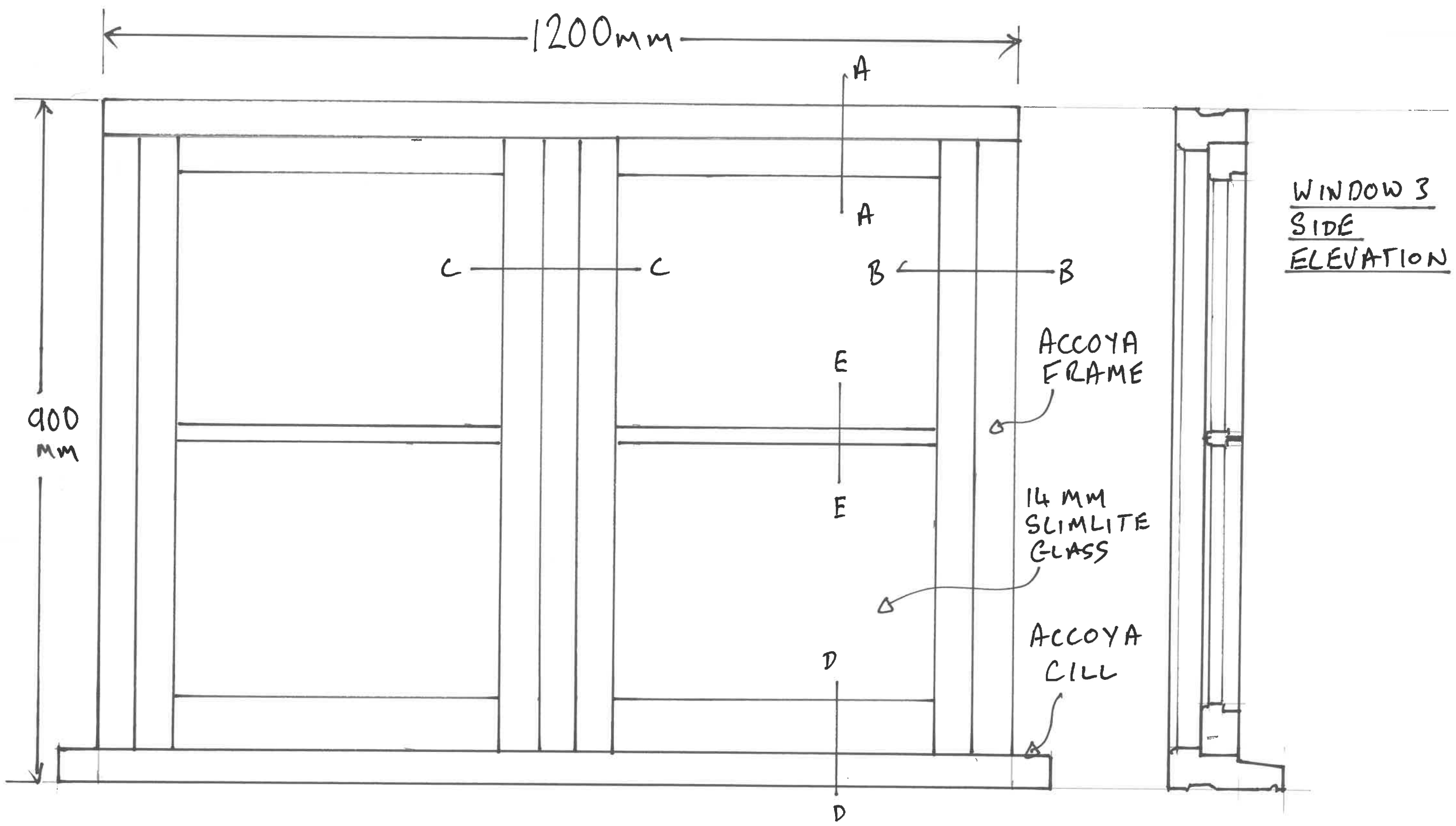
B

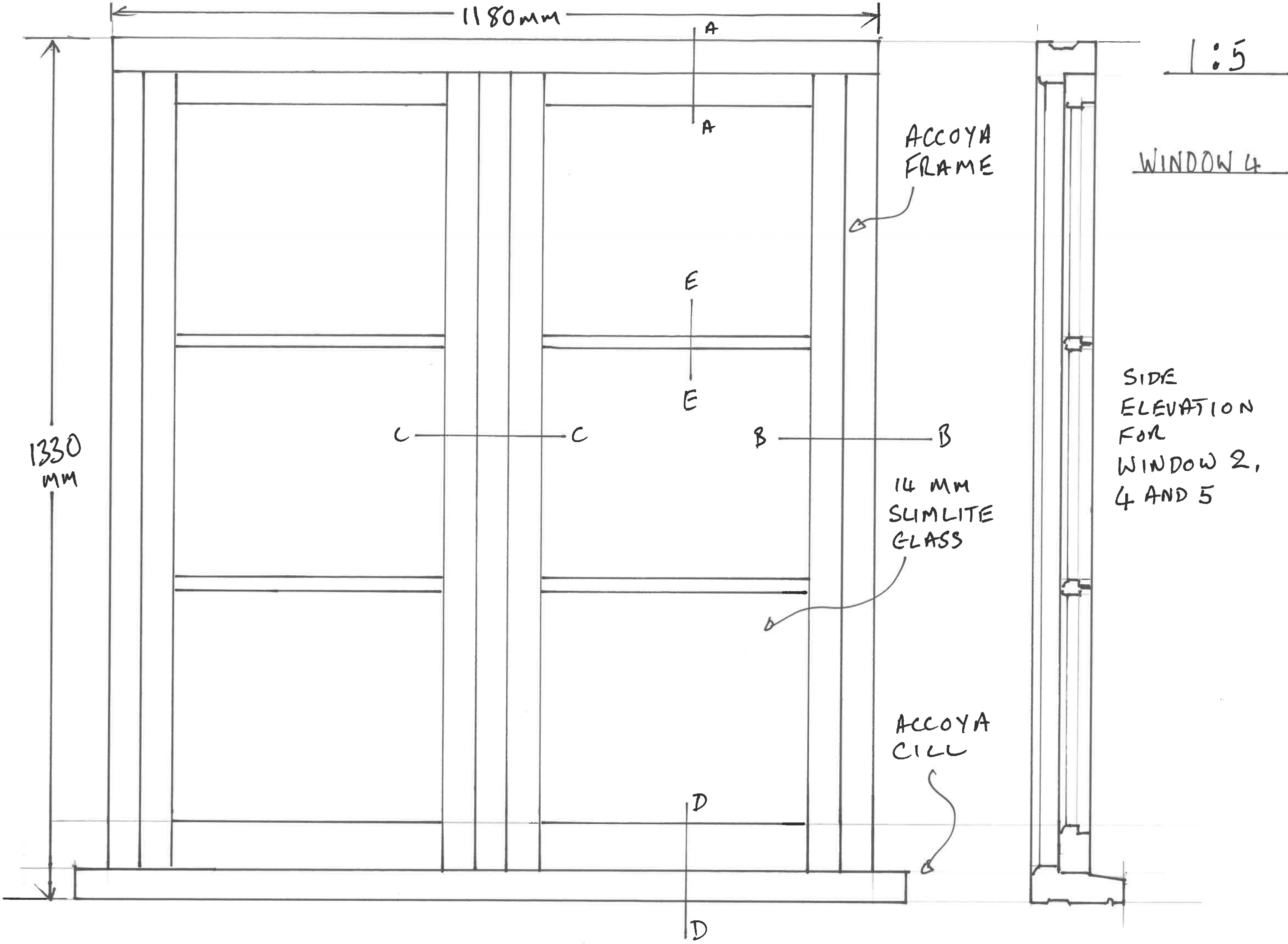
D

D

WINDOW 3

1:5





1180mm

A

A

E

E

C

C

B

B

1330
mm

ACCOYA
FRAME

14 MM
SMLITE
GLASS

ACCOYA
CILL

D

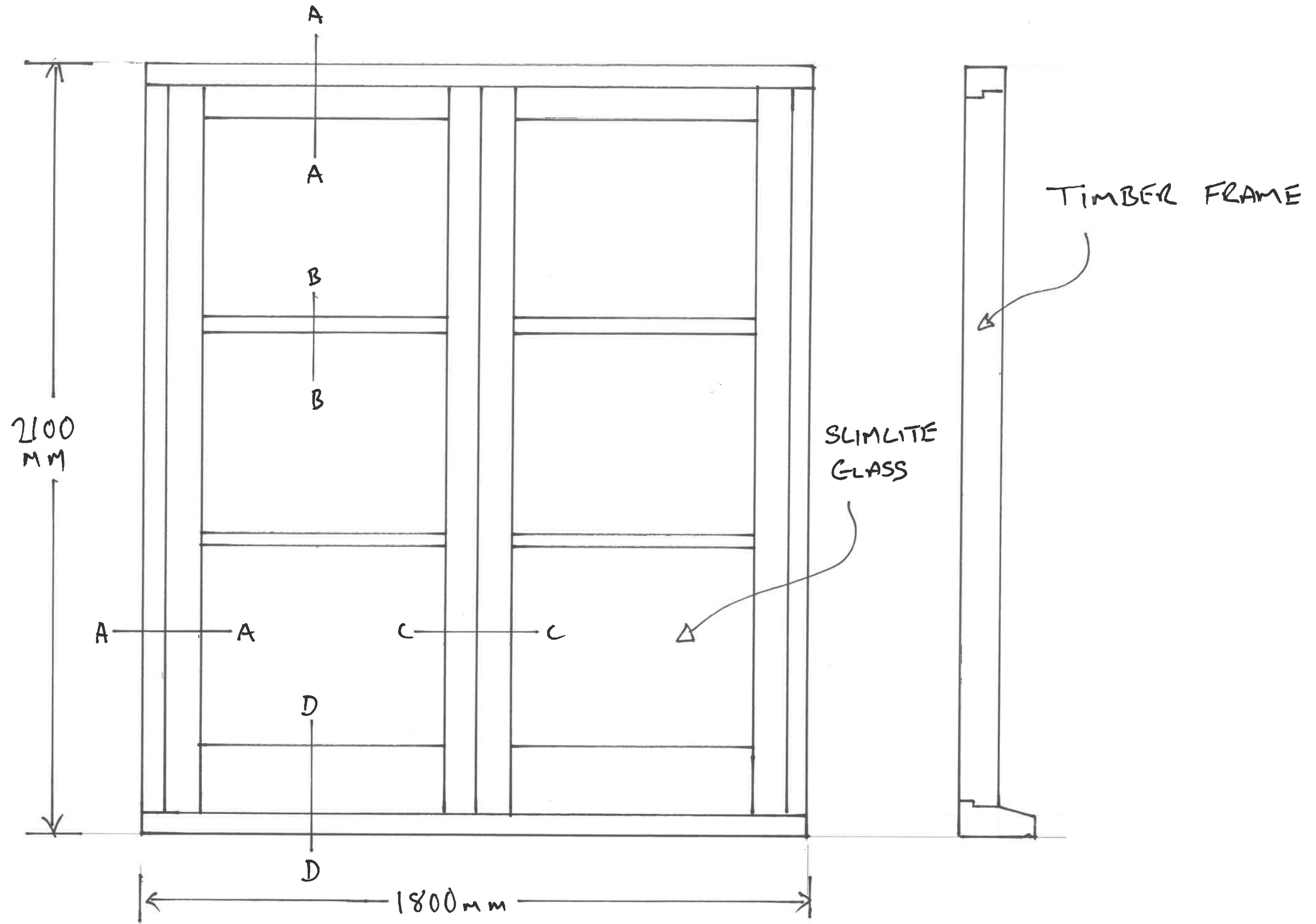
D

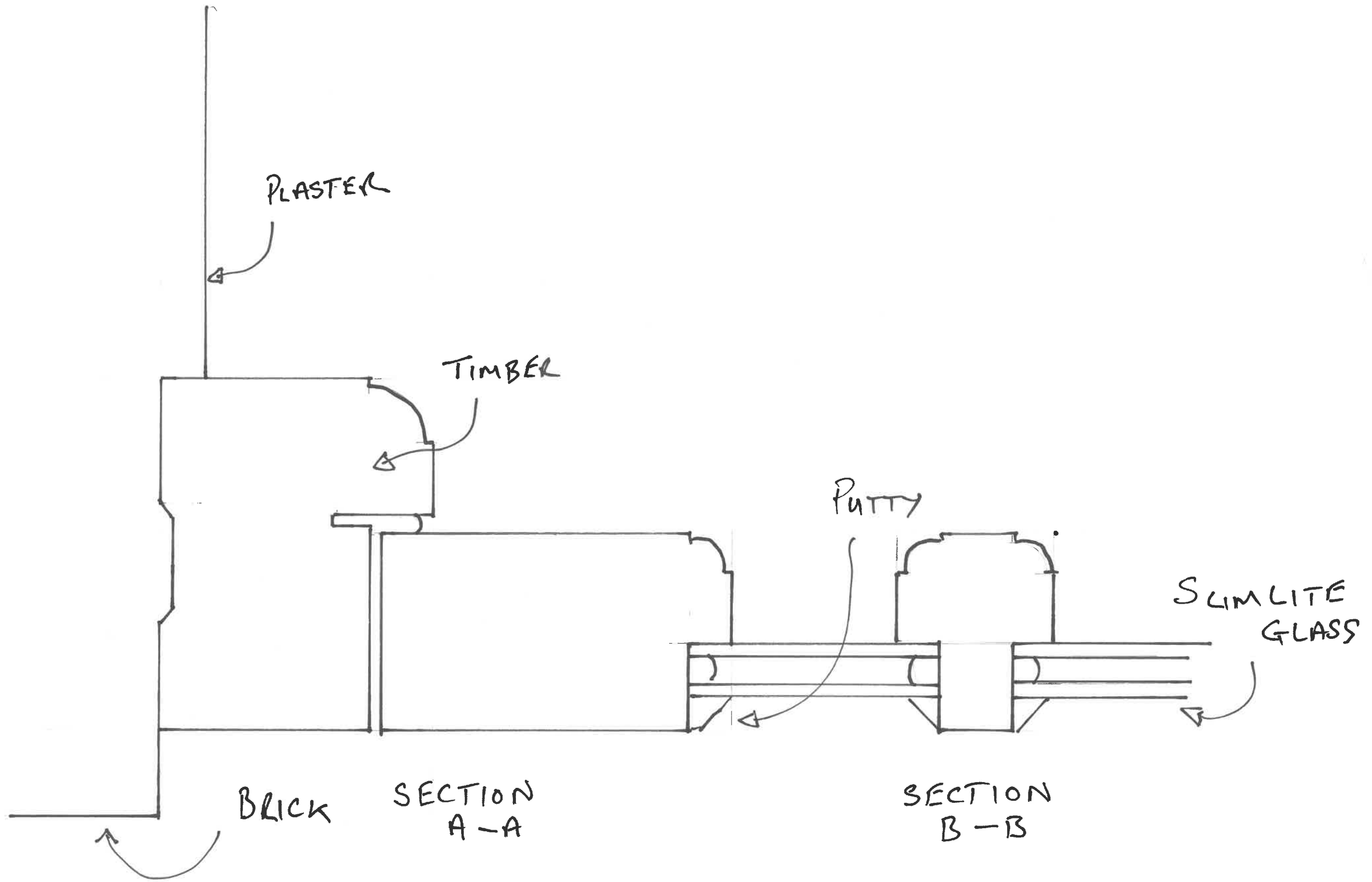
1:5

WINDOW 4

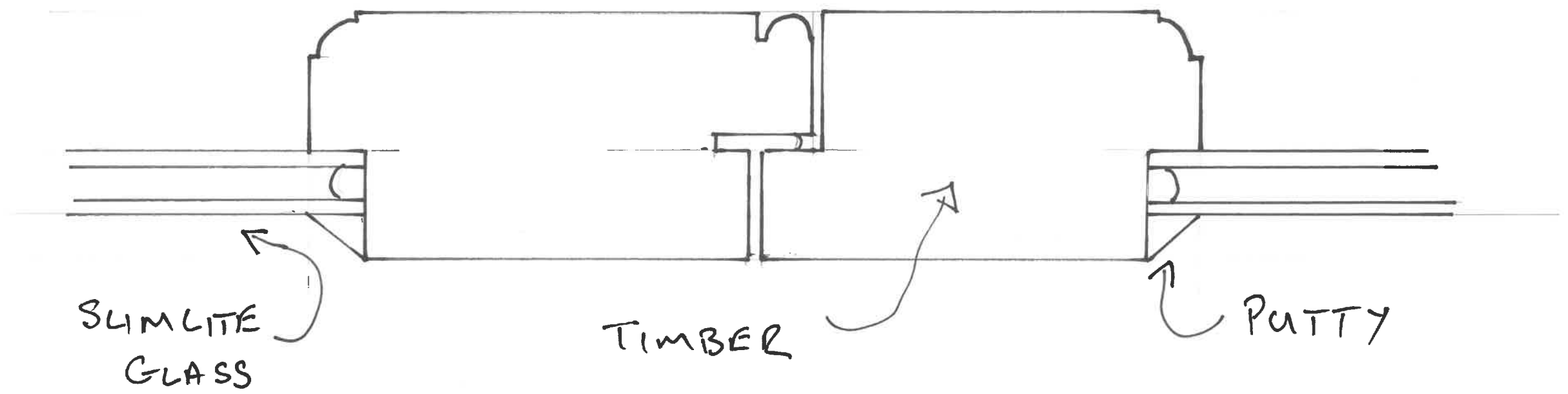
SIDE
ELEVATION
FOR
WINDOW 2,
4 AND 5

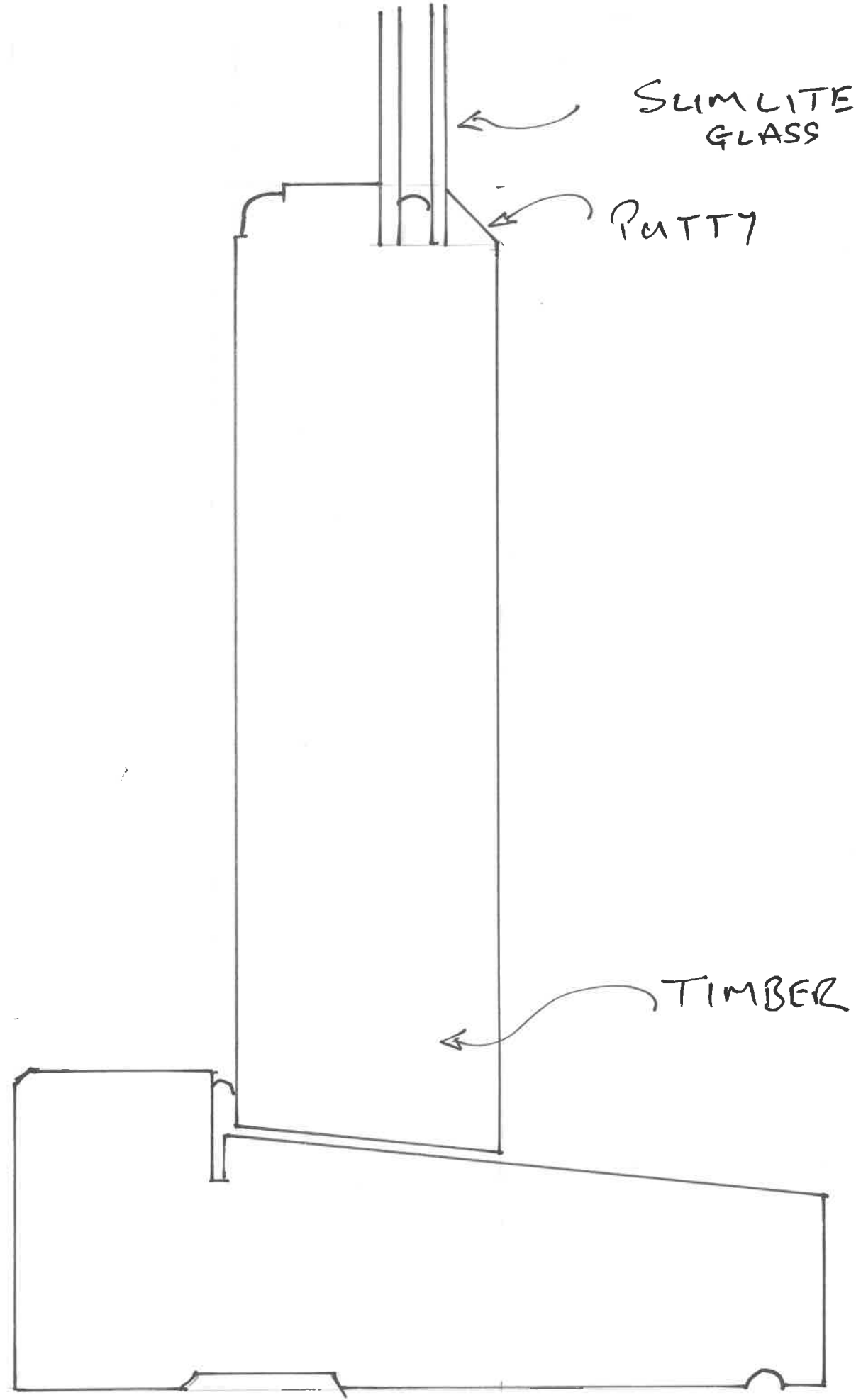
SCALE 1:10





SECTION D-D





1:1

SECTION D-D