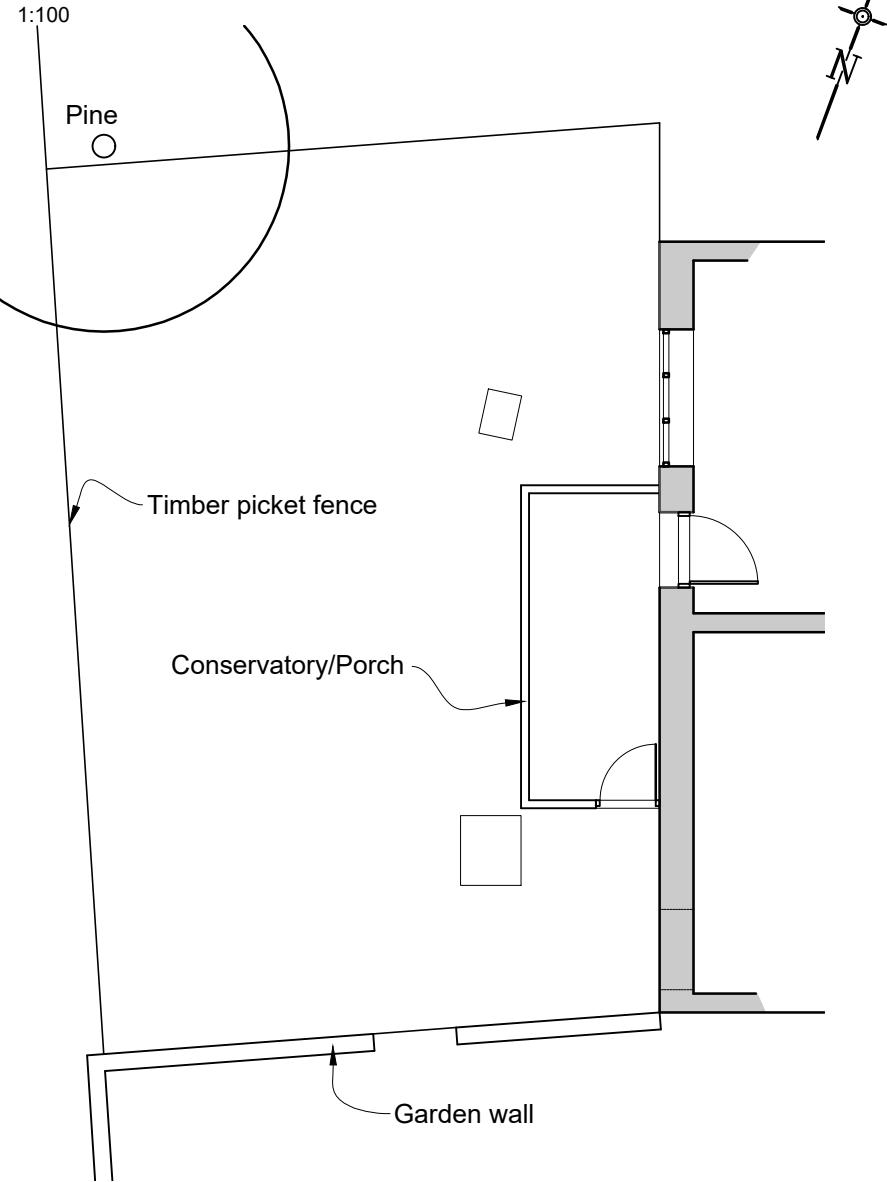
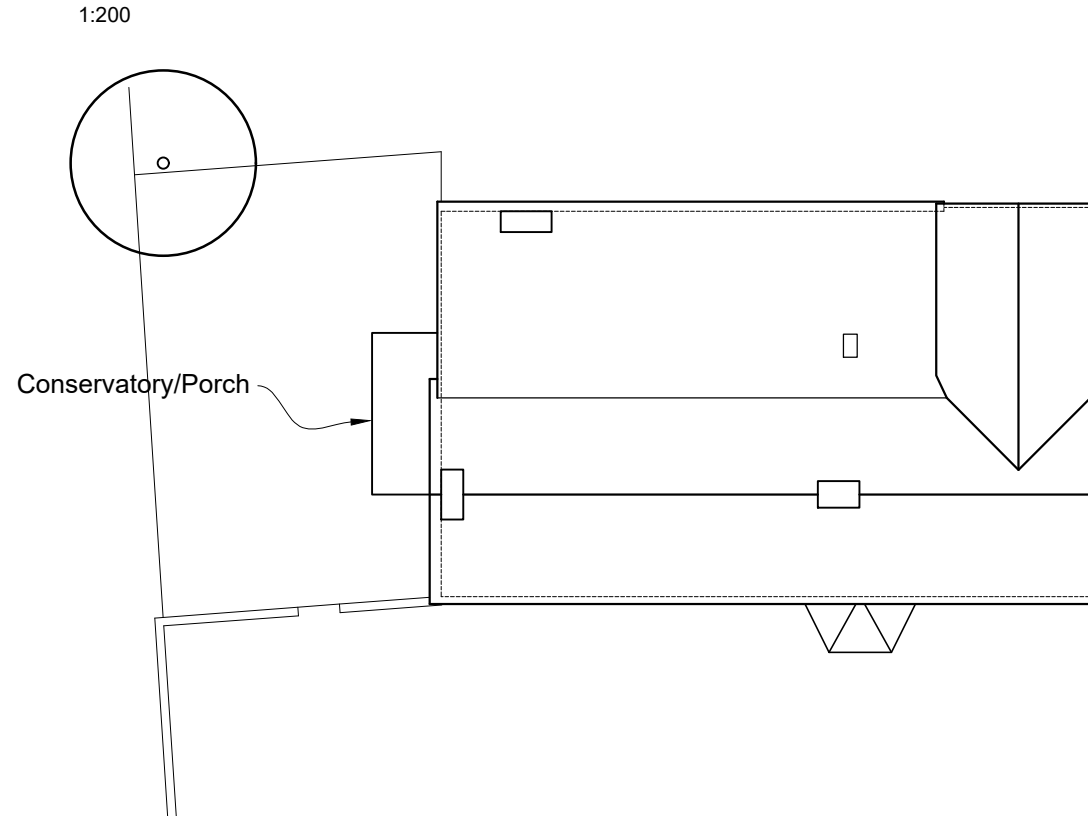


PART GROUND FLOOR PLAN



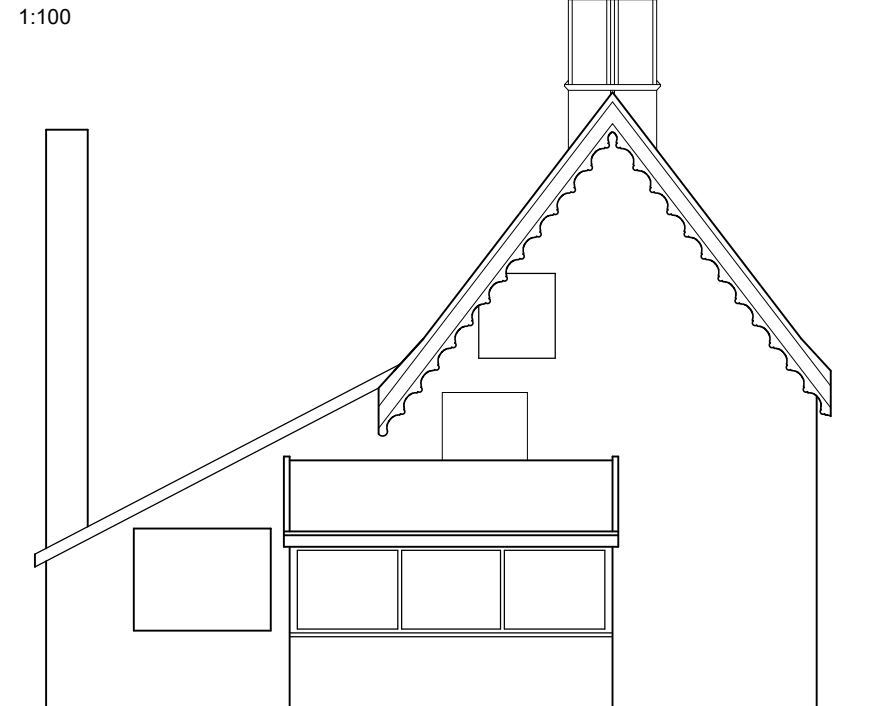
BLOCK/ROOF PLAN



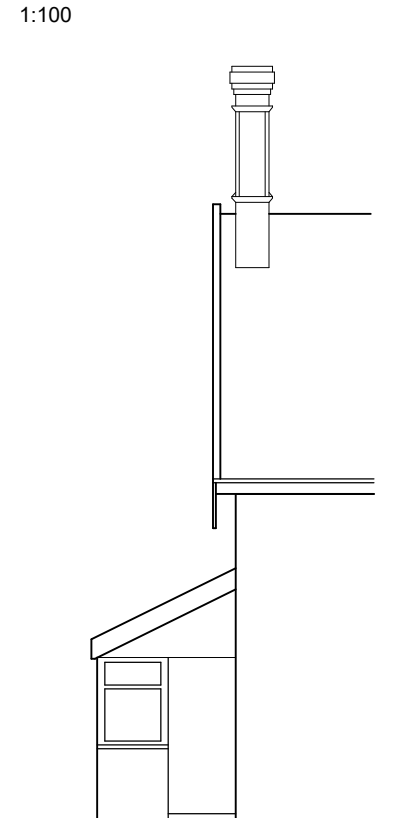
EXISTING BUILDING



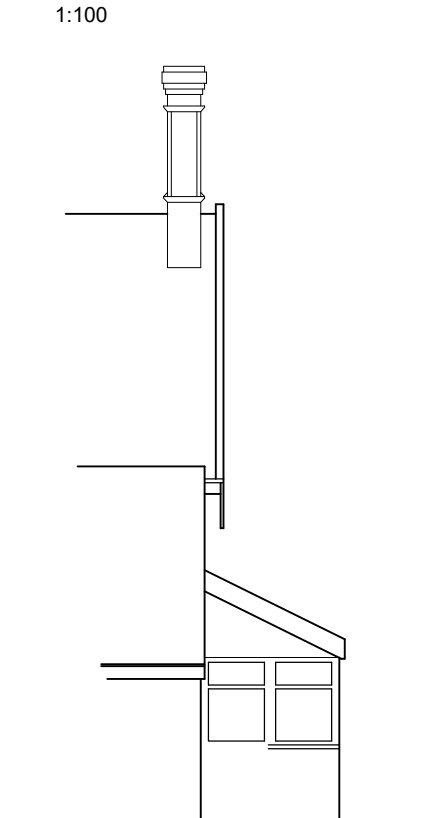
WEST ELEVATION



SOUTH ELEVATION



NORTH ELEVATION



100mm full size

Stage PLANNING	Status
Revisions	

Architectural Management
 Architecture & Heritage Consultants 07508 705450
 www.architecturalmanagement.co.uk

Client Mrs J Faulds
 Project Coles Green Farmhouse, Washbrook.
 Replacement Porch
 Drawing Existing Plans and Elevations
 Project No. 221104 Drawing No. 02
 Date April 2023 Scale as noted @ A3