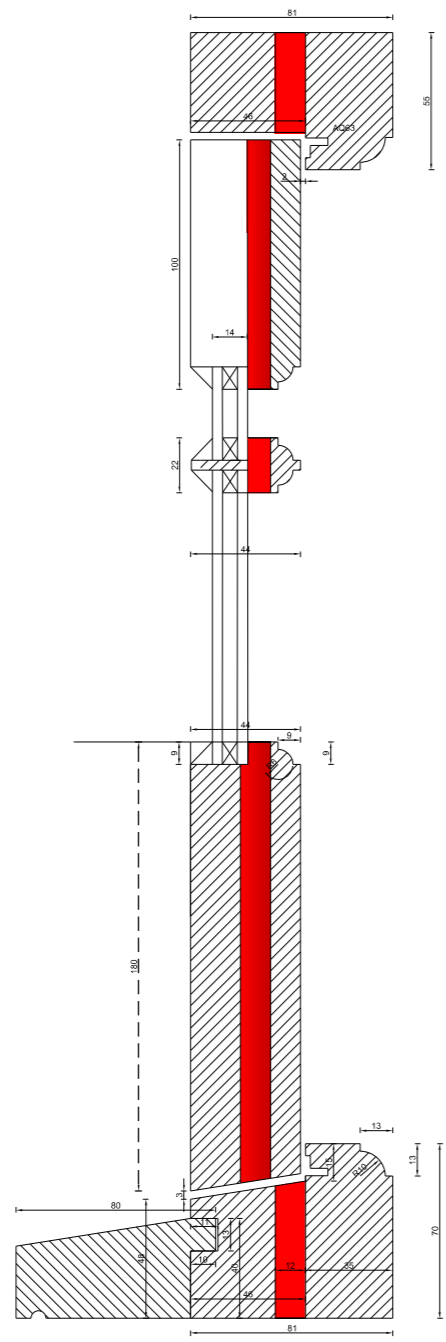
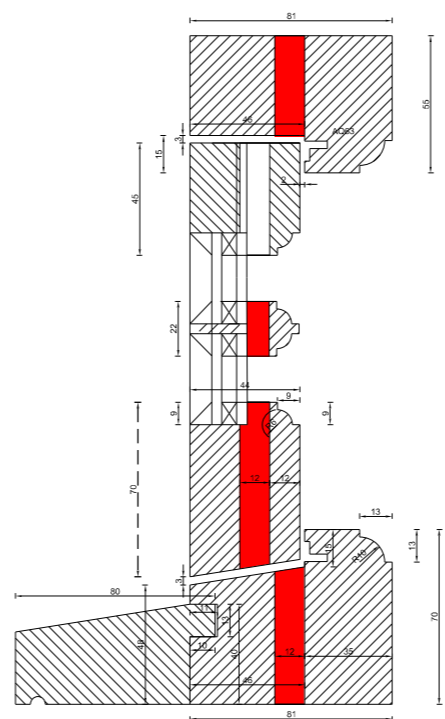


Proposed Window & Door Sections  
 Project : Church Lane Cottages  
 Client : Peter King



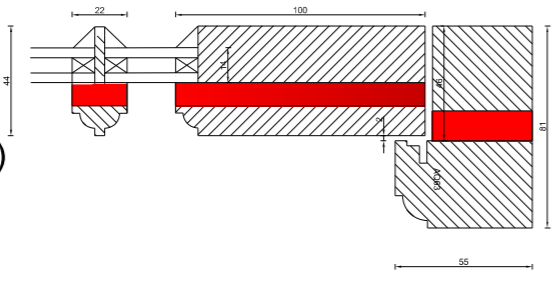
14mm Slim  
sight line  
double glazed  
units fitted with  
face putty

Double Door( Vert)  
Head and Cill section

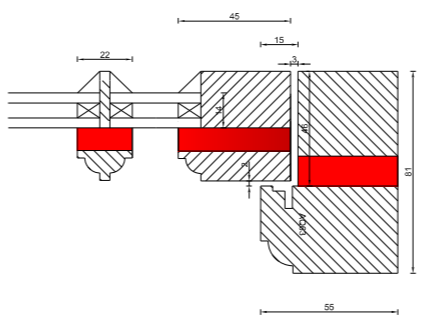


14mm Slim  
sight line  
double glazed  
units fitted with  
face putty

Flush casment (Vert)  
Head and Cill section



Double Door (Hor)  
Jamb section



Flush casment (Hor)  
Jamb section

Proposed Window & Door Sections  
Project : Church Lane Cottages

Client : Peter King