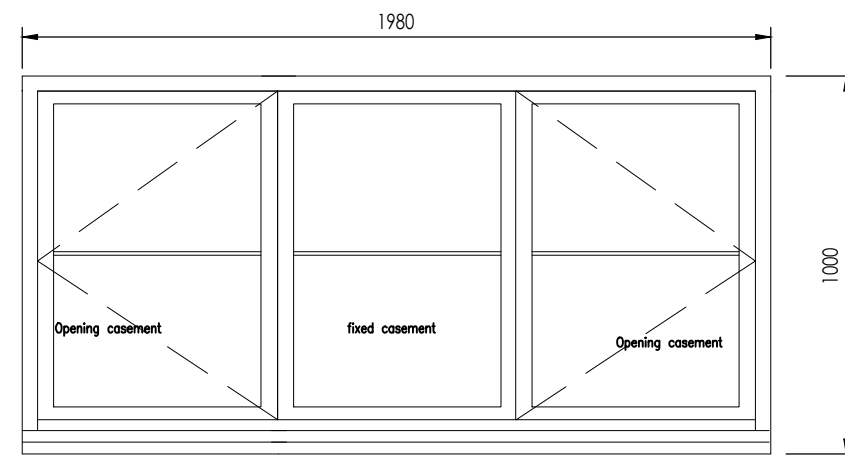
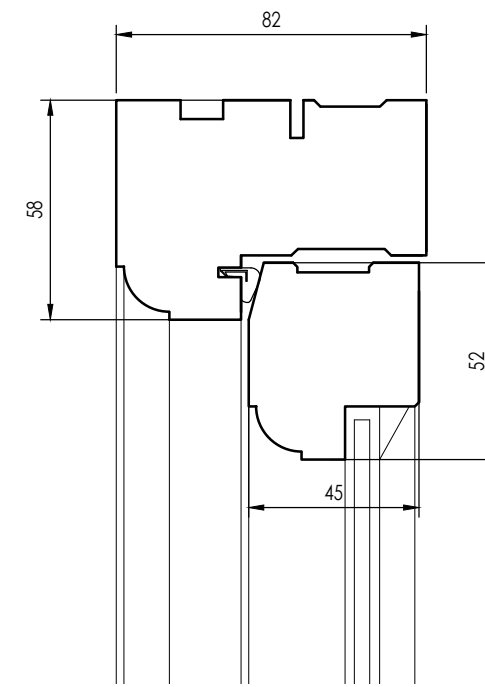
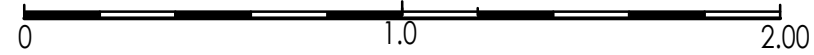


Elevation – WINDOW A

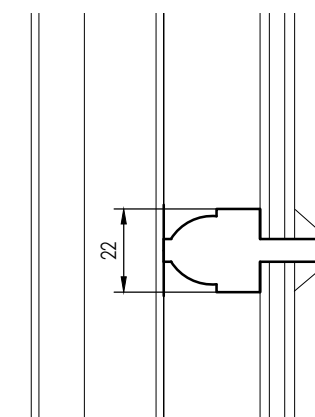


Elevation – WINDOW B

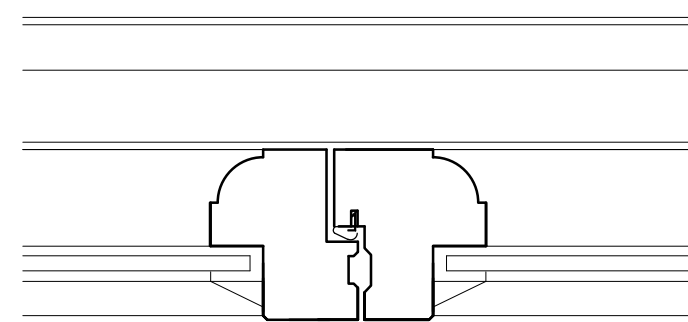
Scale 1:20 (m)



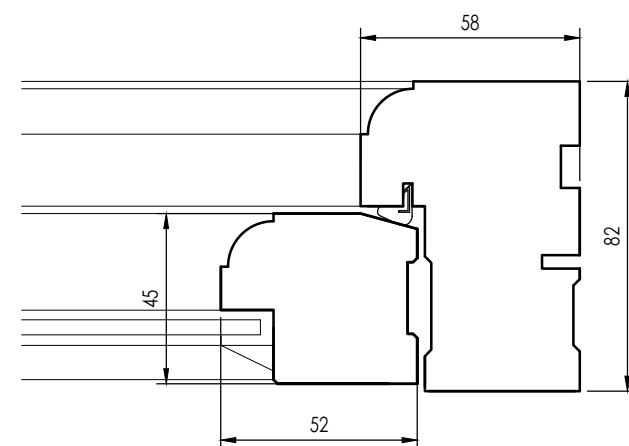
Head



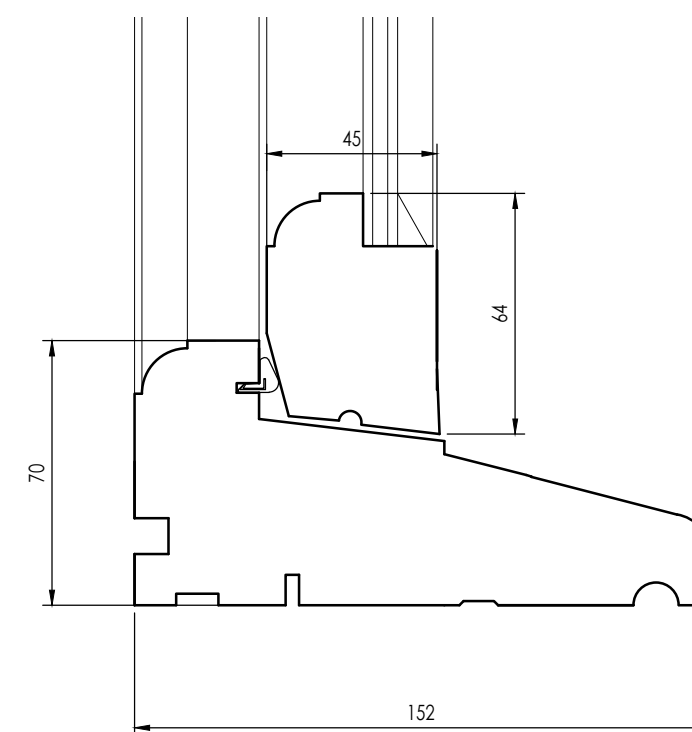
Glazing Bar



Meeting stile



Sash stile and frame jamb



Cill

Scale 1:2 (mm)



All new frames to be painted treated joinery quality softwood, sized to fit existing structural openings

Allow for weather seals and proprietary capillary grooves. Those shown illustrative only.

Windows glazed with 14mm 'Slimlite' double glazed units set in putty strictly to manufacturers recommendations

**Whymark & Moulton**  
 Chartered Surveyors &  
 Building Engineers  
 14 Cornard Road, Sudbury,  
 Suffolk. CO10 2XA  
 Tele: 01787 371371

Project **1 STOTTS COTTAGE  
 CROSS STREET  
 DRINKSTONE**

**REPLACEMENT WINDOWS DETAILS –  
 BATHROOM AND KITCHEN**

Scale **1:2, 1:20** Date **May 2023**

Drawing No **23/064-02**

Amendments