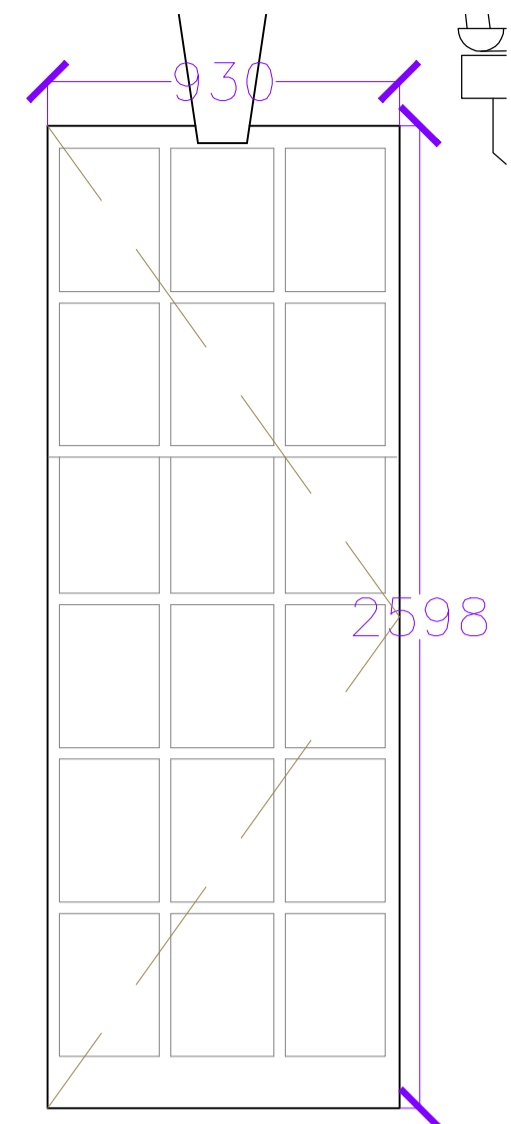
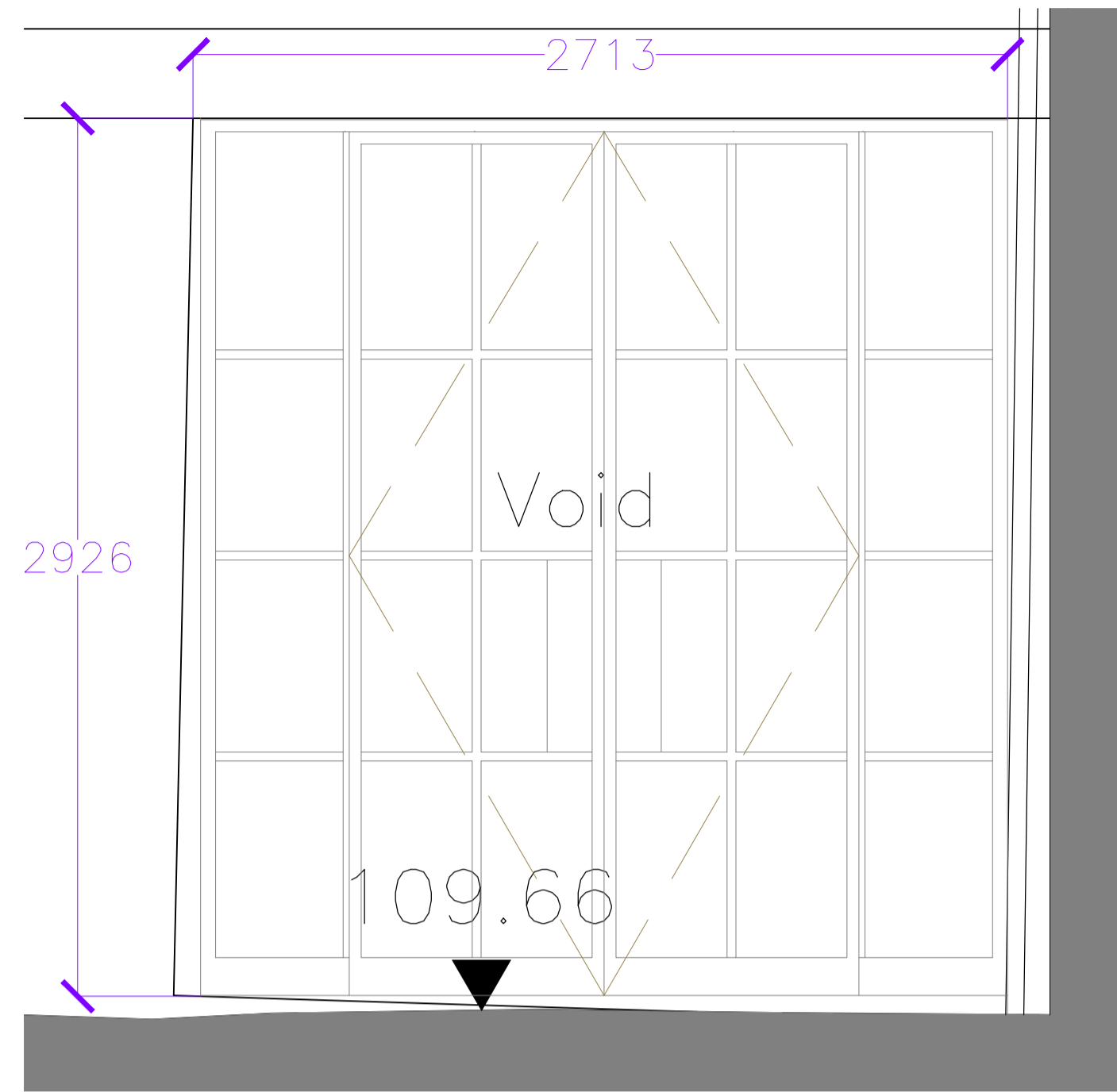


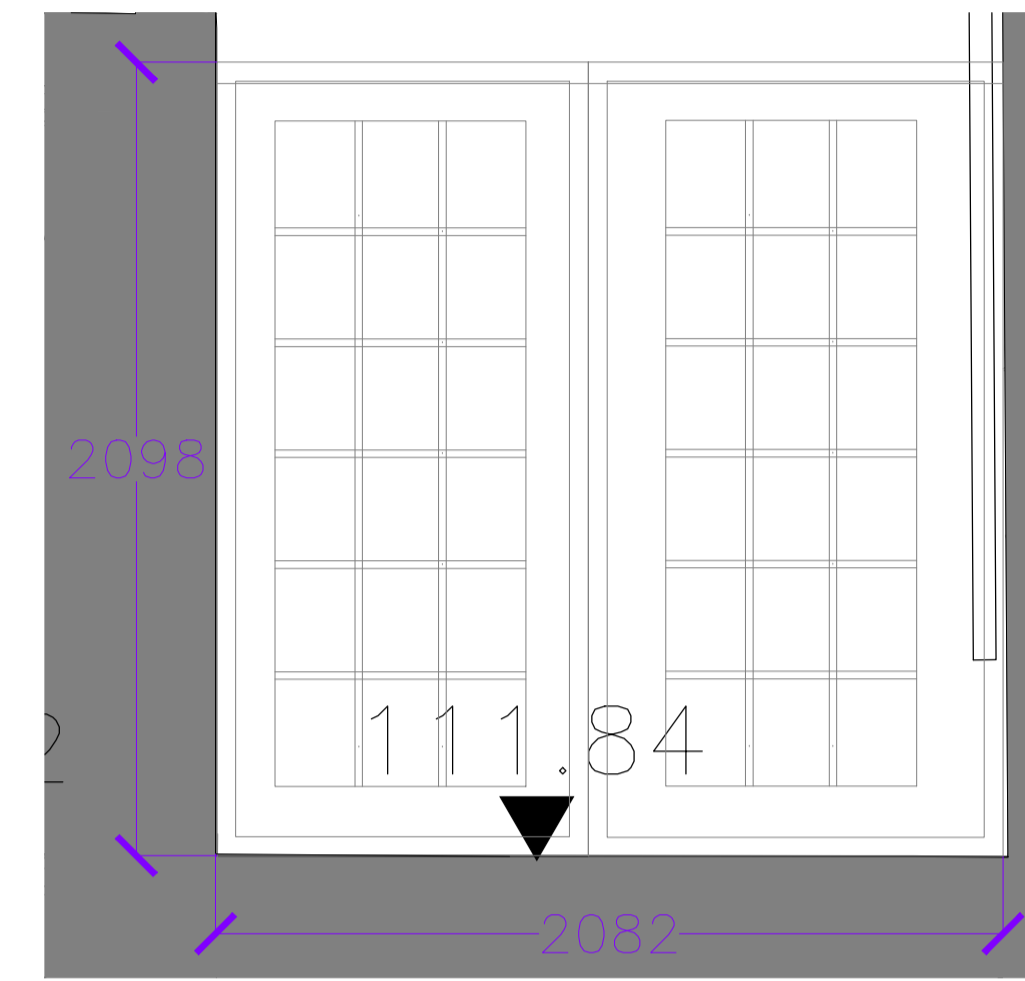
G-102



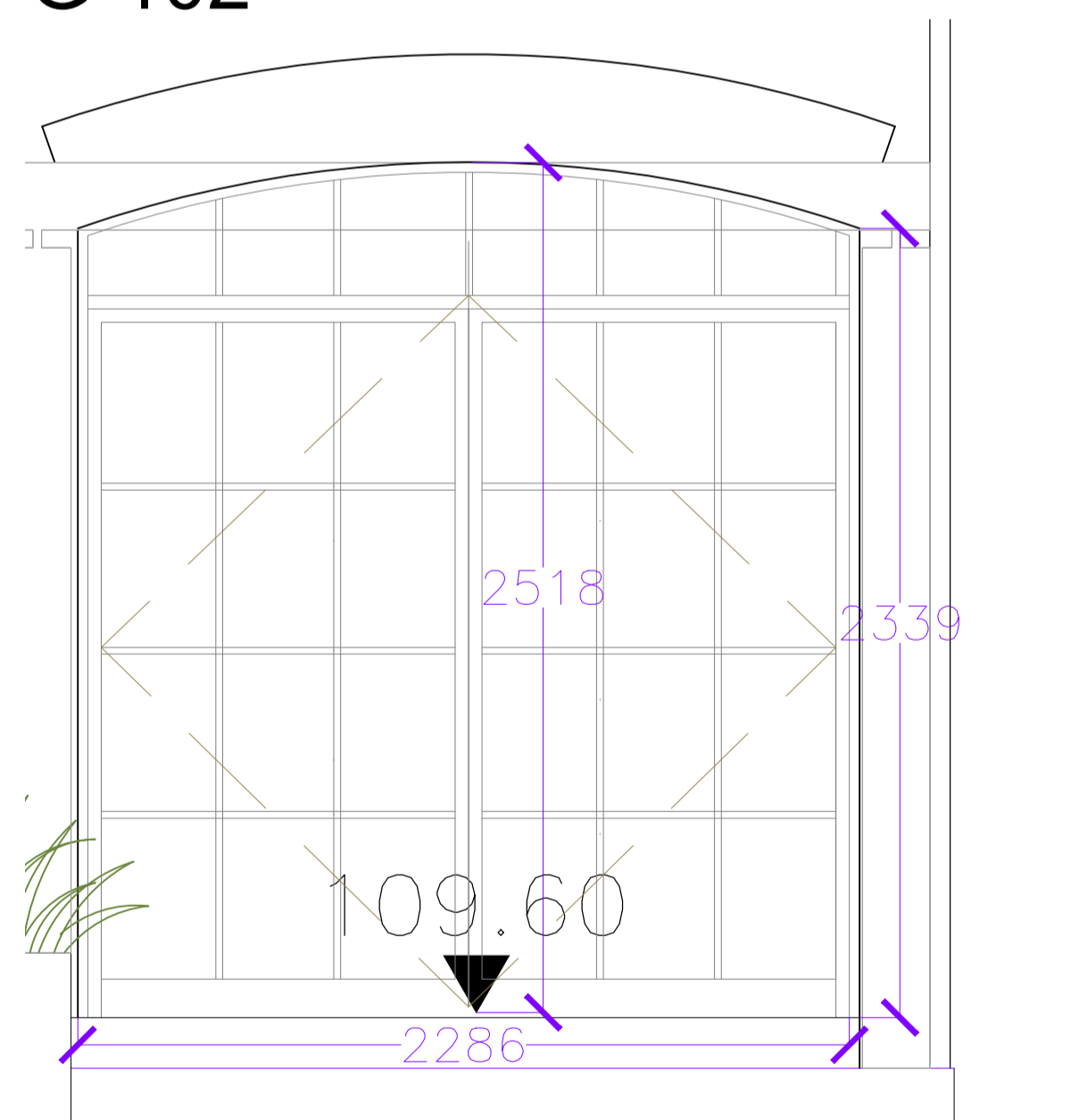
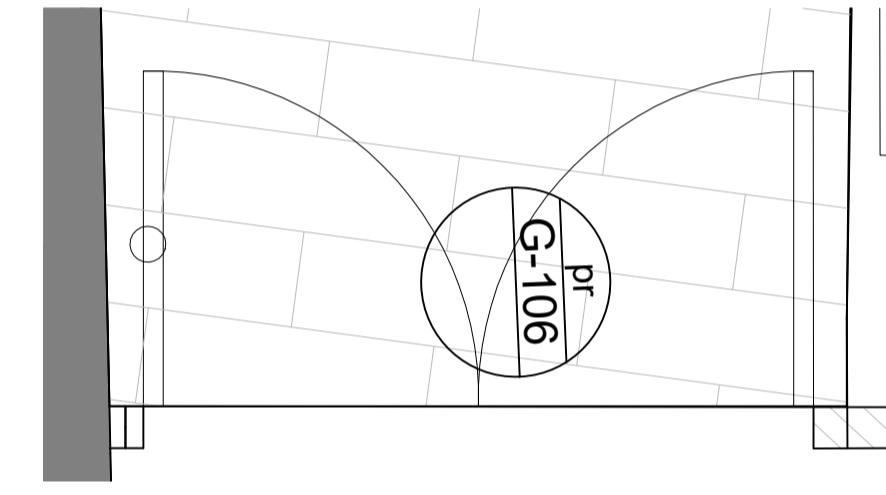
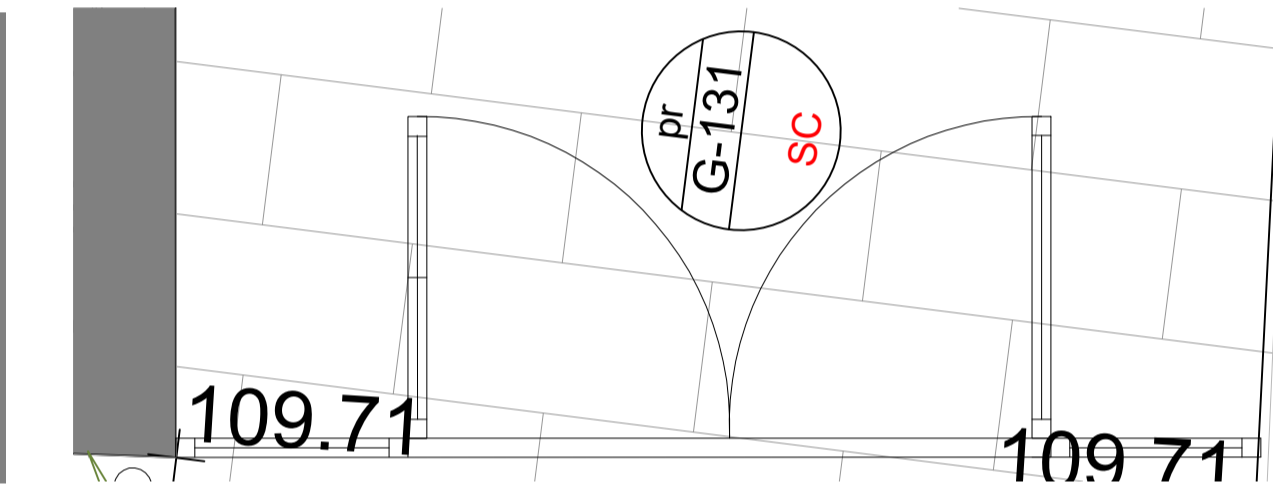
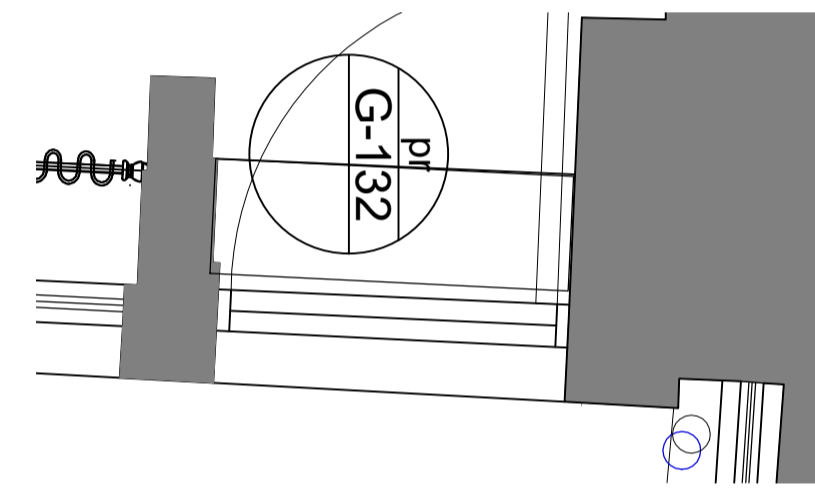
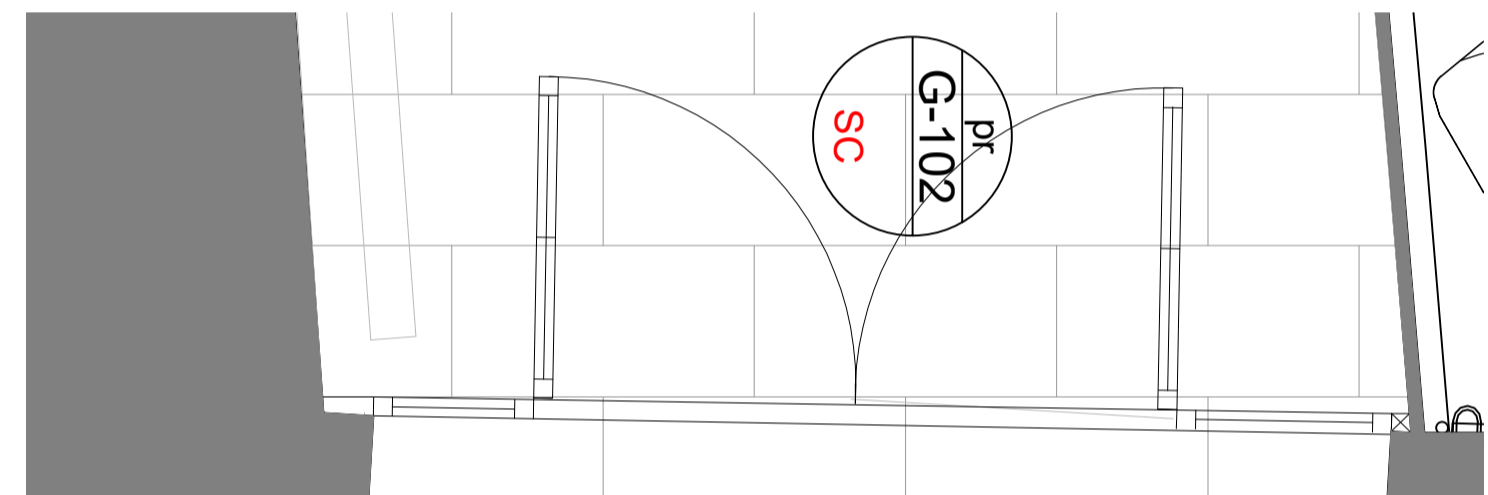
G-132



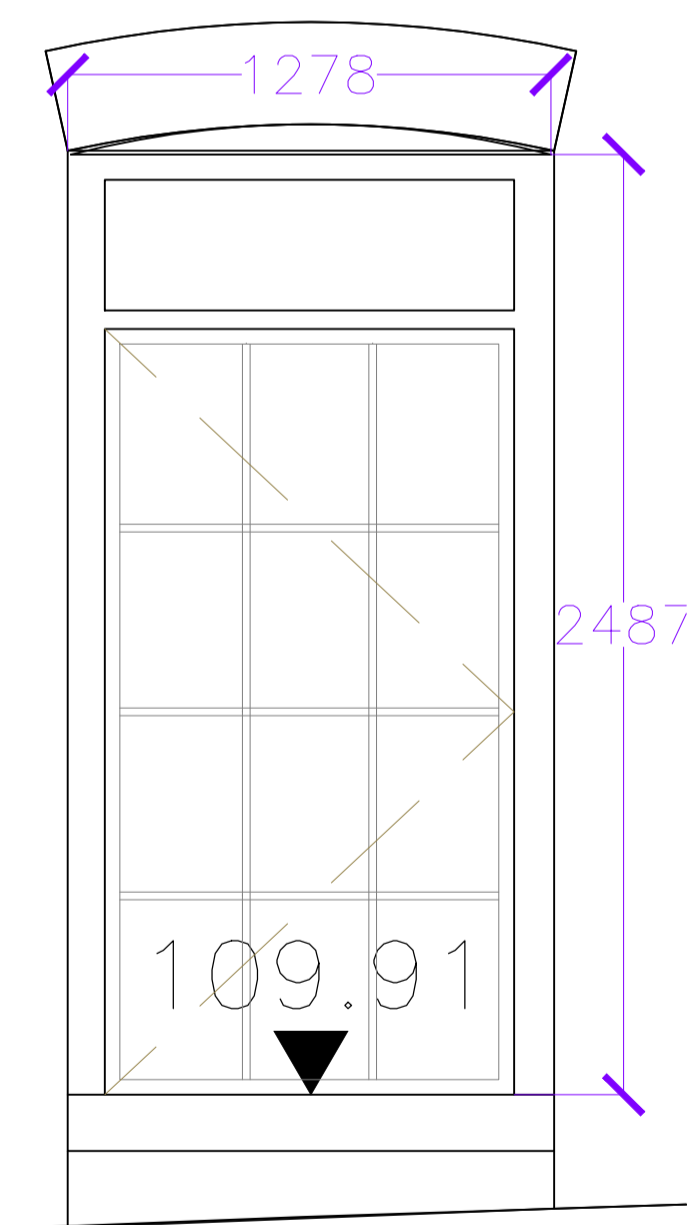
G-131



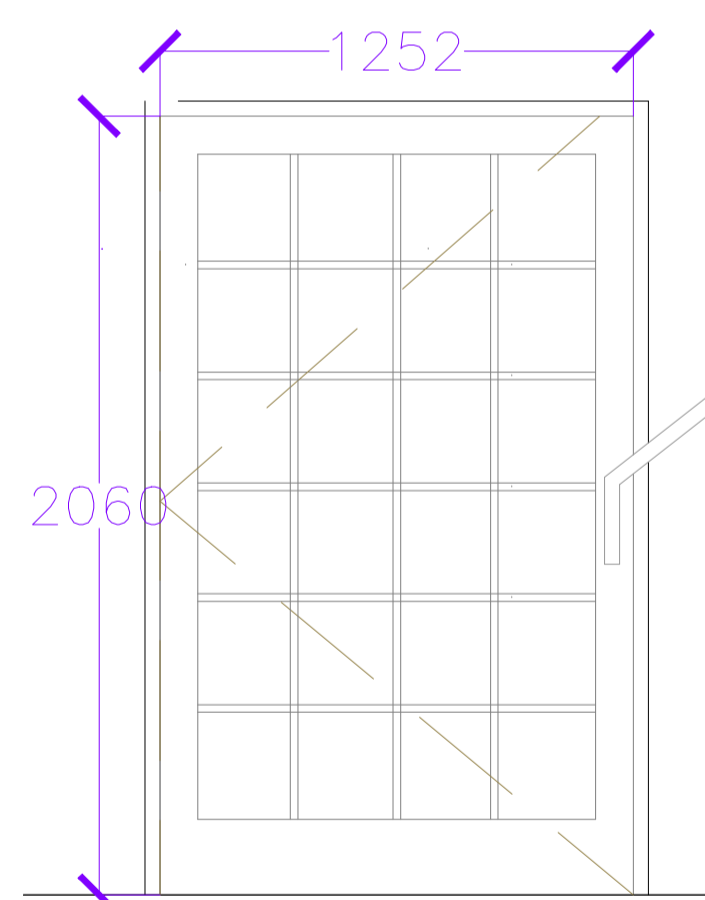
G-106



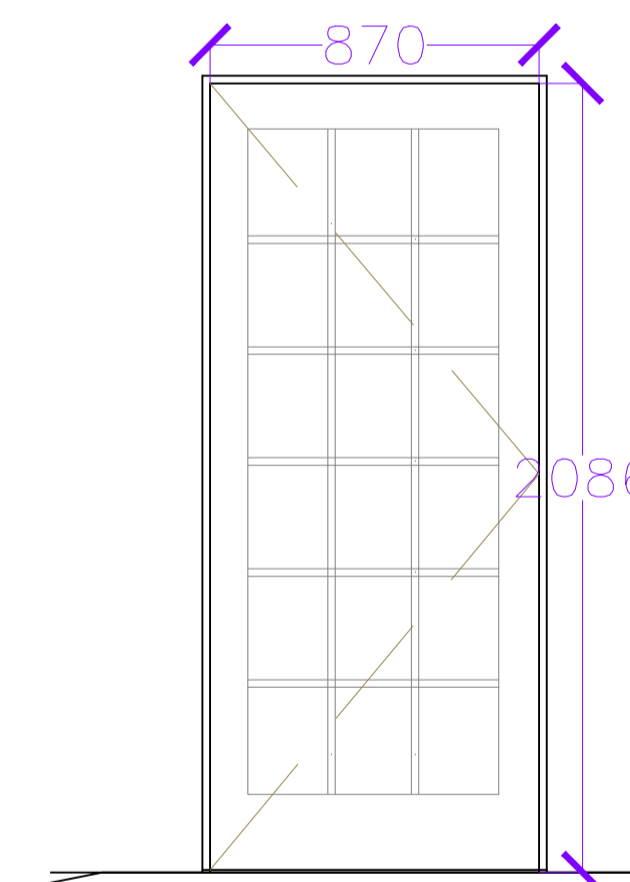
G-103



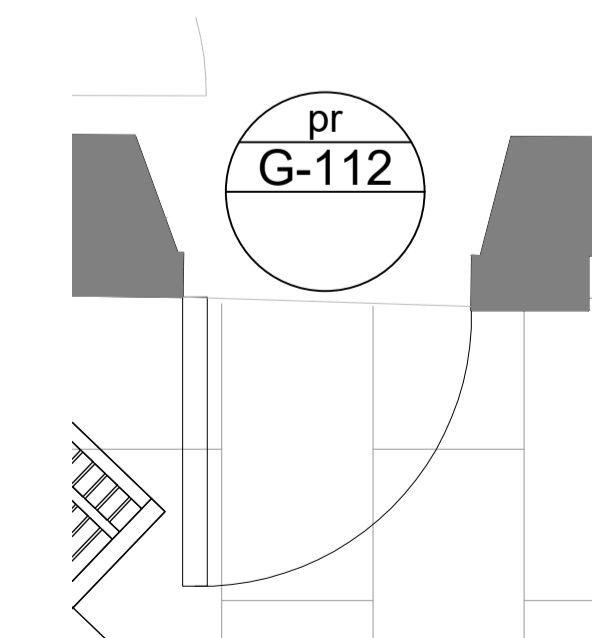
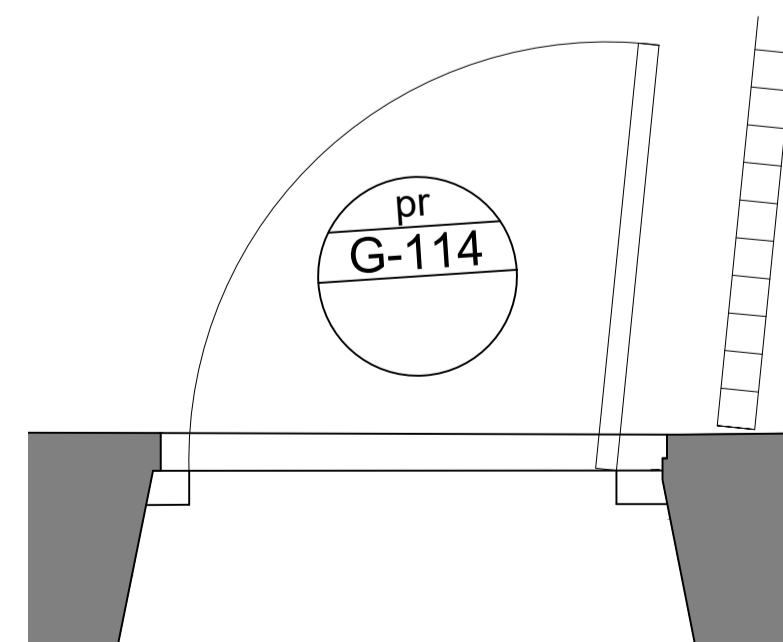
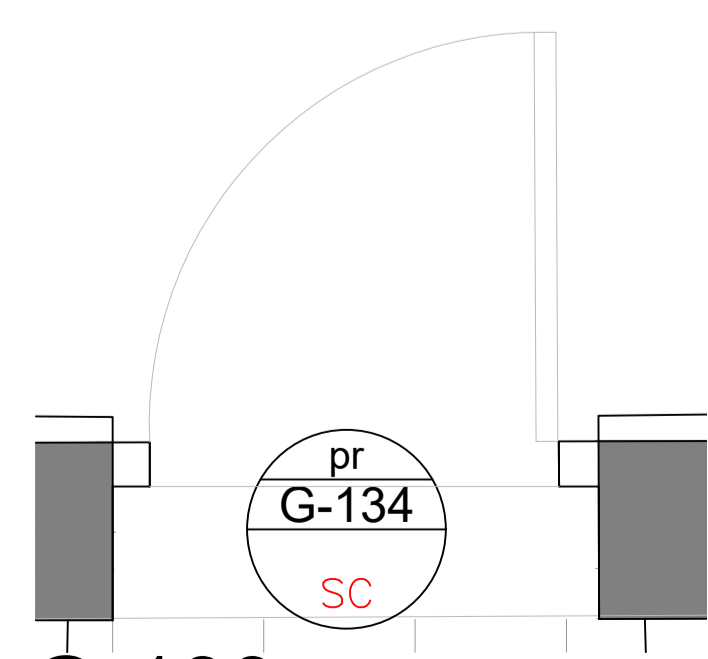
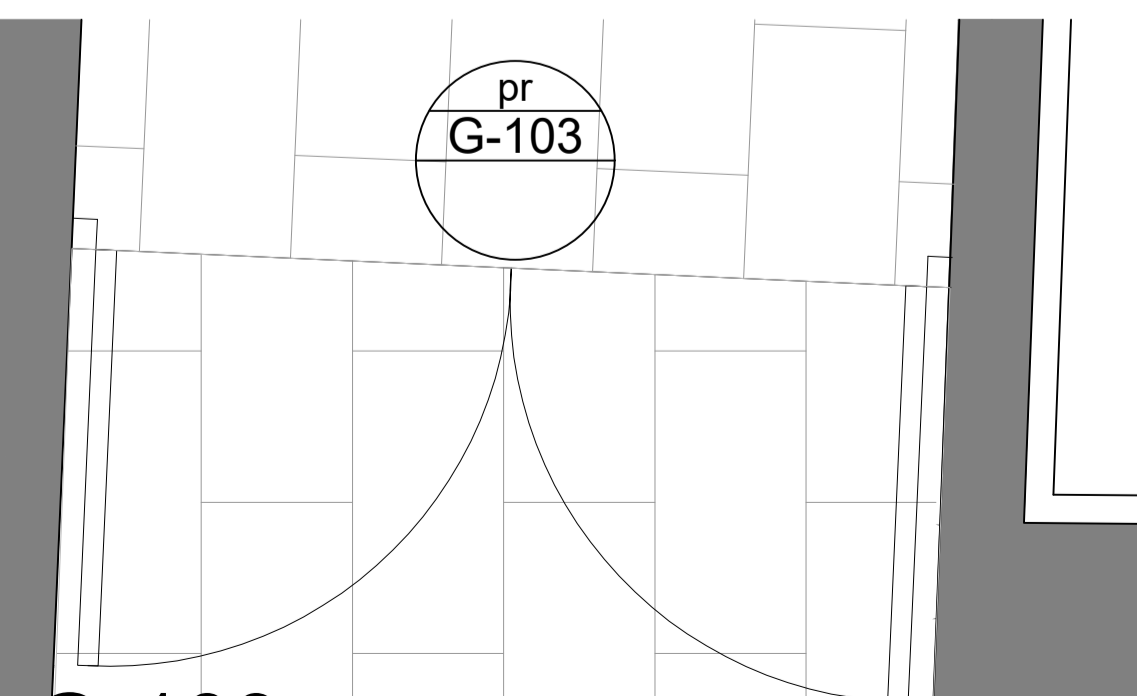
G-133



G-114



G-112



Notes

Do not scale from this drawing.

All dimensions are to be checked prior to construction and any discrepancies are to be identified to the Architect.

Copyright reserved.

All specifications, details, dimensions and areas are subject to design development, site investigations, and Statutory Approval (Planning and Building Warrant) and may therefore be amended as the project progresses.

All drawings should be read in conjunction with the relevant architectural, structural, mechanical & electrical specifications and drawings.

All dimensions shown on this drawing are to be verified on site by the contractor prior to commencement of manufacture. This drawing is intended to outline design intent only.

The detailed design of all components is to be agreed with the relevant supplier in accordance with the design intent and the performance criteria outlined in the specifications.

C	door G-134 removed	12/05/23 AG
B	door code G-132 reinstated	08/08/22 AG
A	door removed as no longer required to be crittal	15/06/22 AG

Revisions

Status

CONSTRUCTION

Client

Paton Developments

Project

**The Bull at Burford
High Street, Burford,
Oxfordshire, OX18 4RG**

Title

Crittall Style Screens

Scale	Size	Date	Drawn	Checked
1:50	A1	16/02/2022	DP	DP

3DReid
www.3DReid.com
Architecture Interiors Masterplanning



Drawing No. 200189-3DR-ZZ-DR-31-31001 Rev. C