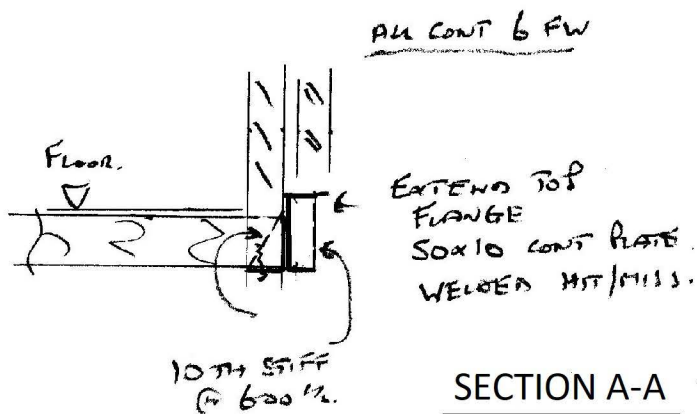


GROUND FLOOR PLAN SHOWING EXTENSION

SCALE 1 : 50



Bm 1  
 260 X 90 PFC + 100 X 100 X 10  
 MSA WELDED WITH 10th  
 STIFFNERS @ 600c/c  
 TOP FLGE PFC EXTENDED  
 WITH 50 X 10 CONT. PLT TO  
 SUPPORT WALL OVER  
 225 BRG ONTO PADSTONE