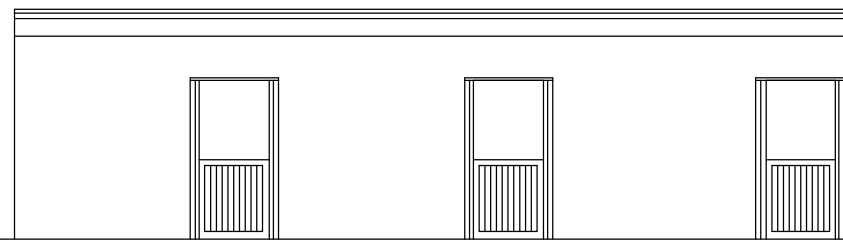
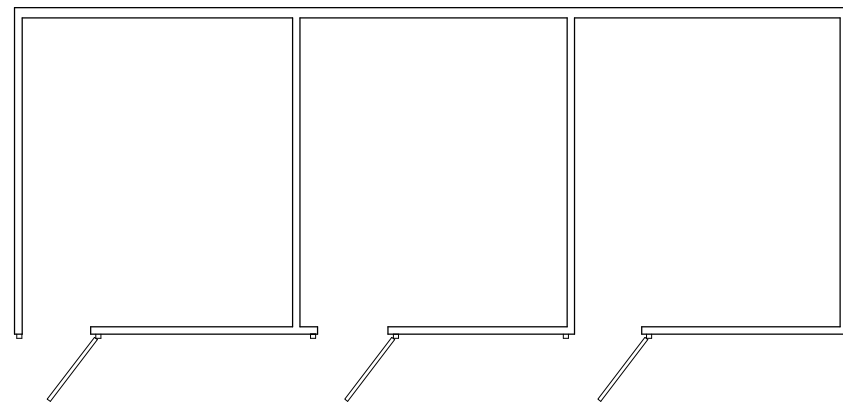


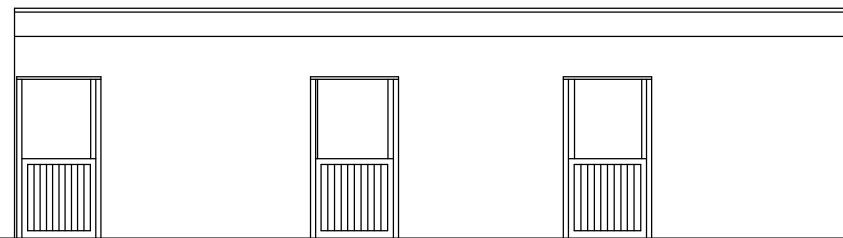
BLOCK A



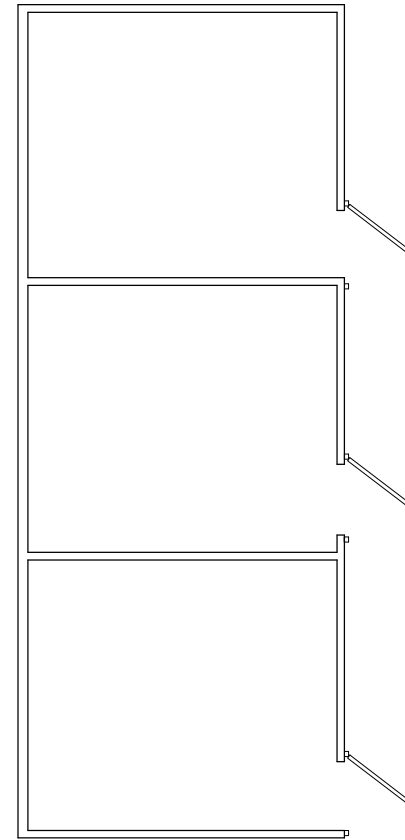
BLOCK A



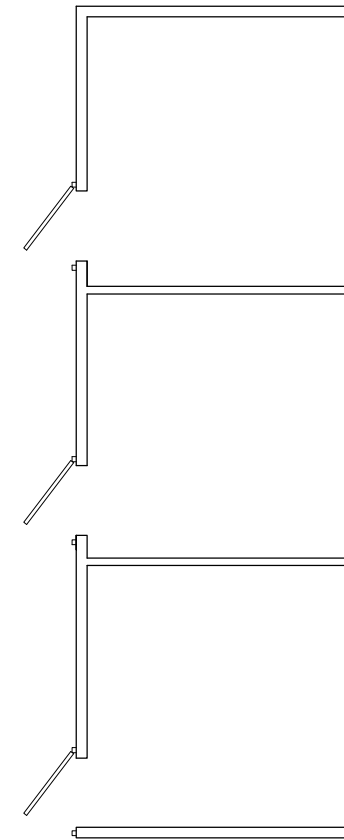
BLOCK B



BLOCK B



BLOCK B



BLOCK A



BLOCK A


130 cubic m - Volume

47.6 sq/m - Area

BLOCK B

109.76 cubic m - Volume

41.1 sq/m - Area

REV	DESCRIPTION
EXISTING STABLES	
PROPOSED CONVERSION AND EXTENSION OF STABLES TO CREATE NEW DWELLING AT ROSCOE LOWE FARM, CHORLEY, PR6 9HG	
CLIENT:	ANDREWS
DWG NO:	EX K1018/01
SCALE:	1/100 @ A3
DRAWN BY:	R.L.
DATE:	06/12/21
REV:	
 NEIL PIKE ARCHITECTS	
<small>MICHIGAN HOUSE, 17-19 CHORLEY NEW ROAD, BOLTON, BL1 4QR TEL: 01204 392233 FAX: 01204 528505 WWW.NEILPIKEARCHITECTS.CO.UK EMAIL: INFO@NEILPIKEARCHITECTS.CO.UK</small>	
<small>COPYRIGHT OF THIS DRAWING REMAINS WITH THE ARCHITECT. DO NOT SCALE FROM THIS DRAWING. WORK TO FIGURED DIMENSIONS. CHECK ALL DIMENSIONS ON SITE. IN THE EVENT OF ANY DISCREPANCY REFER QUERY TO THE ARCHITECTS.</small>	