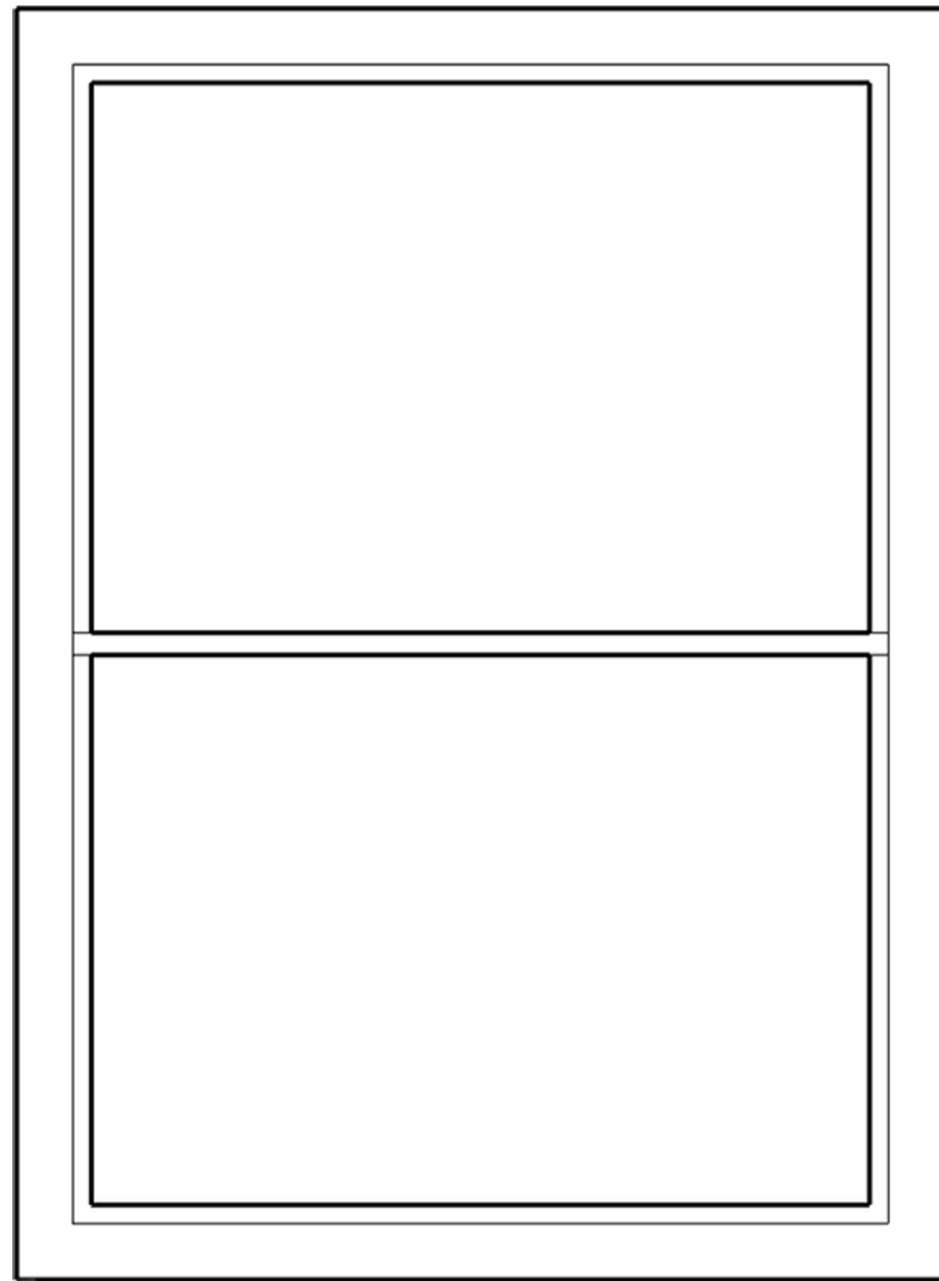


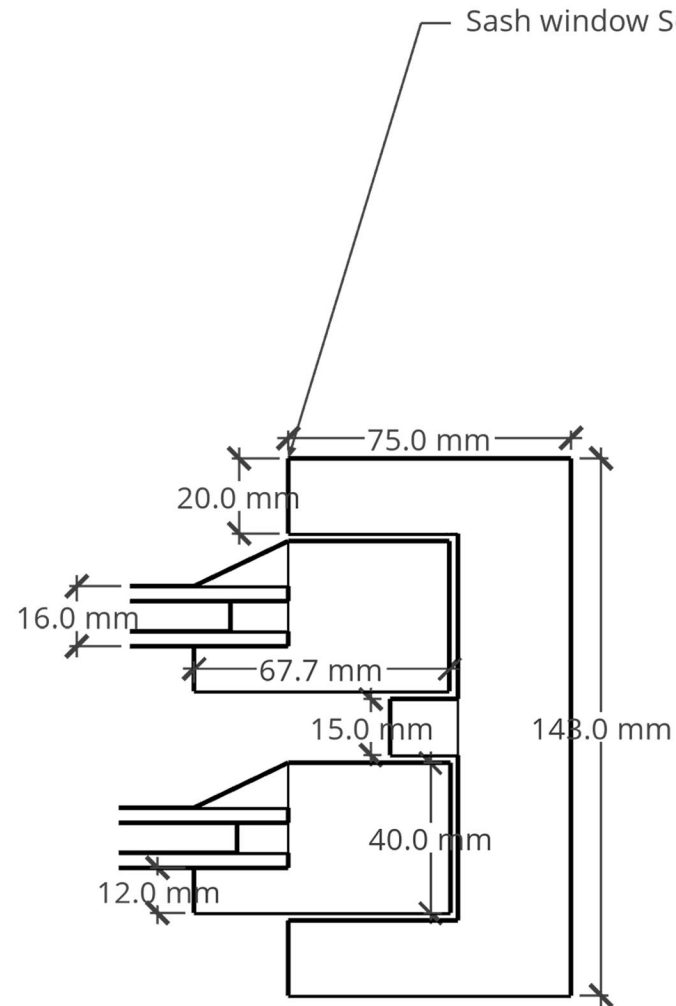
Fig 11.
Proposed Joinery detail For secondary glazing of sash windows
Polanguy Farmhouse
26/5/23

The Farmhouse,
Polanguy
constantine
Tr115QJ



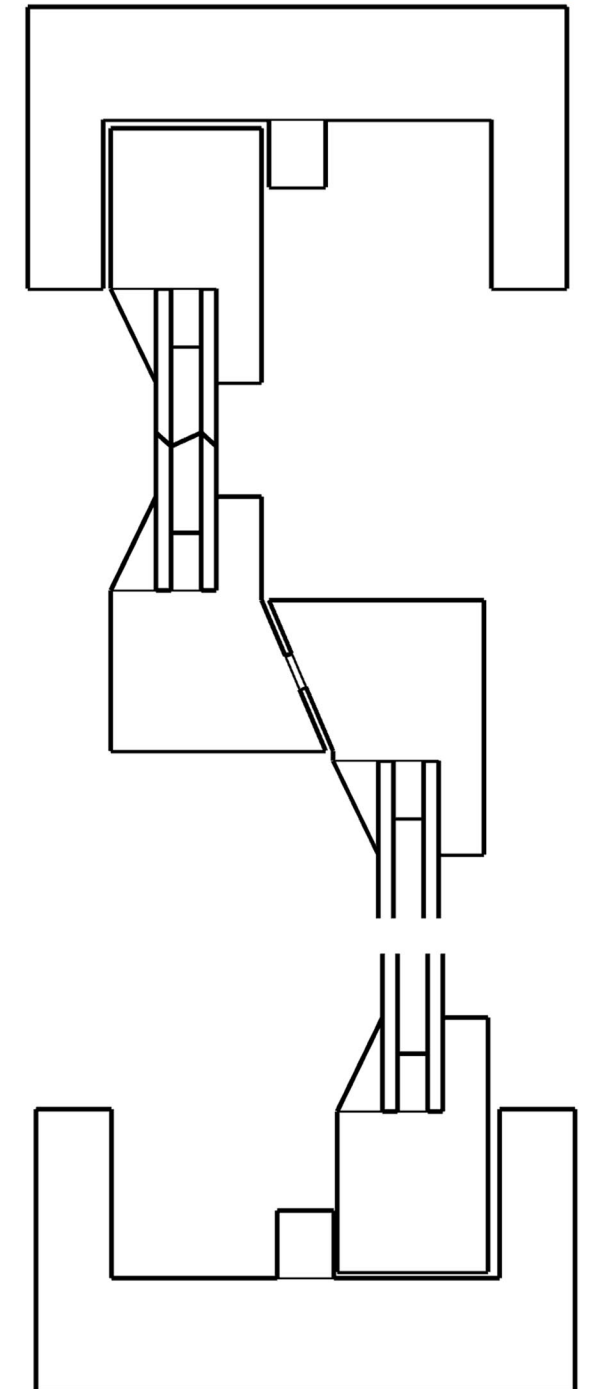
Secondary Glazing for Sash windows

1:10 @A3



Sash window Secondary glazing joinery detail

1:2 @A3



Nikolas Thiessen