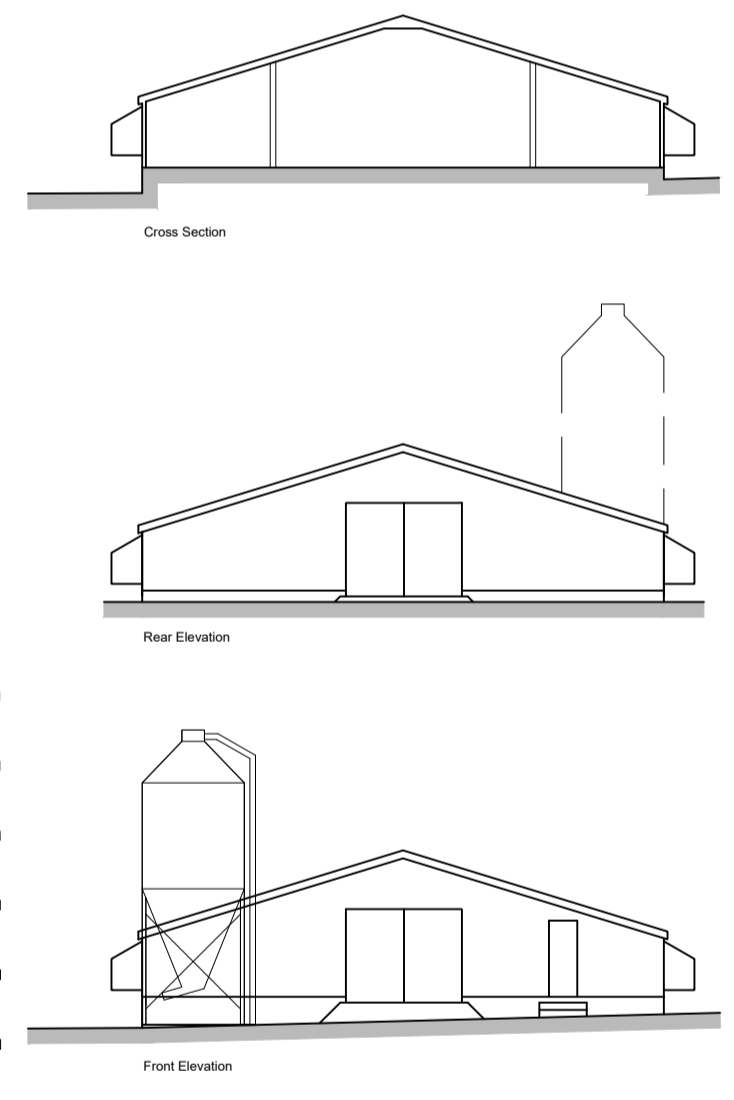
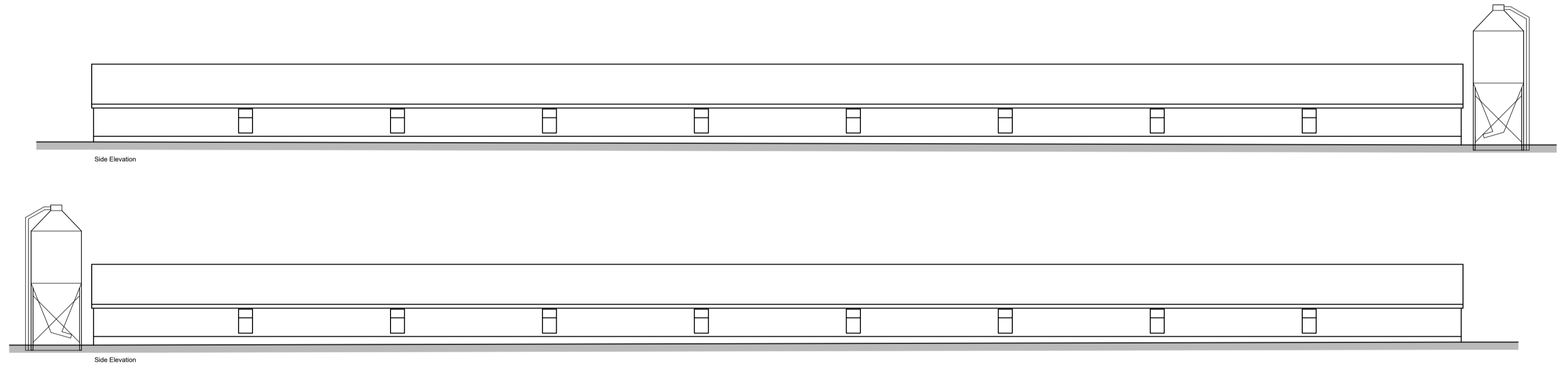
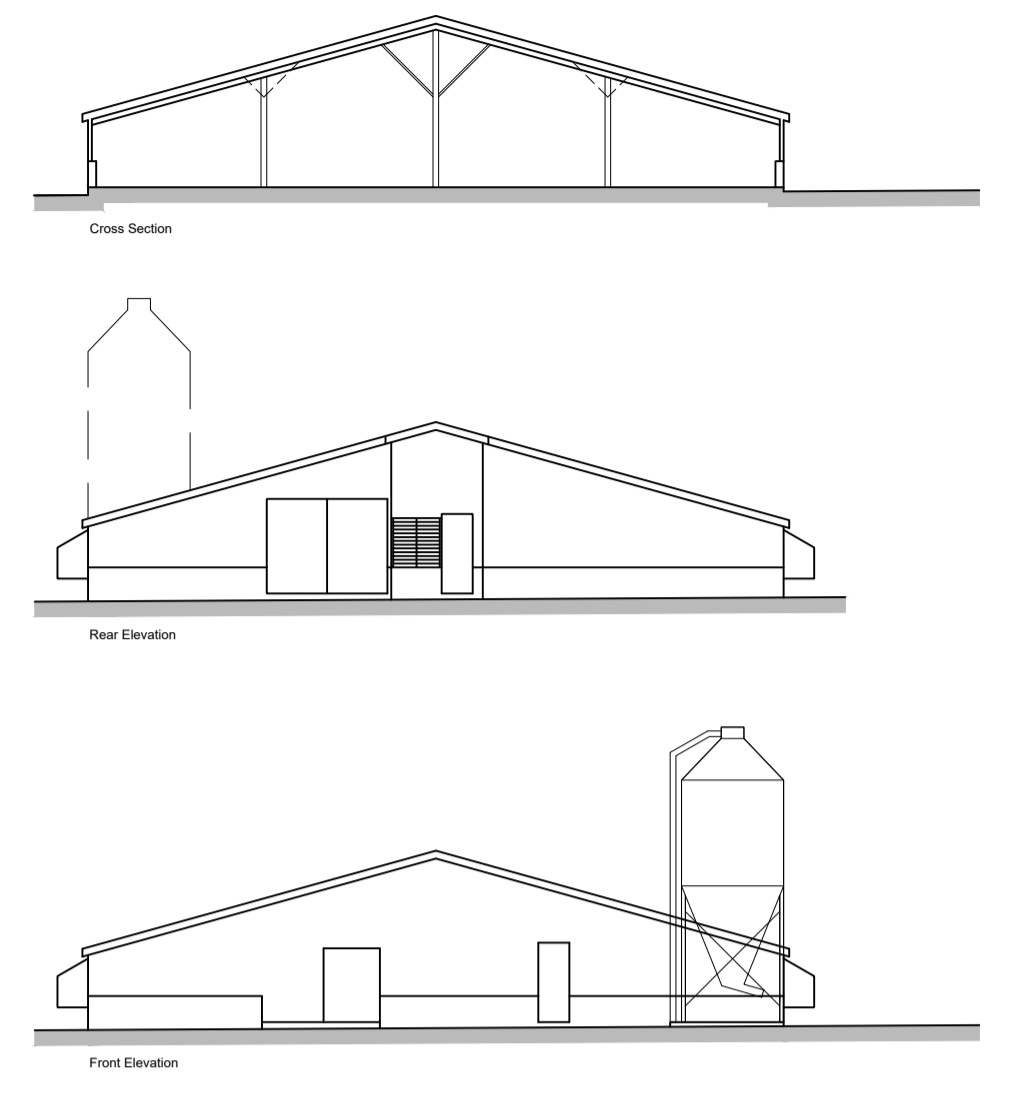


Unit 1 - Elevations



Unit 2 - Elevations



| REV | DATE | DRWN | CHKD | REVISION DETAILS |
|-----|----------|------|------|------------------|
| A | 25/01/22 | ARW | ARW | Planning Issue |

PROJECT TITLE
 Re-development of
 Glen Garry Farm, Fen Road, Ruskington,
 Lincolnshire, NG34 9TH

CLIENT
 Stonegate Agriculture Ltd.

DRAWING TITLE
 As Existing
 Plans and Elevations

| | |
|--|----------------------------|
| DRAWING STATUS PLANNING | SCALE: 1:200 @ A1 |
| DRAWING No. 2312-010 | DATE: December 2021 |
| REVISION A | DRAWN: ARW |
| | CHECKED: ARW |

HPA CHARTERED ARCHITECTS
 29 CASTLE HILL, LANCASTER LA1 1YN

01524 32479
 hpa@hpa.ltd
 www.hpa.ltd