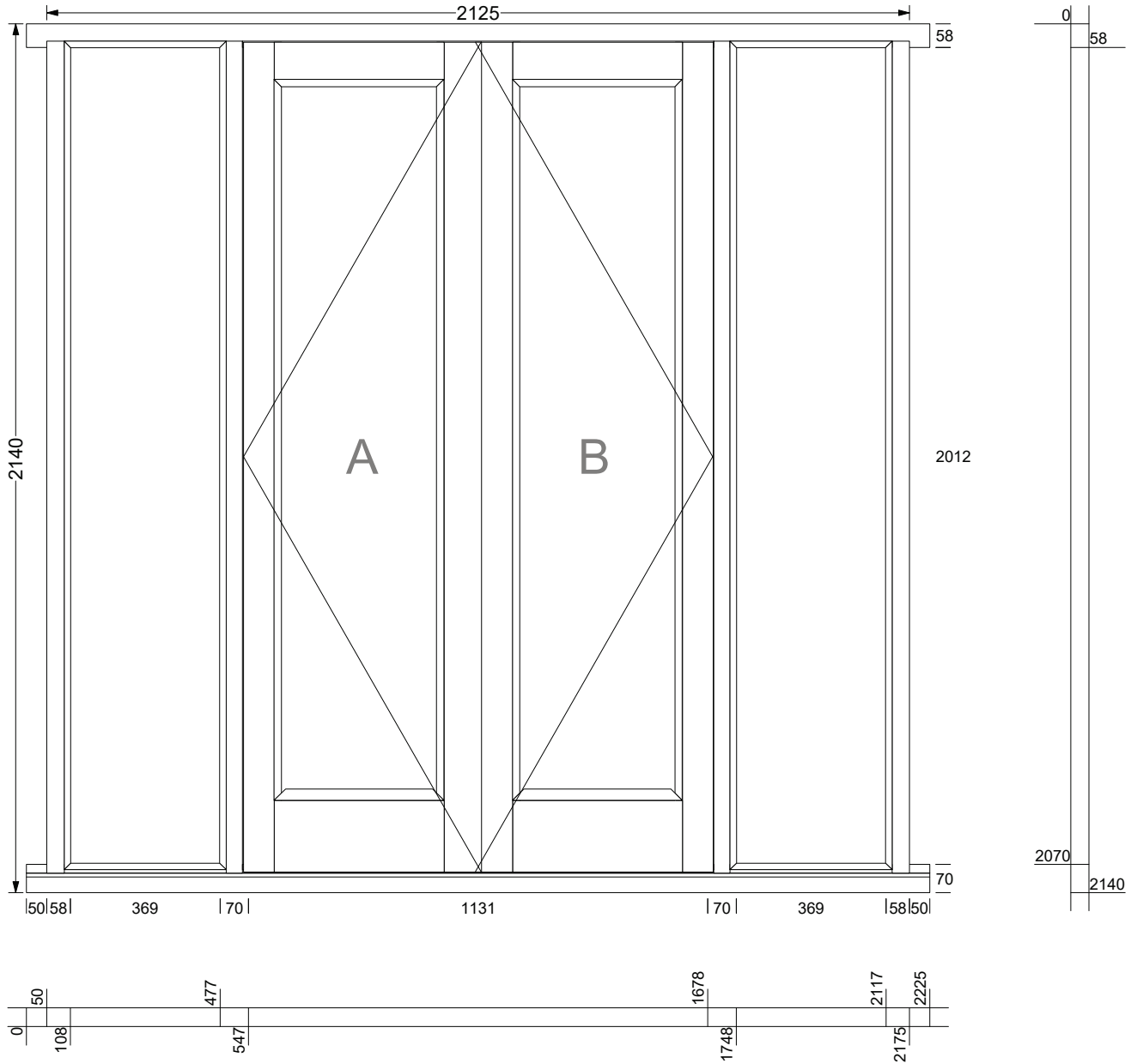
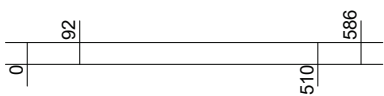
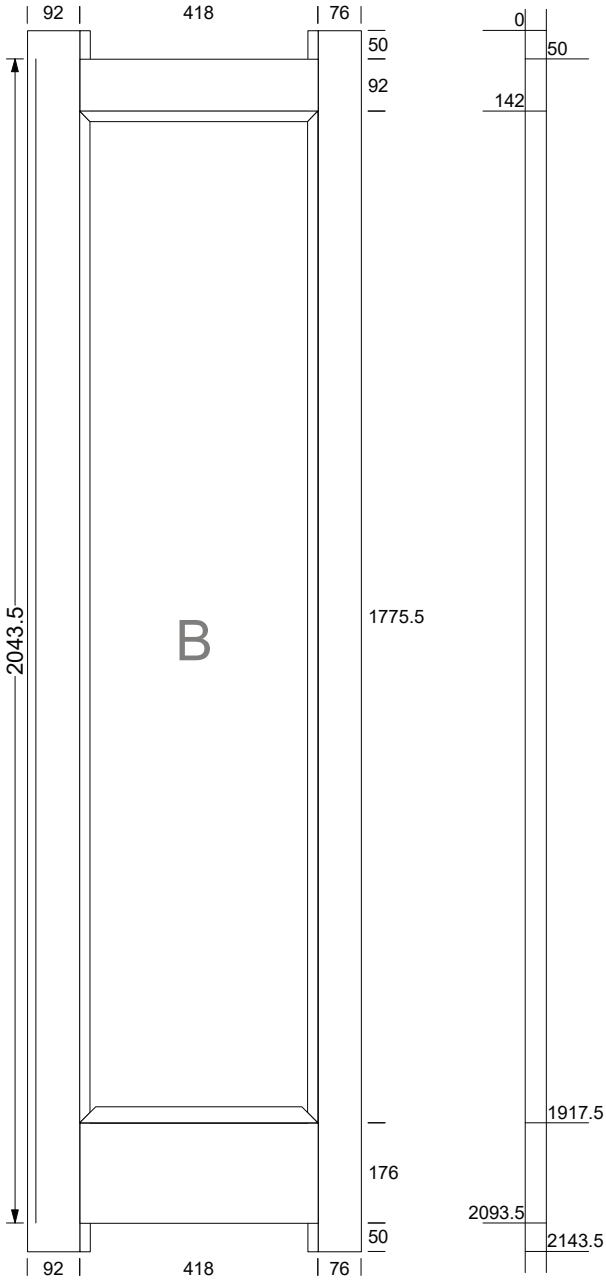
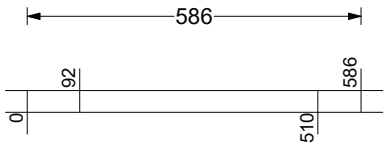


Client **Mr Dan Wright**
 Job **The Barn, Larks In The Wood**
 Ref **External Joinery**

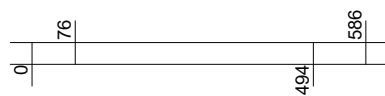
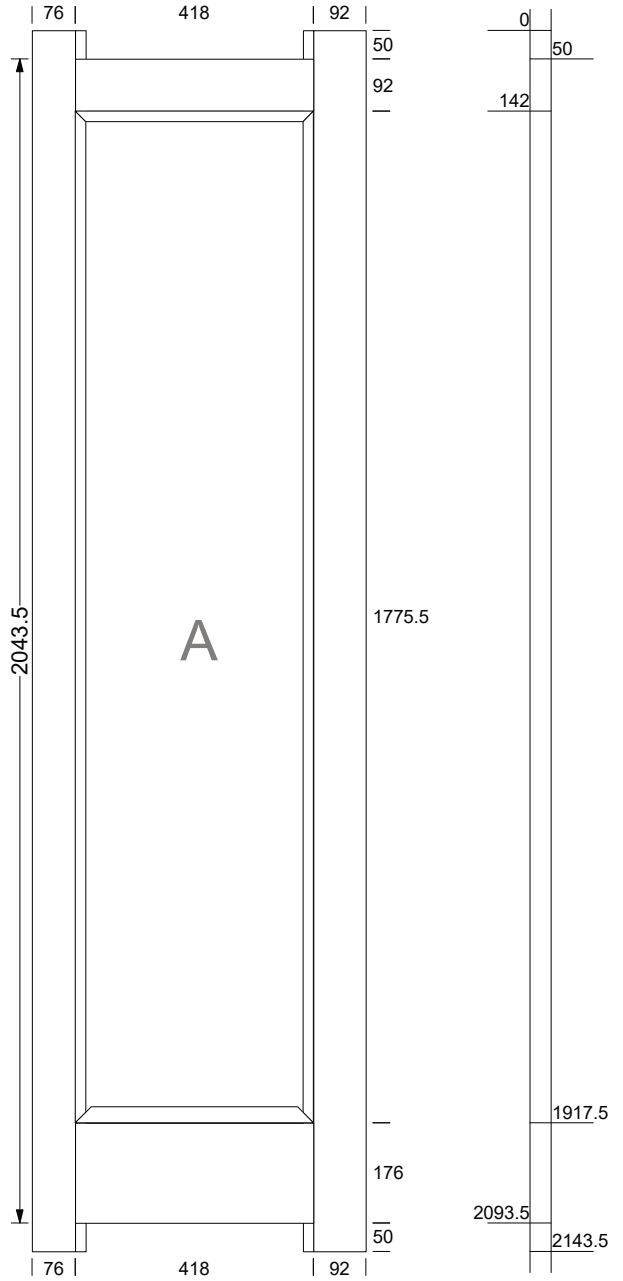
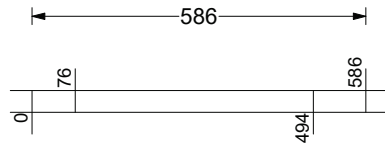
1 X Door Frame - S2 (French Doors and Frame with Sidelights)



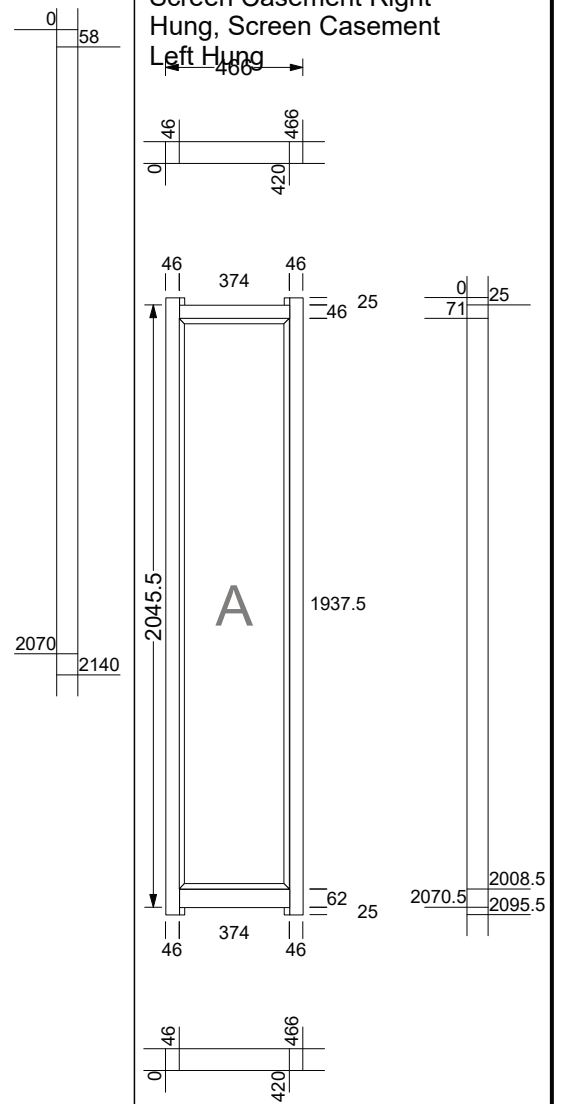
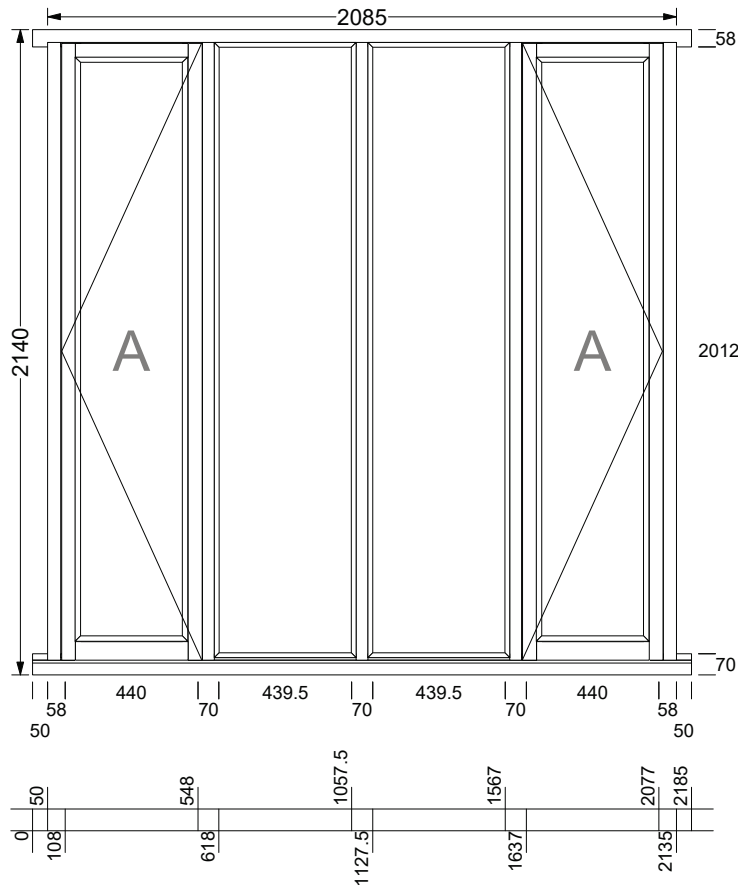
S2
Door Right Hung



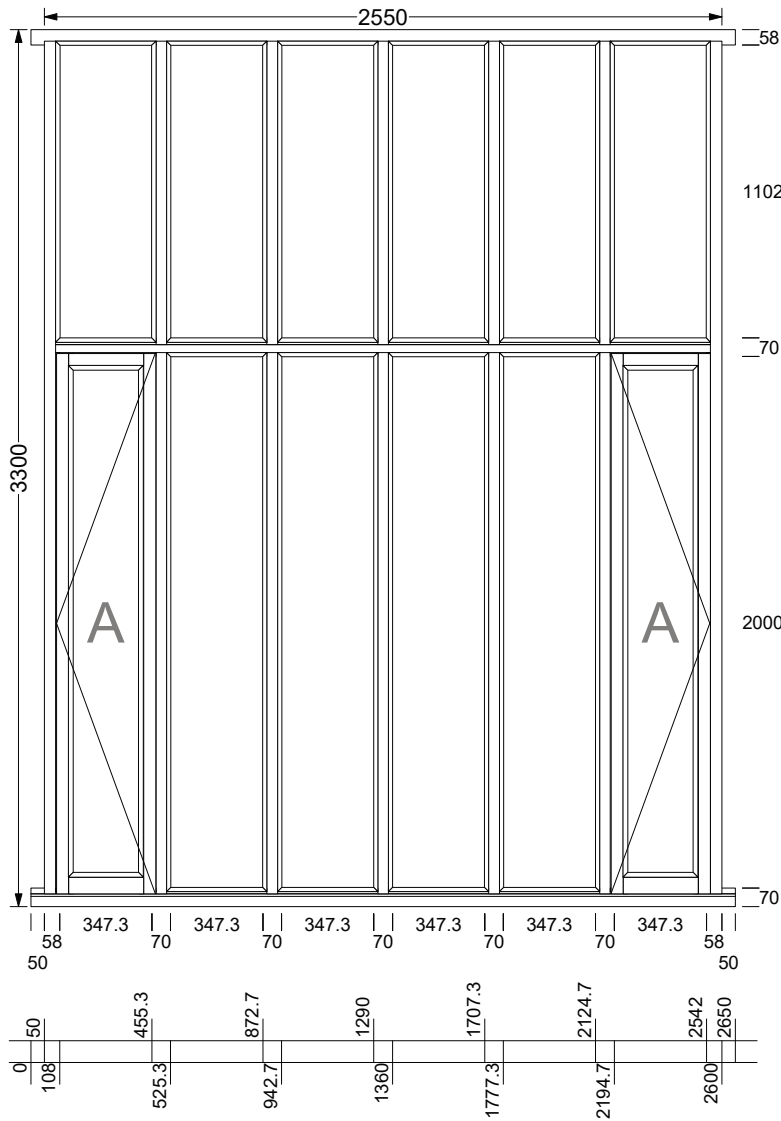
S2
Door Left Hung



1 X Door Frame - S3 (Casement Window)



1 X Door Frame - S1 (Screen)



S1 Screen Casement Right Hung, Screen Casement Left Hung

