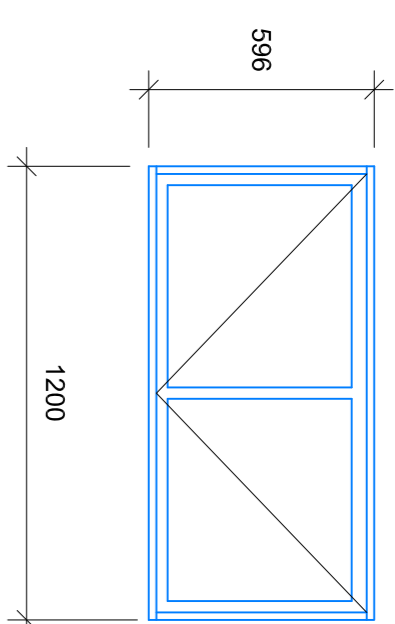
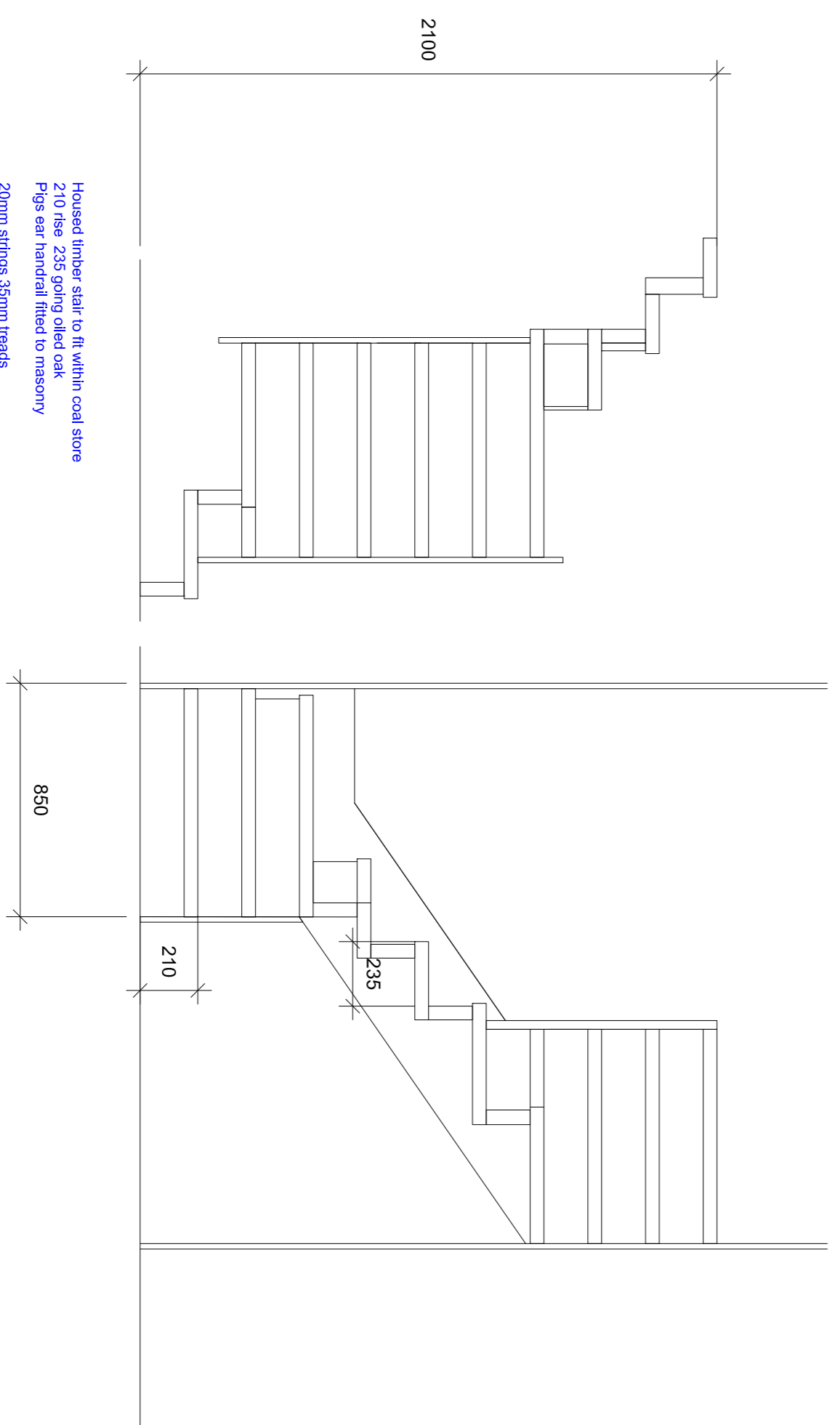
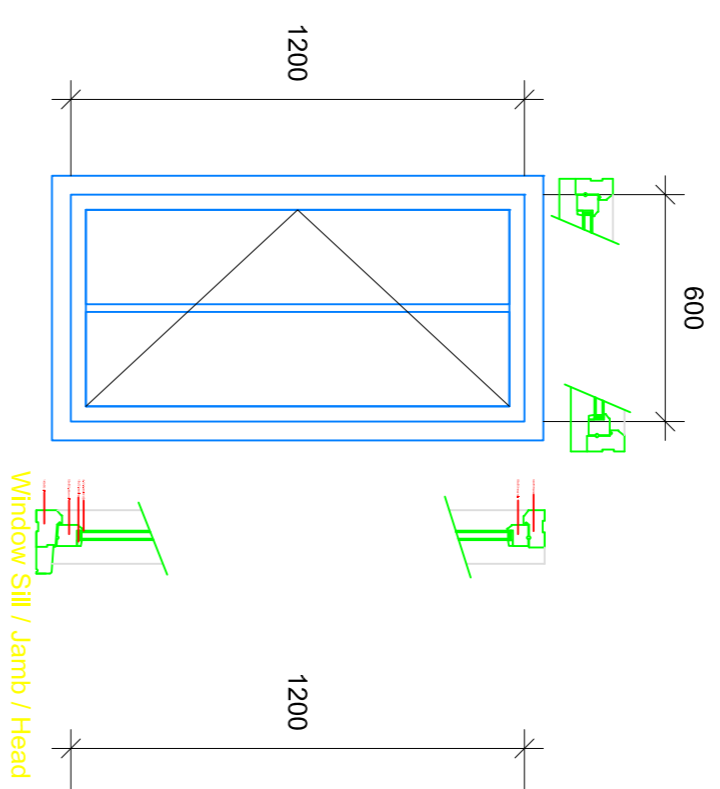
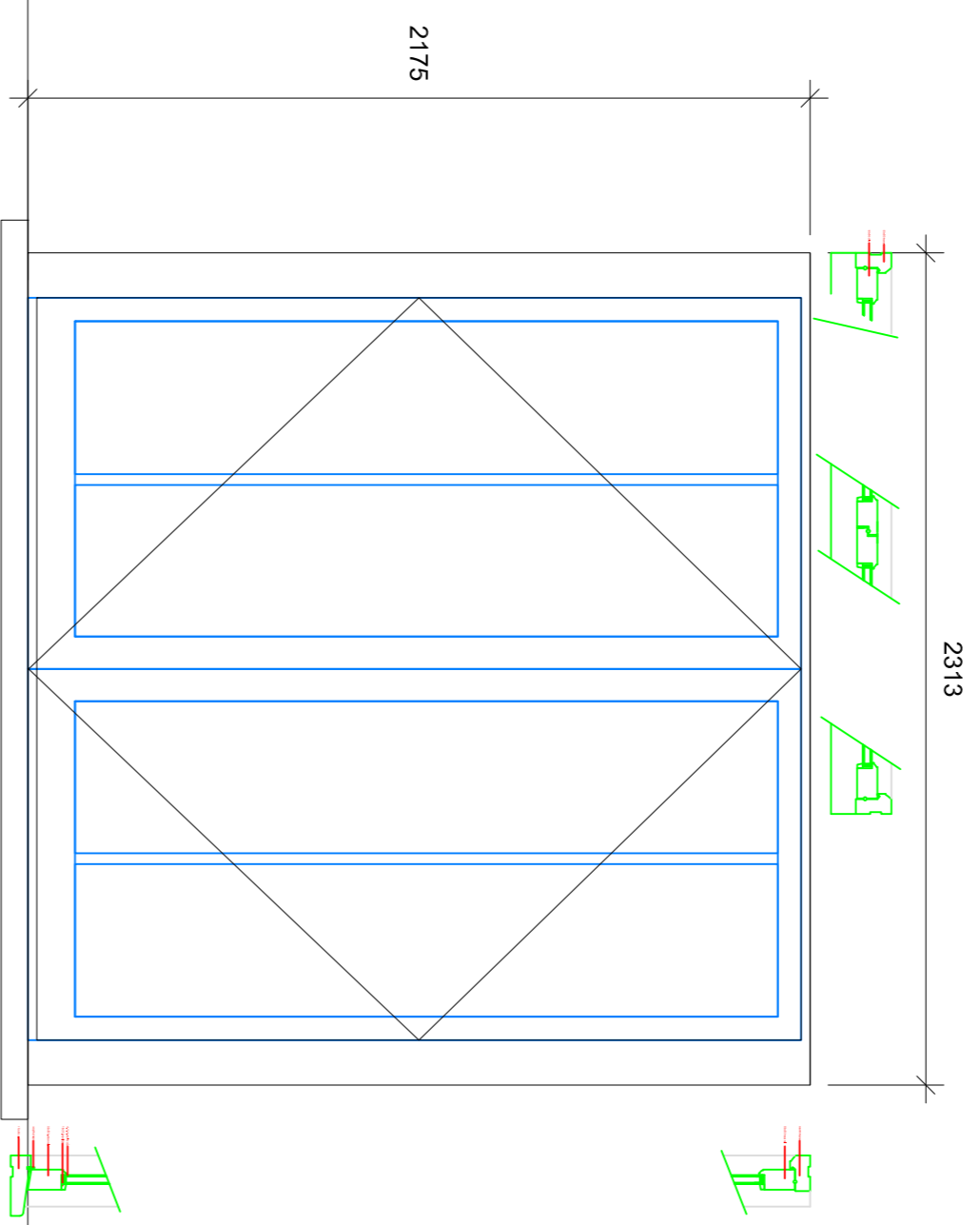


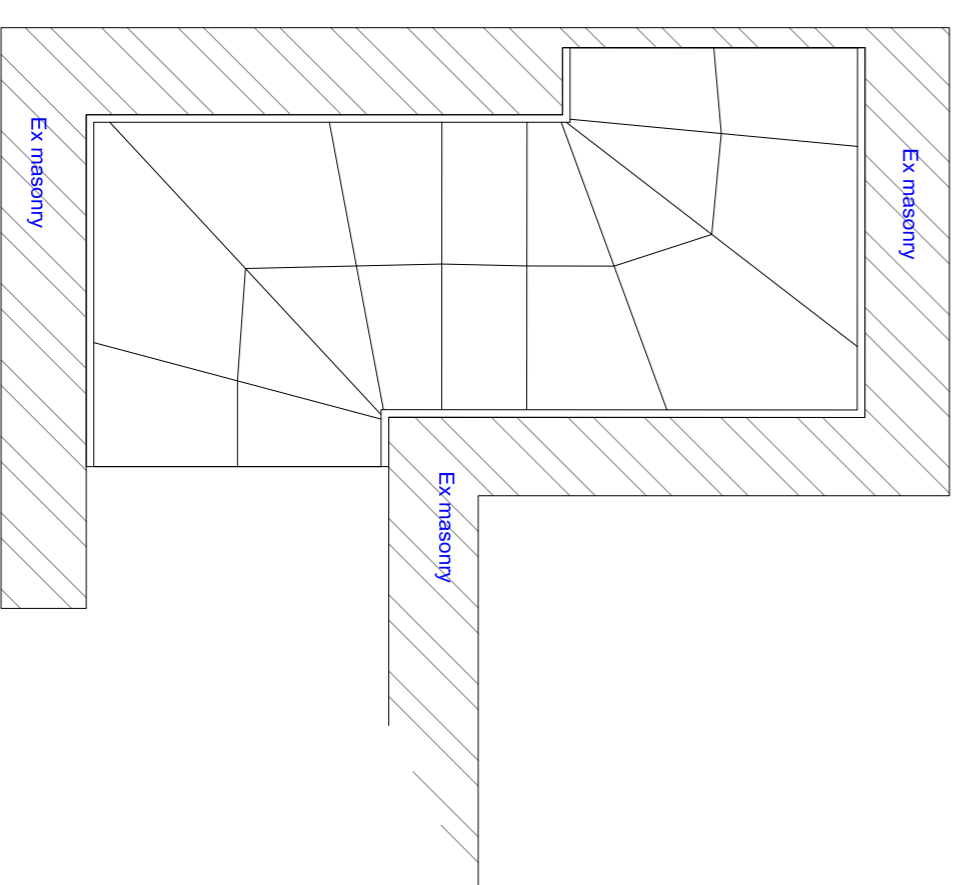
Egress



All new windows and doors to be timber to match existing, side or top hung as indicated on Door & Window Schedule.
 Tickle vents to give min 8,000mm² equivalent area per habitable space and safety glazing to BS6206. Additional background to be applied to weather membranes. Vertical buttons to be cut 100mm short of horizontal closer buttons.
 U Value 1.4 W/mK
 Doors and sillsights with glazing below 1500mm from finished floor level and windows with glazing below 800mm from finished floor level to be toughened safety glass to BS 6206. Window and door frames set back to overlap insulated closer min. 30mm. Windows and doors to be fitted with combustible background ventilators to provide minimum ventilation as indicated on the drawings.



Housed timber sills to fit within coal store
 210mm over 235mm glazing units
 210mm over 235mm glazing units
 20mm sillsights 35mm reveals
 Detail in section entirely within the coal store



Rev: / Date / Details | Sheet / Contents

Prelims
 Project No: 2188
 Project Name: Mr N Tuck and D Bennham
 Client: The Priory
 Location: Walsham Le Willows, Suffolk
 Scale: As shown @ A1
 Date: 12/07/2023
 Drawn By: GA
 Checked By: GA



Brooks Architects Limited
 10, Southminster, London, SE16 4JH
 Tel: 020 7729 3023, Fax: 020 7729 6170
 www.brooksarchitects.com