



**Engineering progress
Enhancing lives**

Specifier Guide

For windows, doors and curtain walling



WINDOWS

- 04 - 07** Casement Windows - TOTAL70
- 08 - 11** Flush Fit Windows - RIO
- 12 - 15** Fire Rated Windows - RAUFERNO
- 16 - 19** Fully Reversible Windows - TOTAL70
- 20 - 23** Tilt & Turn Windows - TOTAL70
- 24 - 27** Tilt & Turn Windows - GENE0 & GENE0 ALUTOP
- 28 - 31** Vertical Sliding Windows - Heritage

DOORS

- 32 - 35** Composite Doors - AGILA
- 36 - 39** Entrance Doors - TOTAL70
- 40 - 43** French Doors - TOTAL70
- 44 - 47** Sliding Doors - AGILA
- 48 - 51** Multi-Fold Doors - AGILA

BALCONIES

- 52 - 55** SKYFORCE Juliet Balcony

CURTAIN WALLING

- 56 - 59** Alu Clad Curtain Walling - Polytec 50
-

- 60 - 61** Colour
- 62 - 63** Accreditations
- 64 - 65** Building Solutions
- 66 - 67** Plastics in Circulation
- 68 - 69** Sustainability
- 70 - 71** Discovery Knowledge
- 72 - 74** Discover the REHAU Hub



Casement Windows TOTAL70

REHAU PVCu Casement Windows offer a comprehensive range of window styles, suitable for all types of buildings. All provide exceptional levels of energy efficiency as well as a choice of aesthetics.



Characteristics

The REHAU TOTAL70 window system comprises a range of multi-chambered profiles that are designed to meet the requirements of the new build, commercial and domestic refurbishment markets.

Within the system there is a choice of profile designs. REHAU TOTAL70C is a chamfered system resembling a traditional 'putty line' finish. The chamfered system is simple yet elegant, helping to create our beautiful contemporary frames.

REHAU TOTAL70S is a suite of fully sculptured profiles offering heightened style to both modern and traditional properties.

The two systems are fully compatible and supported with a full range of ancillary profiles for all installation requirements. Both designs are available in a range of foil laminate options for complete personalised profile design. Our complete range of foil laminate options can be seen on our colour page or the REHAU Colour Brochure.

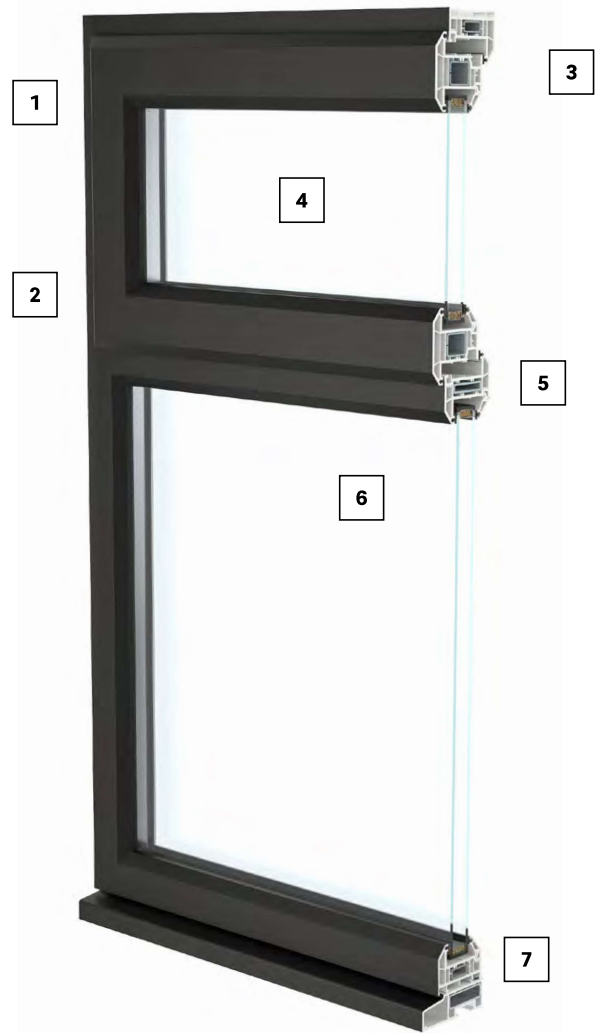
The TOTAL70C system is available with a co-extruded profile made up of 75% post-consumer waste and boasts severe weather performance credentials and unparalleled technical, thermal and noise reduction efficiency.



REHAU TOTAL70c Casement Window (Chamfered)

- 1 Larger reinforcement chambers allow for additional strength / rigidity when necessary
- 2 Optional features include a part sculptured T Sash
- 3 Ideal replacement for British timber Casement Windows due to 70mm depth
- 4 4mm to 44mm double or triple glazing
- 5 Wide range of styles and combinations eg. French, Bay and Bow windows
- 6 Can achieve U-Values of 0.8 W/m²K using the triple glazed Argon sealed units.
- 7 Complies with Building Regulations

Feature	Specification
Profile depth	70mm
Maximum window size	900 x 1500mm (Side Hung) 1300 x 1000 (Top Hung)
Thermal performance	Can achieve 0.8 W/m ² K
Maximum sash weight	40kg
Glass width	4 – 44mm
Accreditations	See page 60

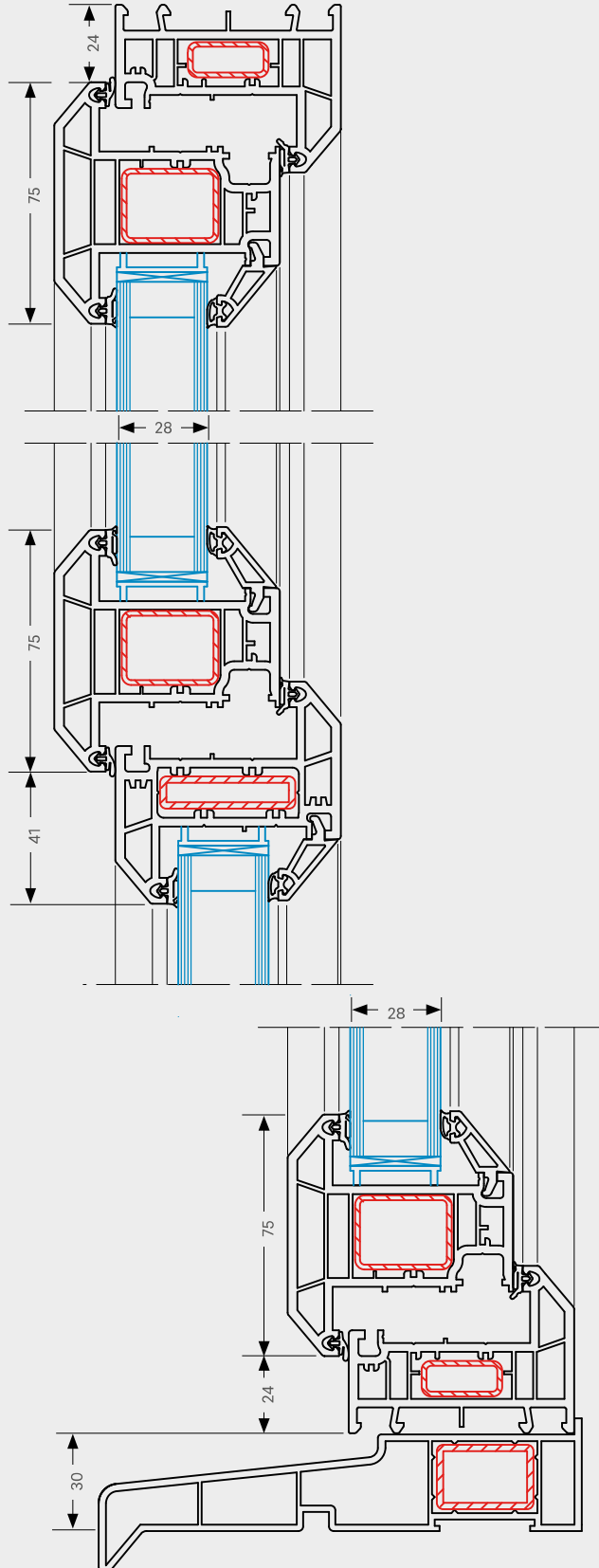


Exceptional levels of energy efficiency as well as a choice of aesthetics.



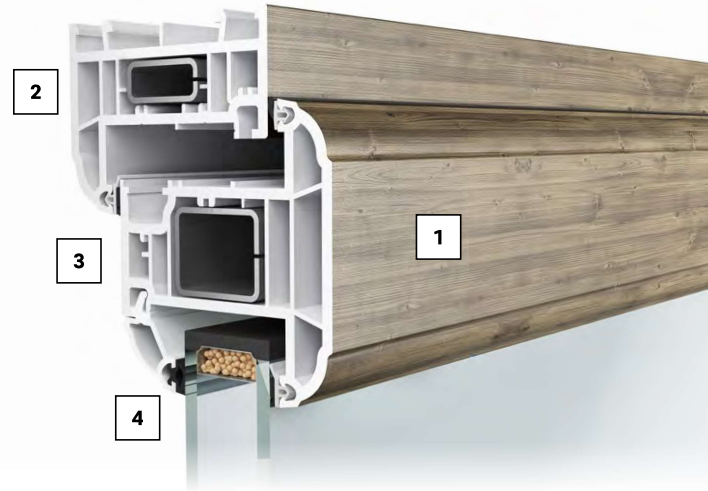
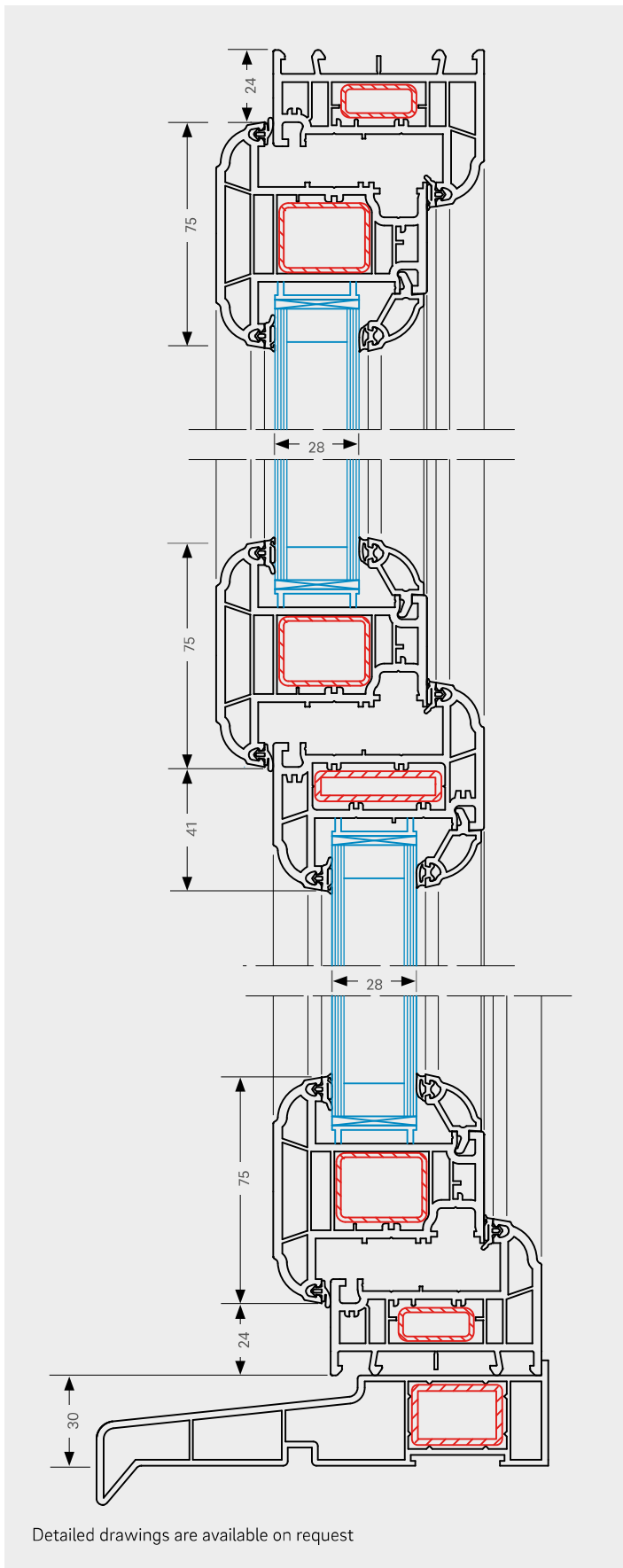
Casement Windows TOTAL70

Below: Vertical Section (Chamfered)



Detailed drawings are available on request

Below: Vertical Section (Sculptured)



REHAU TOTAL70S Casement Window (Sculptured)

- 1 Interchangeable profiles allow for multiple style combinations to be manufactured
- 2 Fully sculptured detail for enhanced style to both modern and traditional properties
- 3 Optional features include run through sash horn, clip-on Georgian bars and various glazing bead style options
- 4 Various combinations of fixed and opening sections make this window extremely versatile