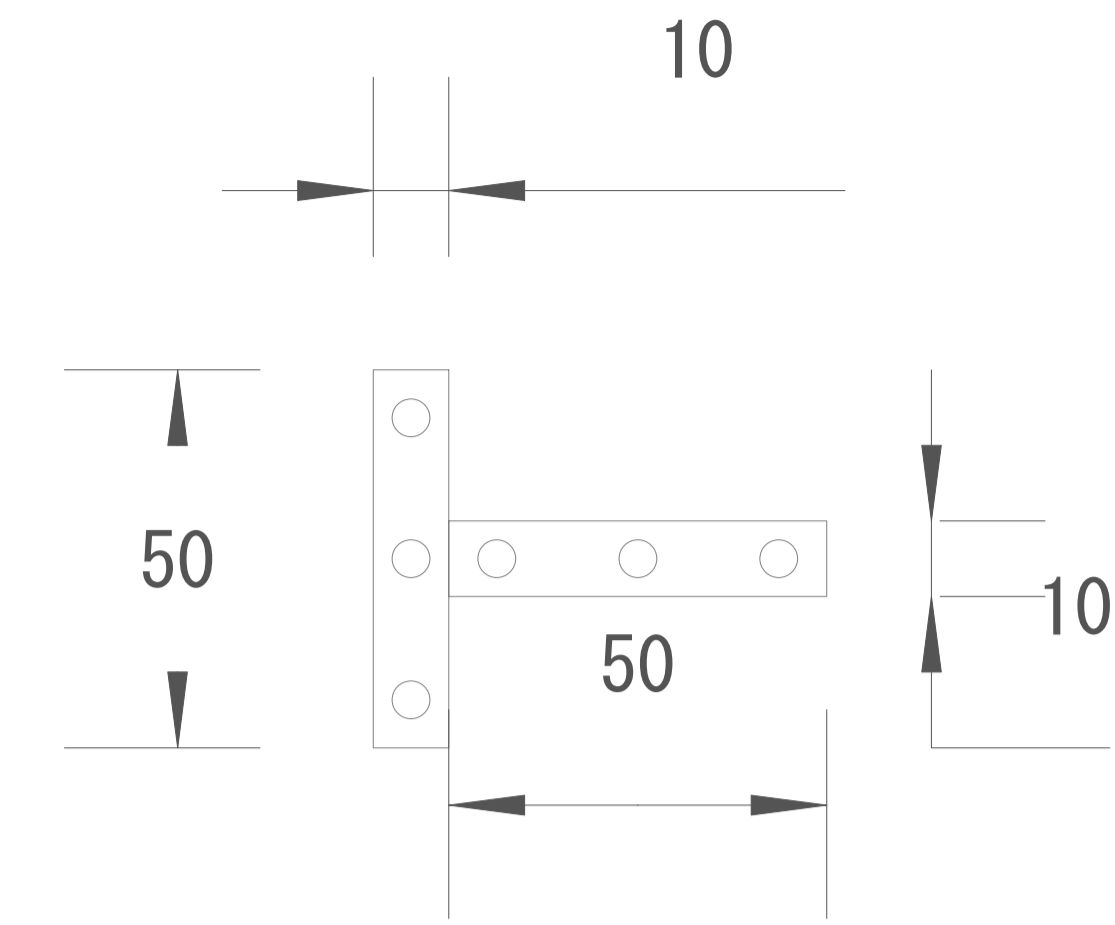
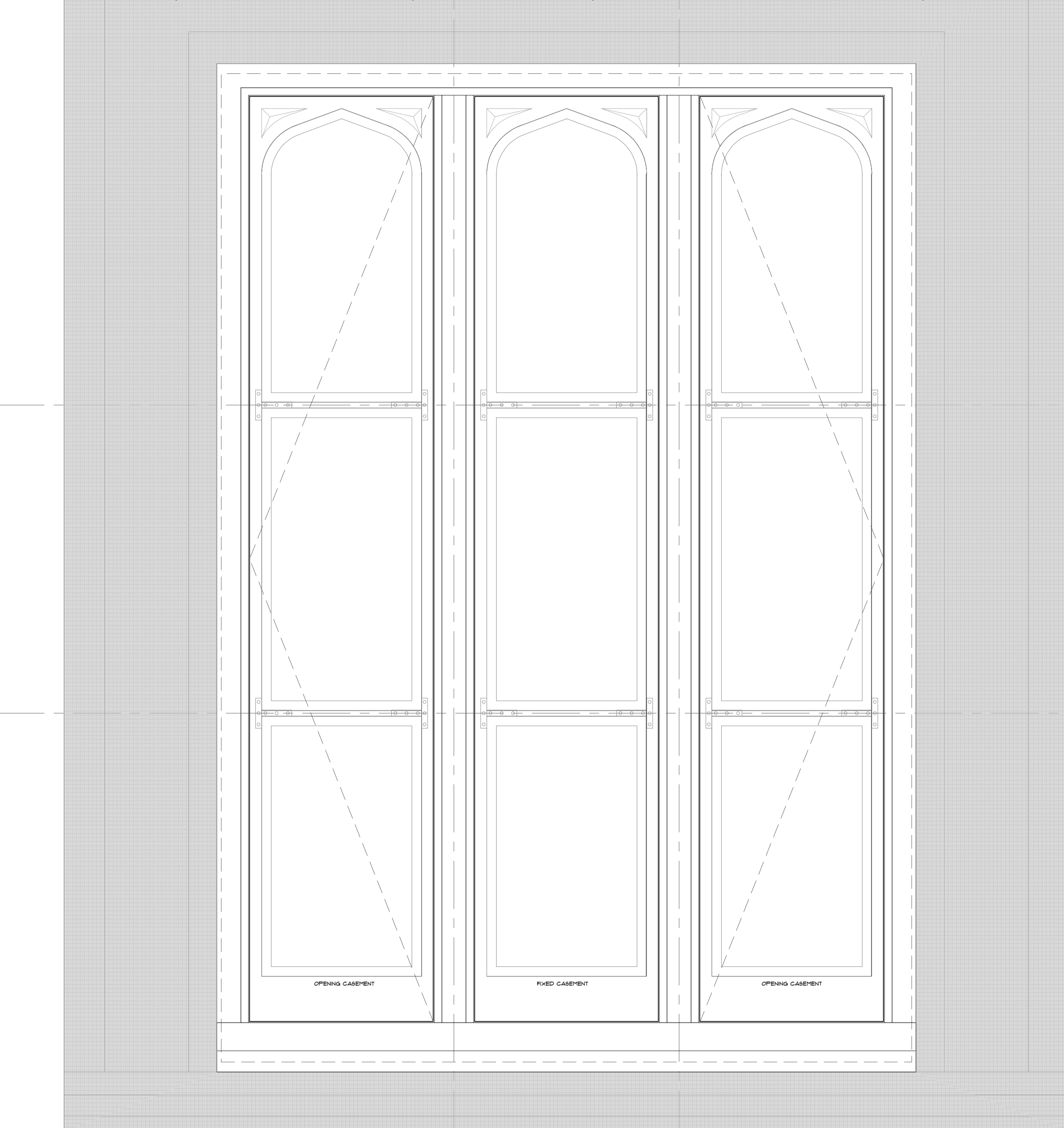
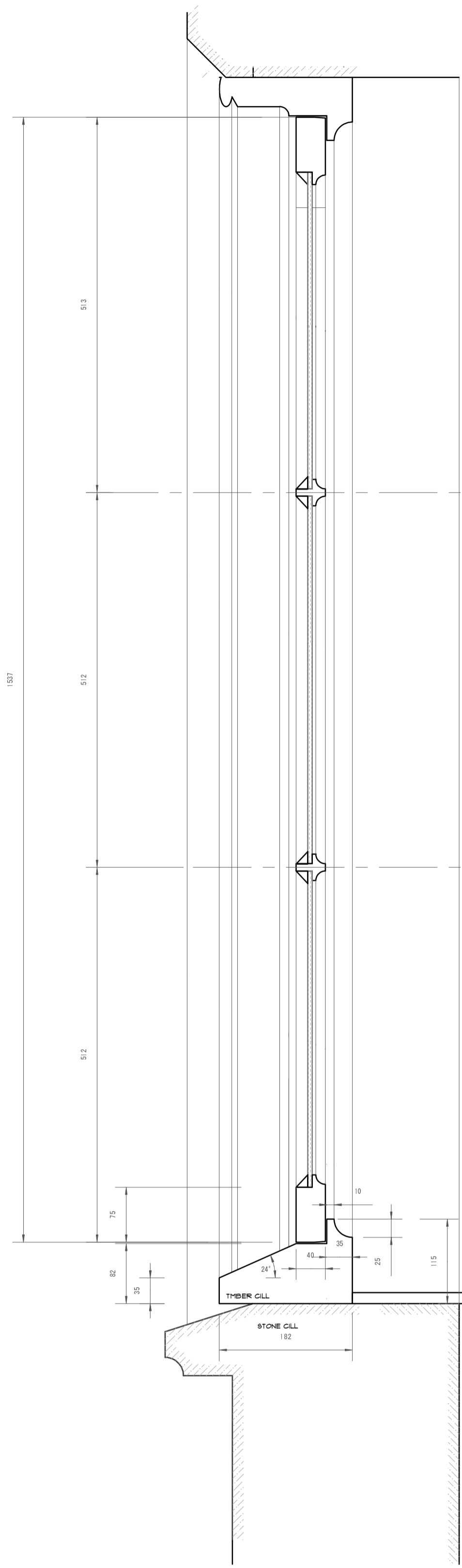
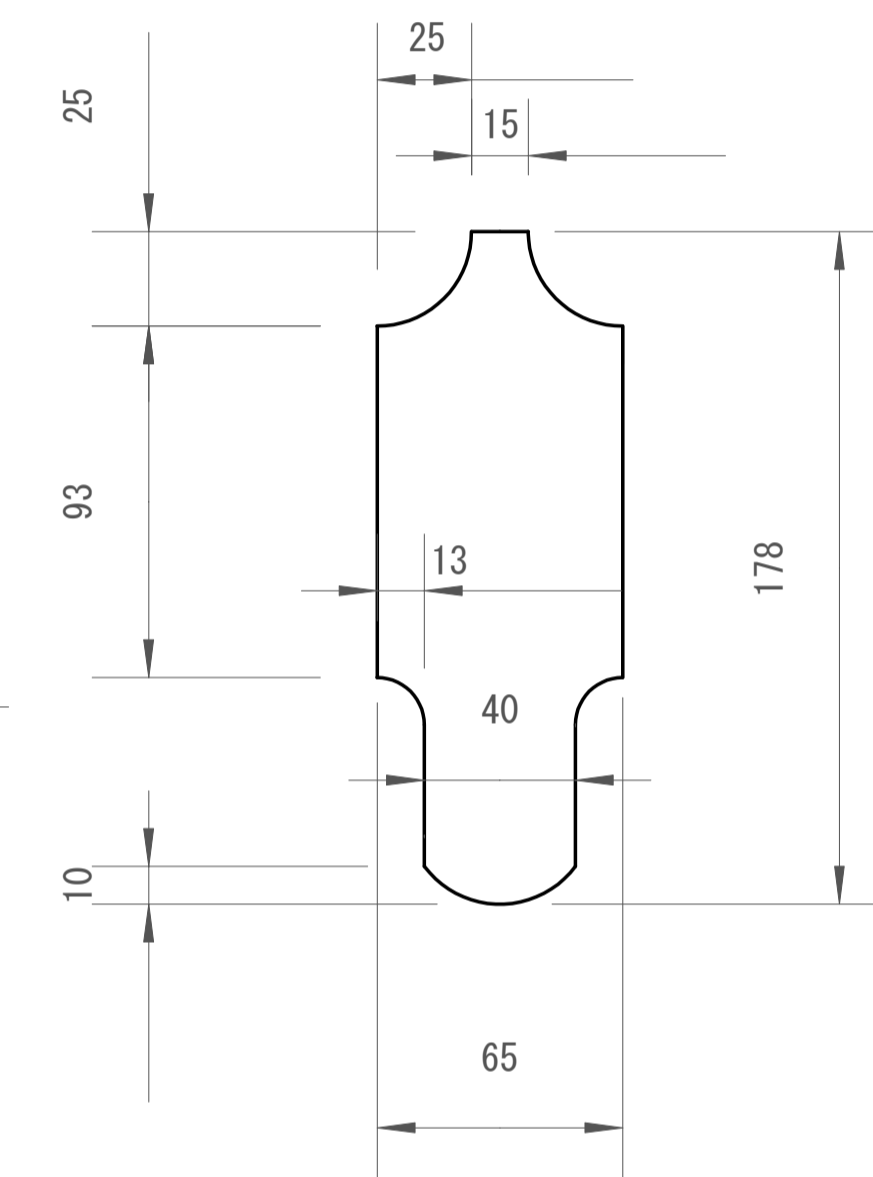


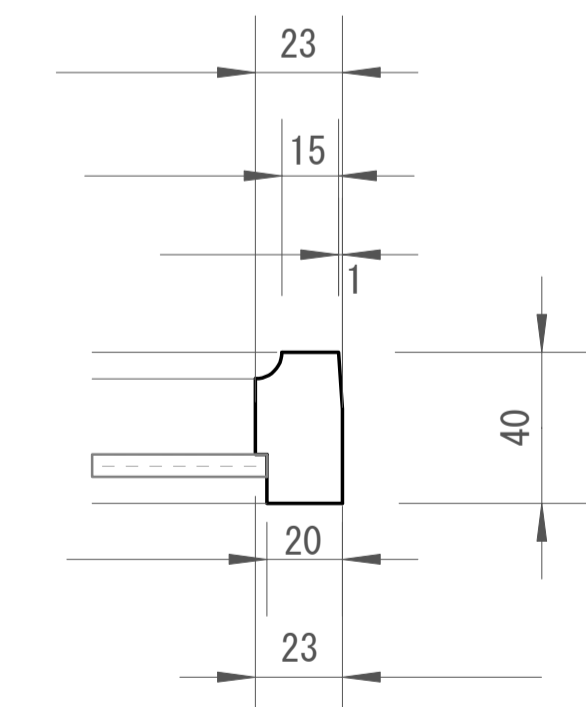
STONework SIMPLIFIED-FOR IDENTIFICATION PURPOSES ONLY



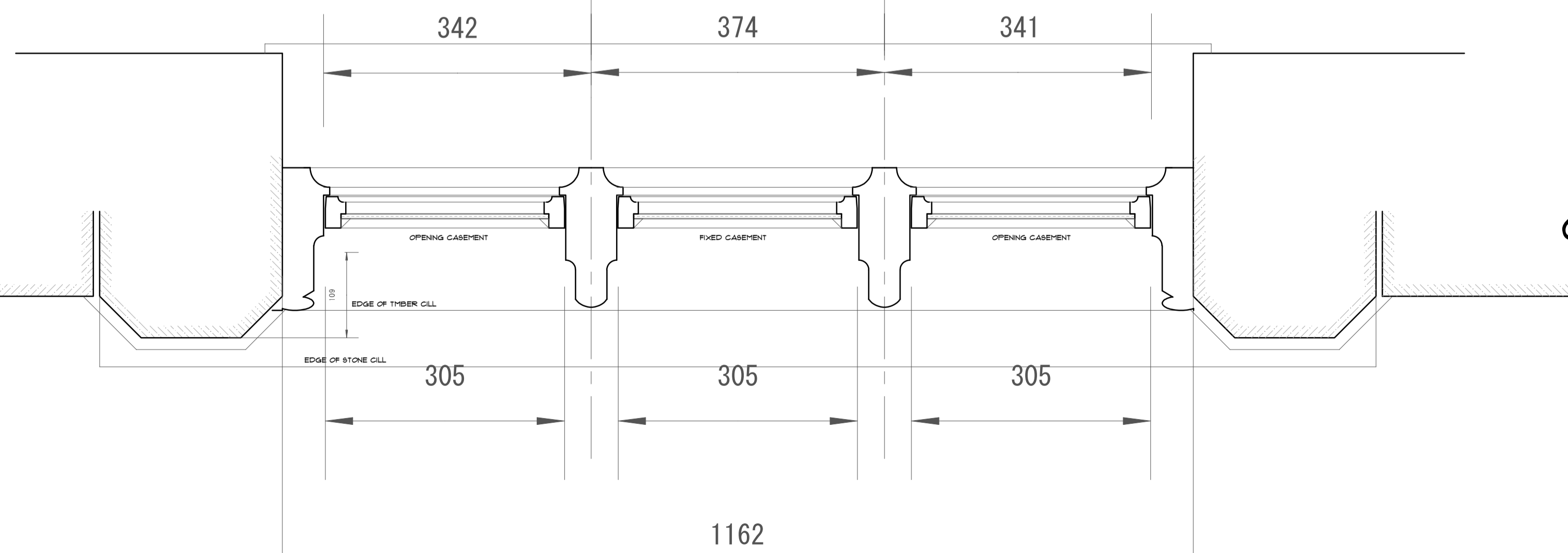
TRANSOME FIXING PLATES



TIMBER MULLION DETAIL



CASEMENT FRAME



Rev	Description	Date
-----	-------------	------

Project title:

THE GATEHOUSE,
HUNSDONBURY,
HERTFORDSHIRE
SG12 8PW

Drawing title:

REPLACEMENT WINDOW DETAILS

Date: MAY 2022	Project No: 569
Scale: 1:5 @ A1	Drawing No: PL. 012

01279 933039 | 0207 1183039 | 01438 530039
W: www.marlin-design.co.uk

