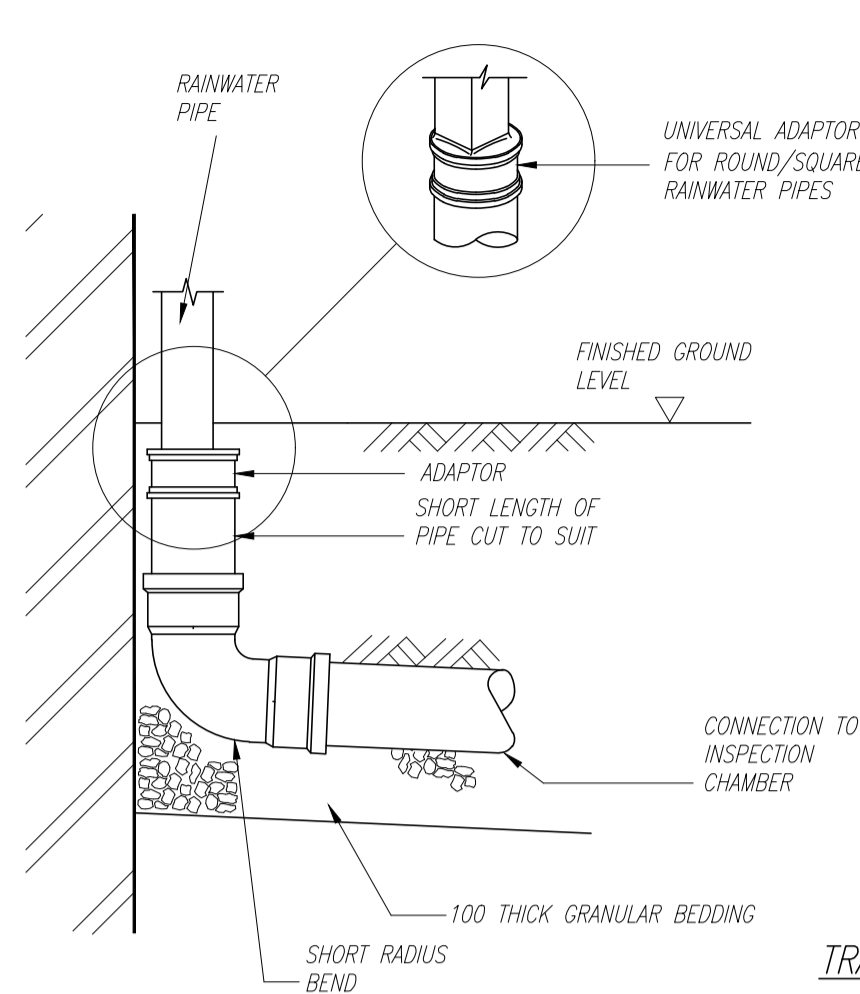
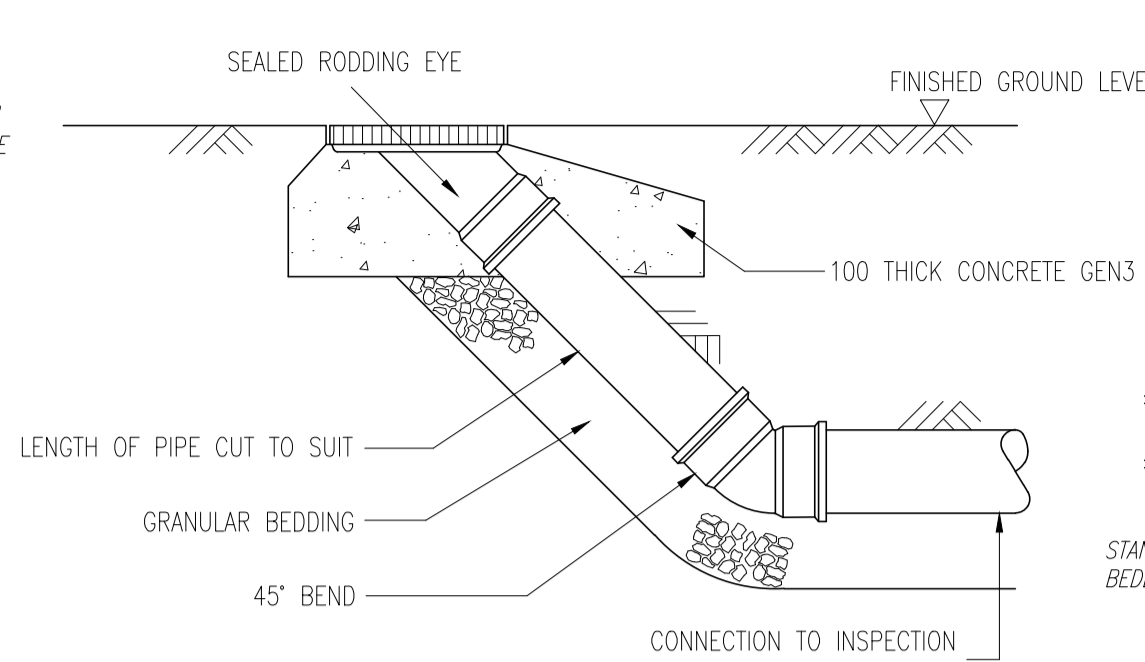


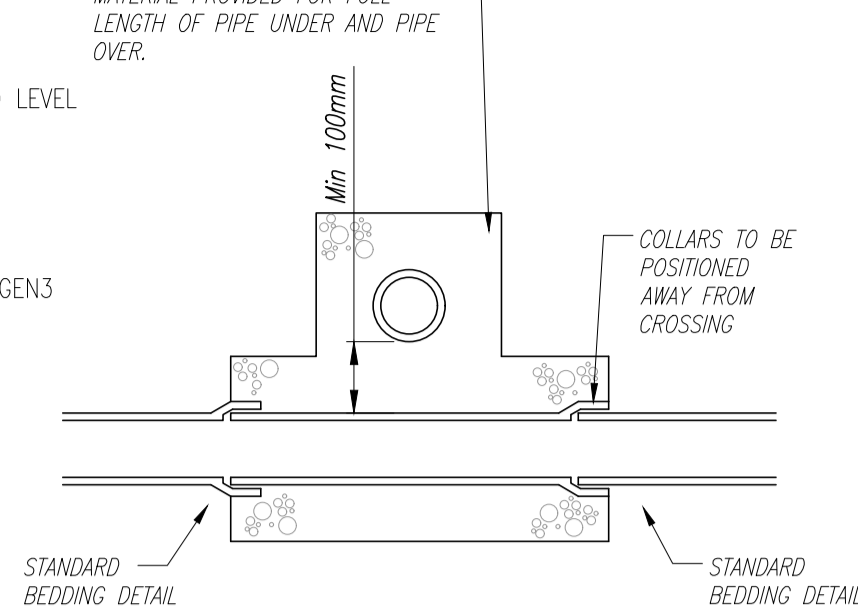
**RAINWATER PIPE CONNECTION**



**SEALED RODDING EYE**

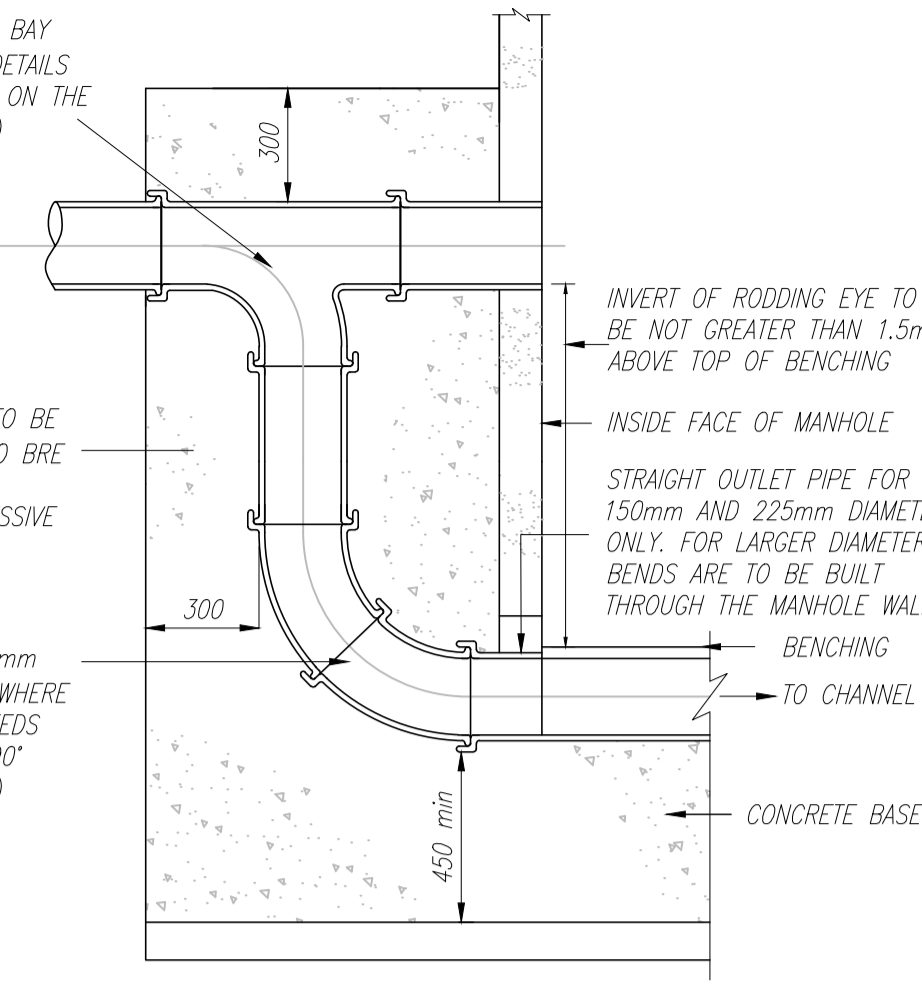


**PIPE CROSSINGS DETAIL**



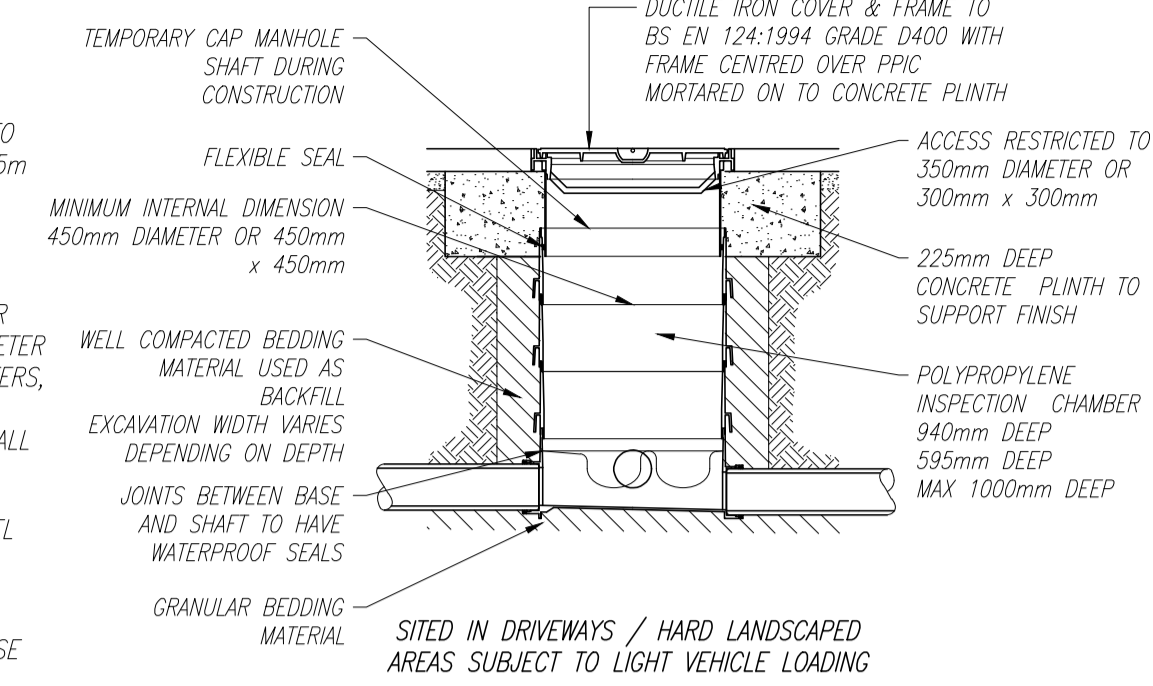
PIPE CROSSINGS DETAIL (SCALE 1:20)

STANDARD TUMBLING BAY JUNCTION (ACTUAL DETAILS WILL BE DEPENDANT ON THE TYPE OF PIPE USED)

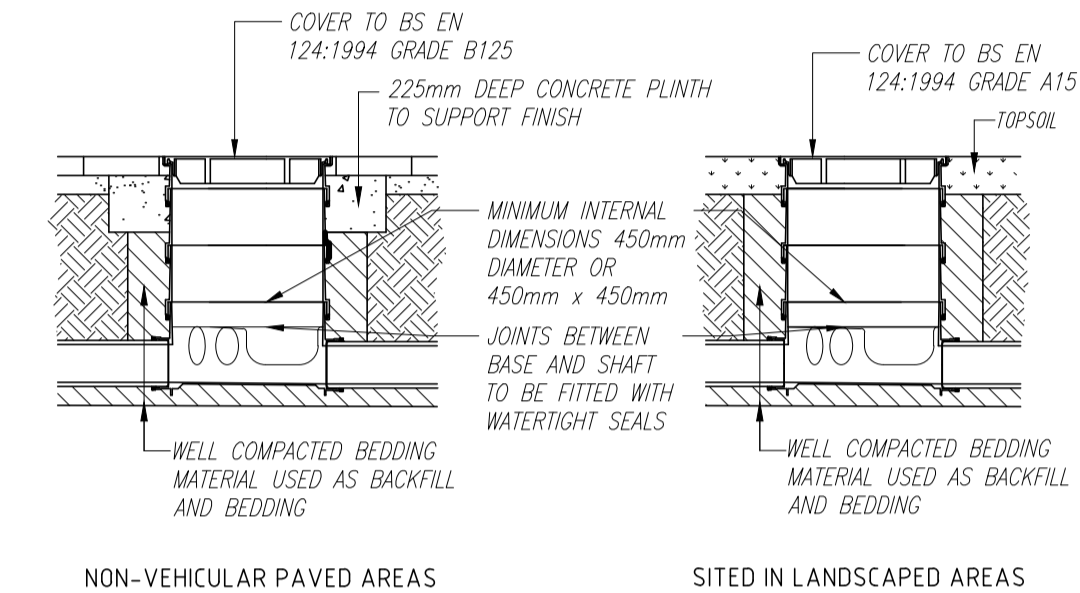


EXTERNAL VERTICAL BACKDROP (SCALE 1:10)

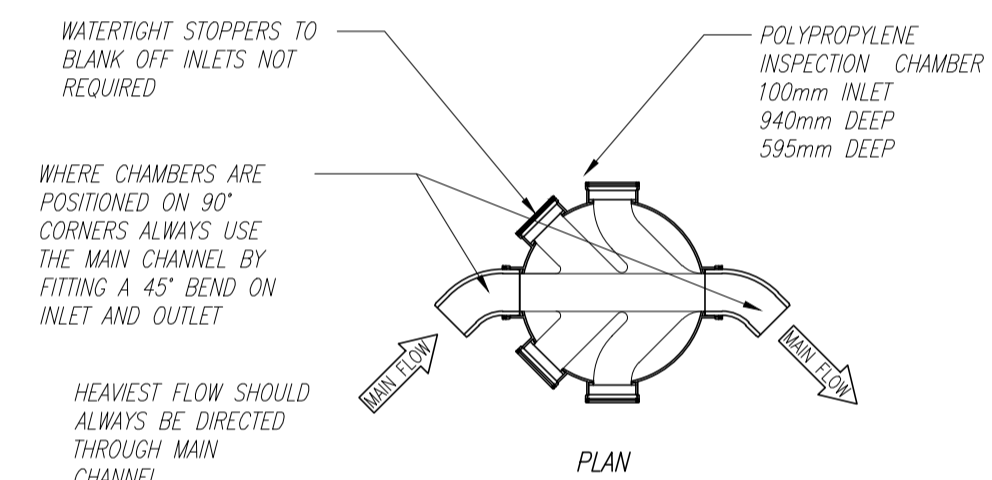
**TYPICAL ACCESS CHAMBER TYPE 4**  
MAX 3.0m DEEP (NON ENTRY)



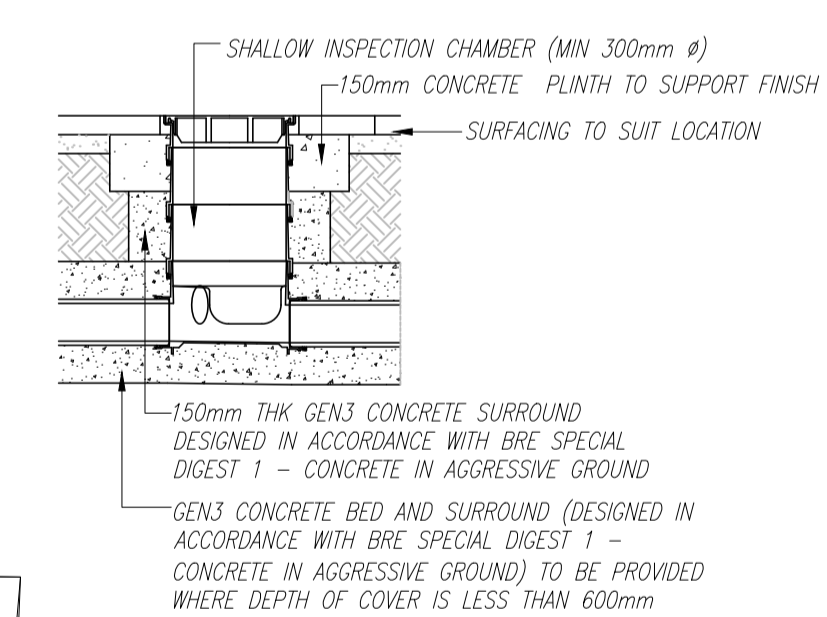
**TYPICAL ACCESS CHAMBER TYPE 5**  
MAX 1000mm DEEP (NON ENTRY)



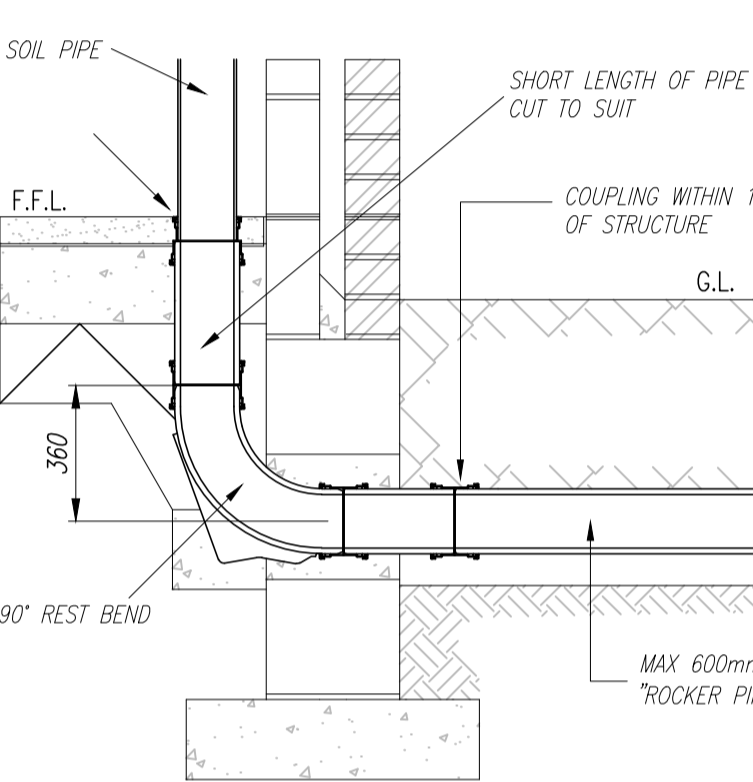
**TYPICAL ACCESS CHAMBER BASE UNIT PLAN DETAIL**



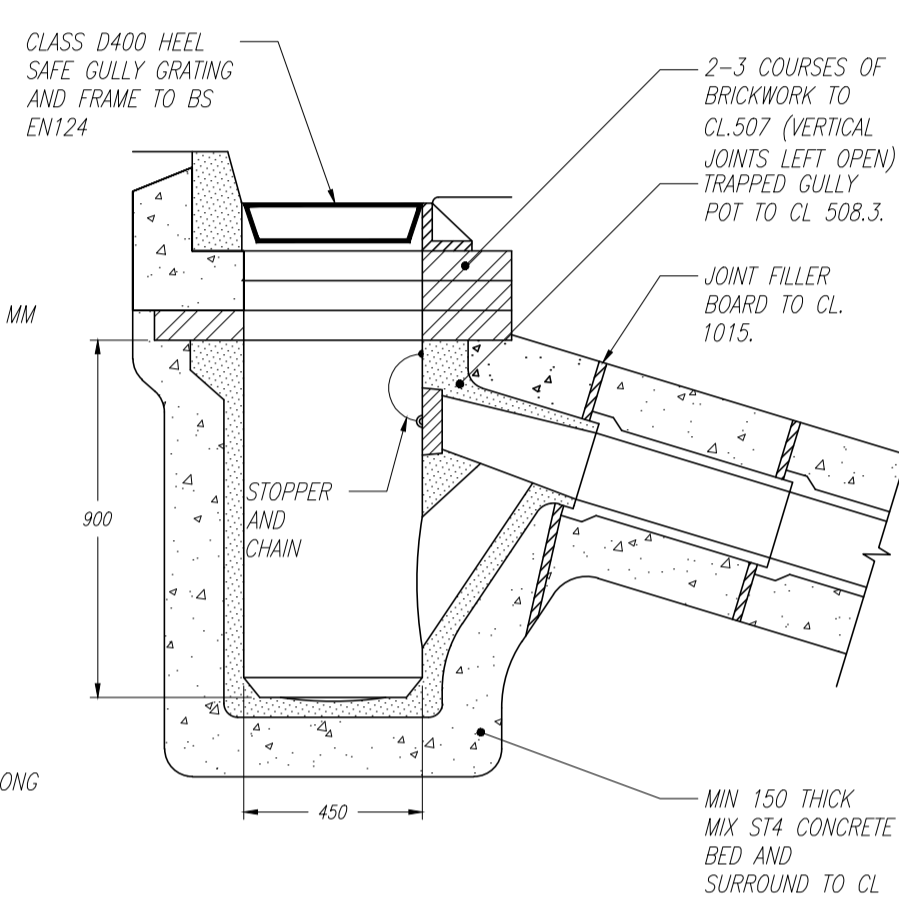
**SHALLOW INSPECTION CHAMBER (TYPE 6) DETAIL**  
300ø (MAX) MAX DEPTH 0.6m



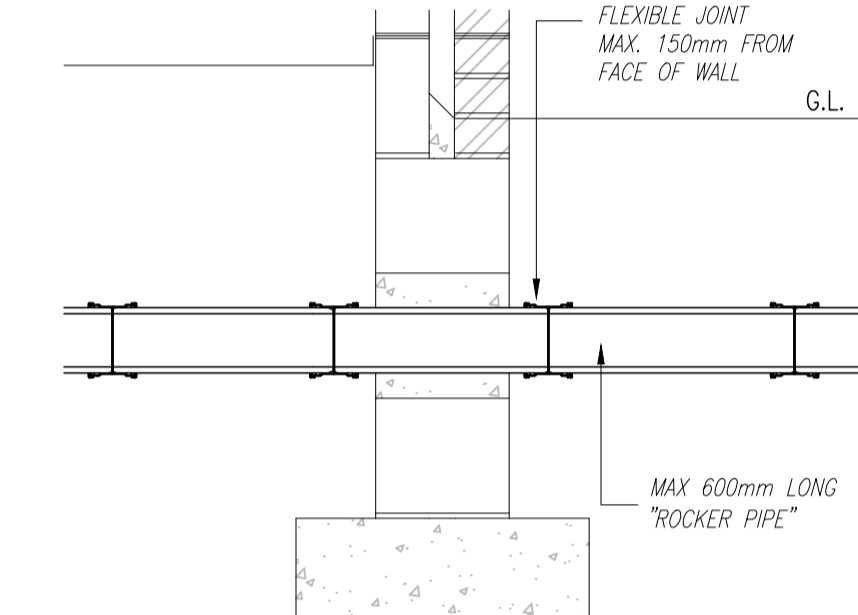
**SOIL & VENT PIPE CONNECTION DETAIL**



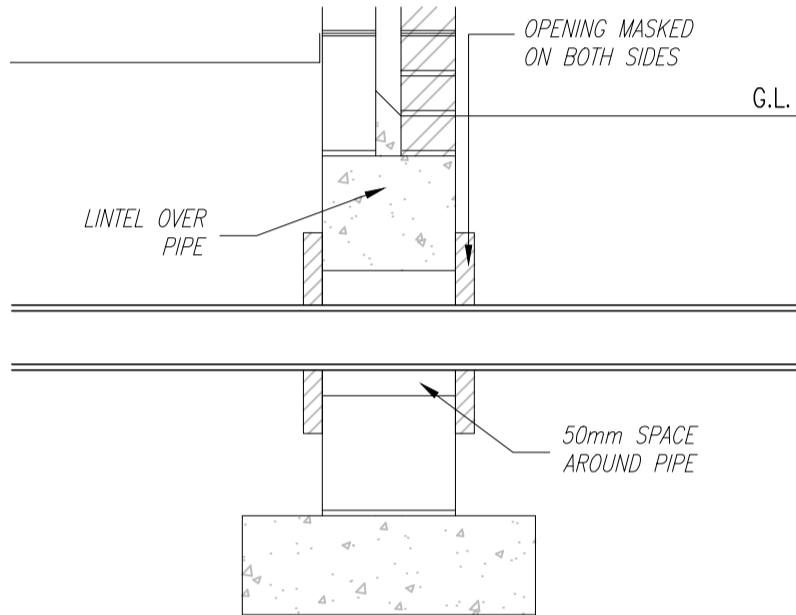
**TRAPPED GULLY WITH SPIGOT OUTLET**



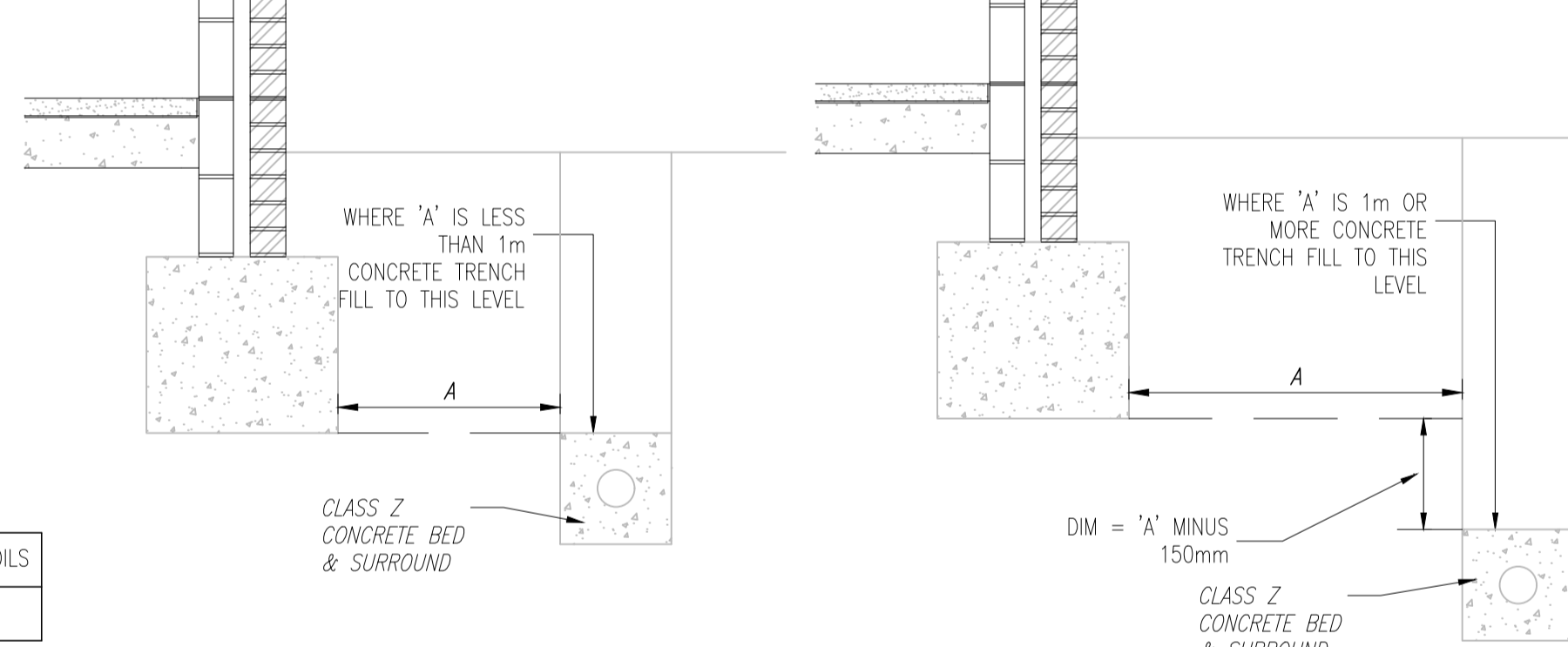
**PIPE BEDDED IN WALL FOUNDATION**



**PIPE PASSING THROUGH LINTELLED OPENING**

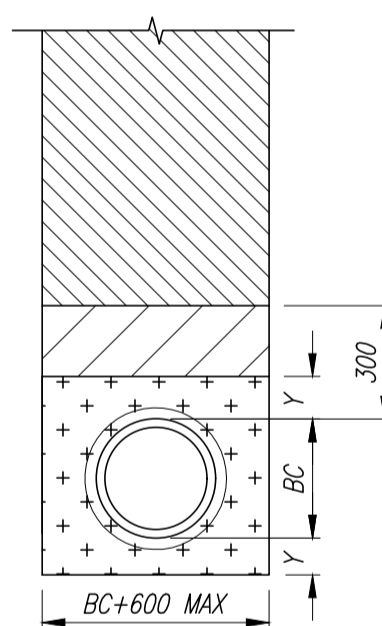


**PIPE RUNS NEAR BUILDINGS**

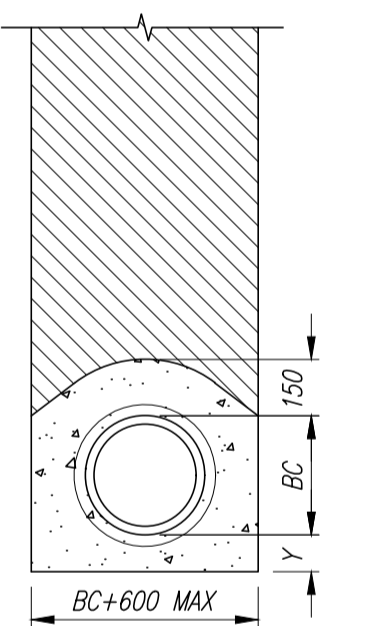


**PIPE BEDDING DETAILS**

**PIPE BEDDING DETAIL 1**  
GRANULAR BED AND SURROUND CLASS 'S'



**PIPE BEDDING DETAIL 2**  
CONCRETE BED AND SURROUND CLASS 'Z'



**KEY**

- SUITABLE BACKFILL MATERIAL.
- SELECTED SIDEFILL AND SURROUND.
- GRANULAR BEDDING MATERIAL.
- GEN3 CONCRETE

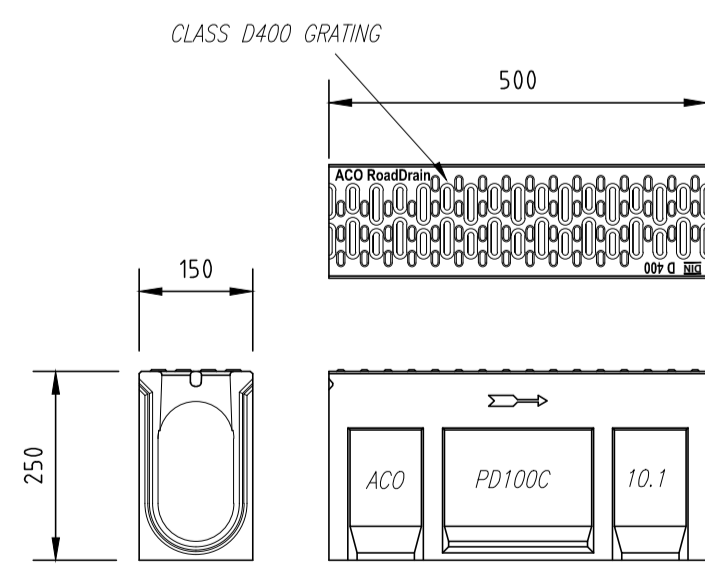
DN = NOMINAL INTERNAL DIAMETER OF PIPE.  
BC = OUTSIDE DIAMETER OF PIPE.

**DIMENSION Y**

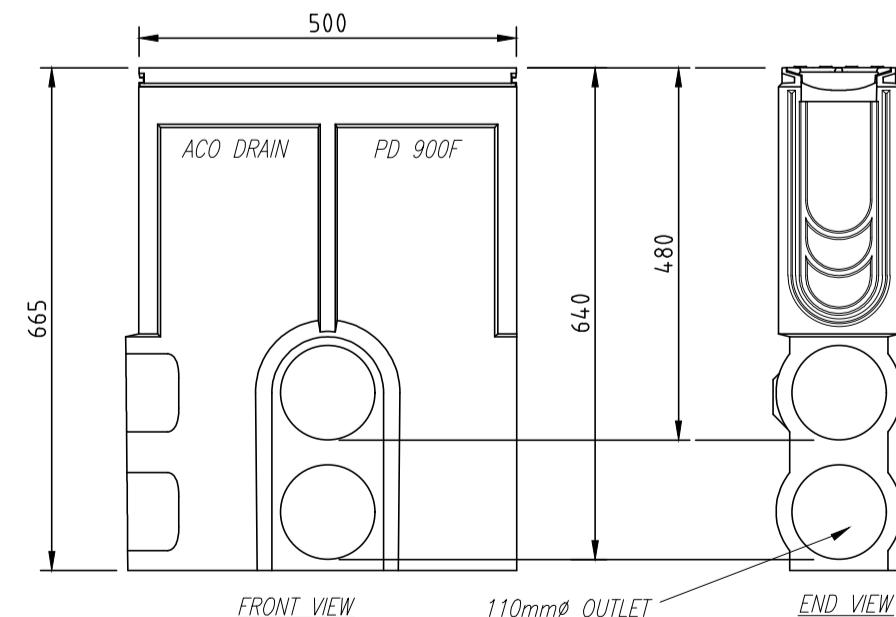
CLASS	MACHINE DUG UNIFORM SOIL	ROCK OR MIXED SOILS
S & Z	NOTE (i)	NOTE (ii)

(i) Y=BC/6, WITH MIN 100 UNDER BARRELS (50 FOR SLEEVE JOINTED) AND MIN 50 UNDER SOCKETS, WHICHEVER IS THE GREATER, WITH MAX OF 400.

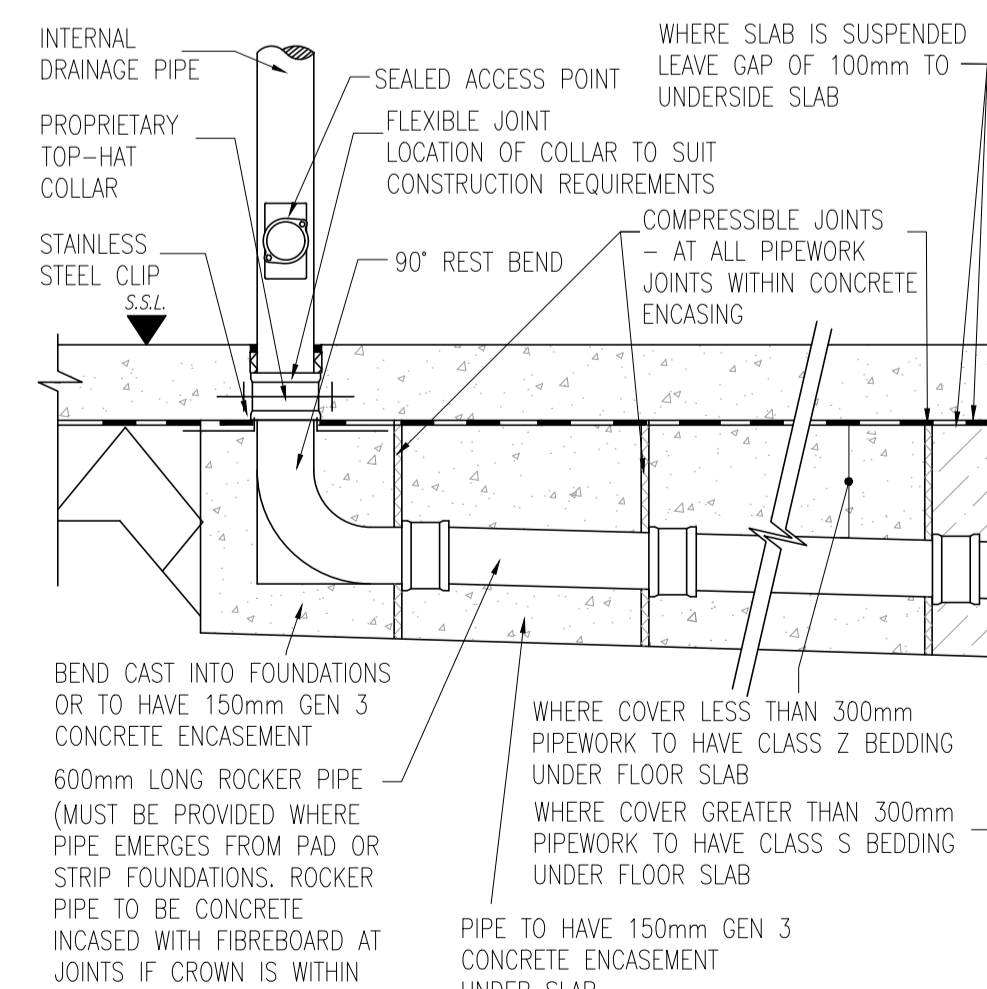
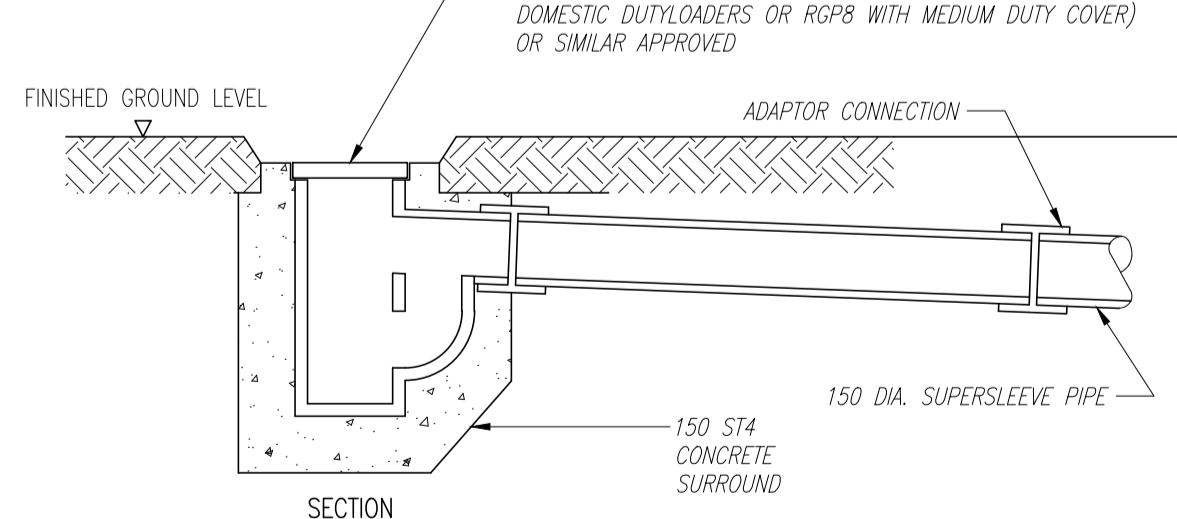
**ACO CHANNEL DRAIN**



**ACO SUMP CHAMBER/OUTLET UNIT**



**YARD GULLY DETAIL**



**DRAINAGE UNDER BUILDINGS**  
(SCALE 1:20)

PO1	First issue	TN	05/04/23
REV:	DESCRIPTION:	BY:	DATE:
STATUS: <b>PLANNING</b>			

**TJ Infrastructure**  
Toby.Nicks@TJInfrastructure.com

CLIENT: **Martin Brice & Jenna Brice**  
ARCHITECT: **Barefoot Architects**

SITE: **Springfield House, Regil**  
TITLE: **Drainage Details (Sheet 1 of 2)**  
SCALE AT A1: **AS SHOWN** DATE: **05/04/23** DRAWN: **TN** CHECKED: **TN**  
PROJECT NO: **SFH** DRAWING NO: **D-005** REVISION: **P01**