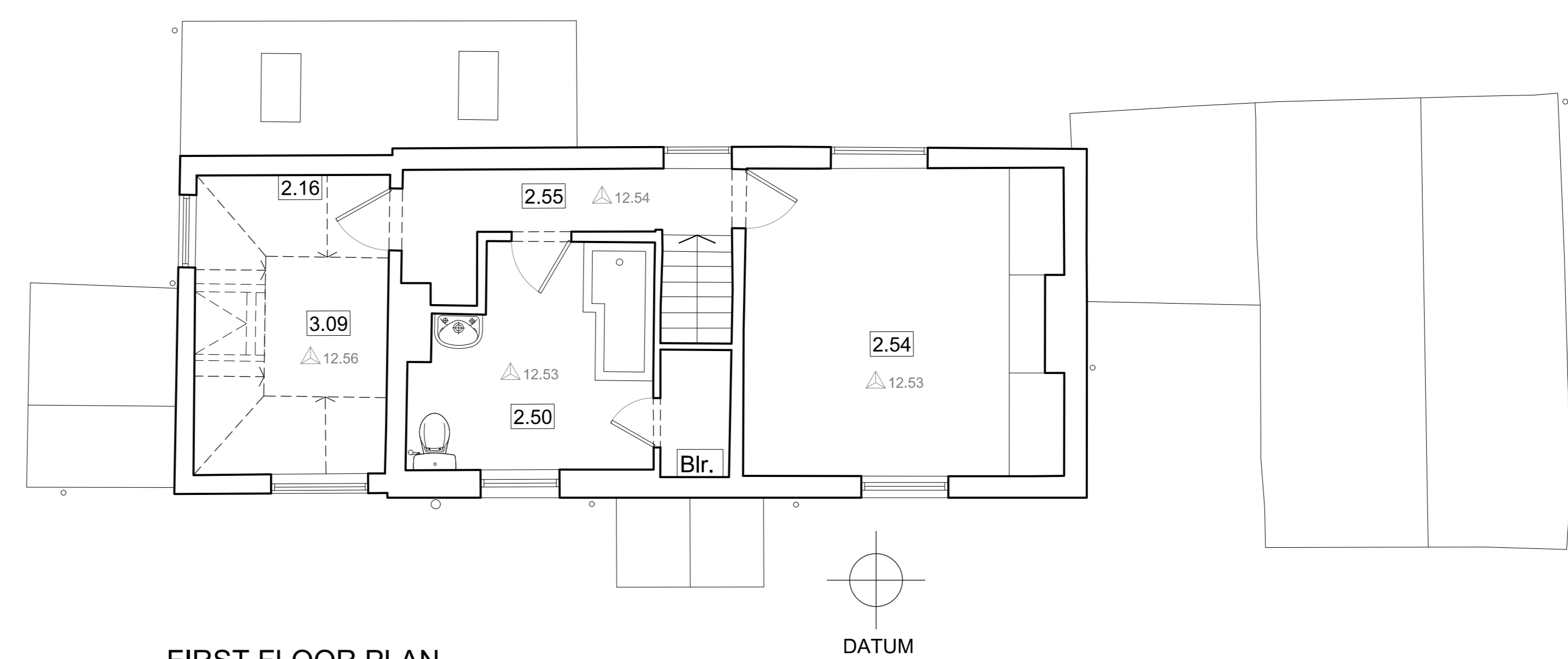
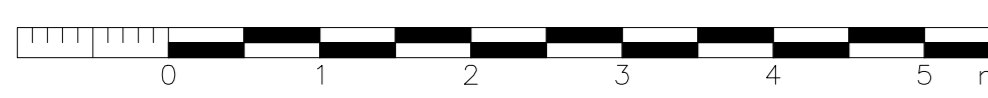


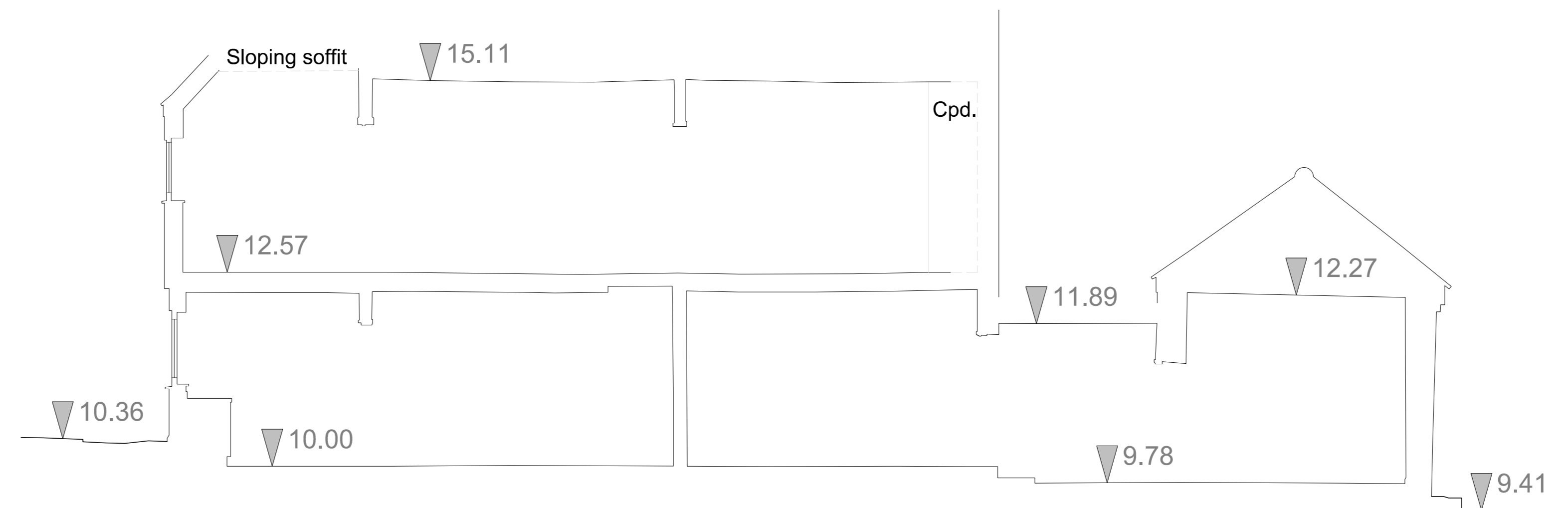
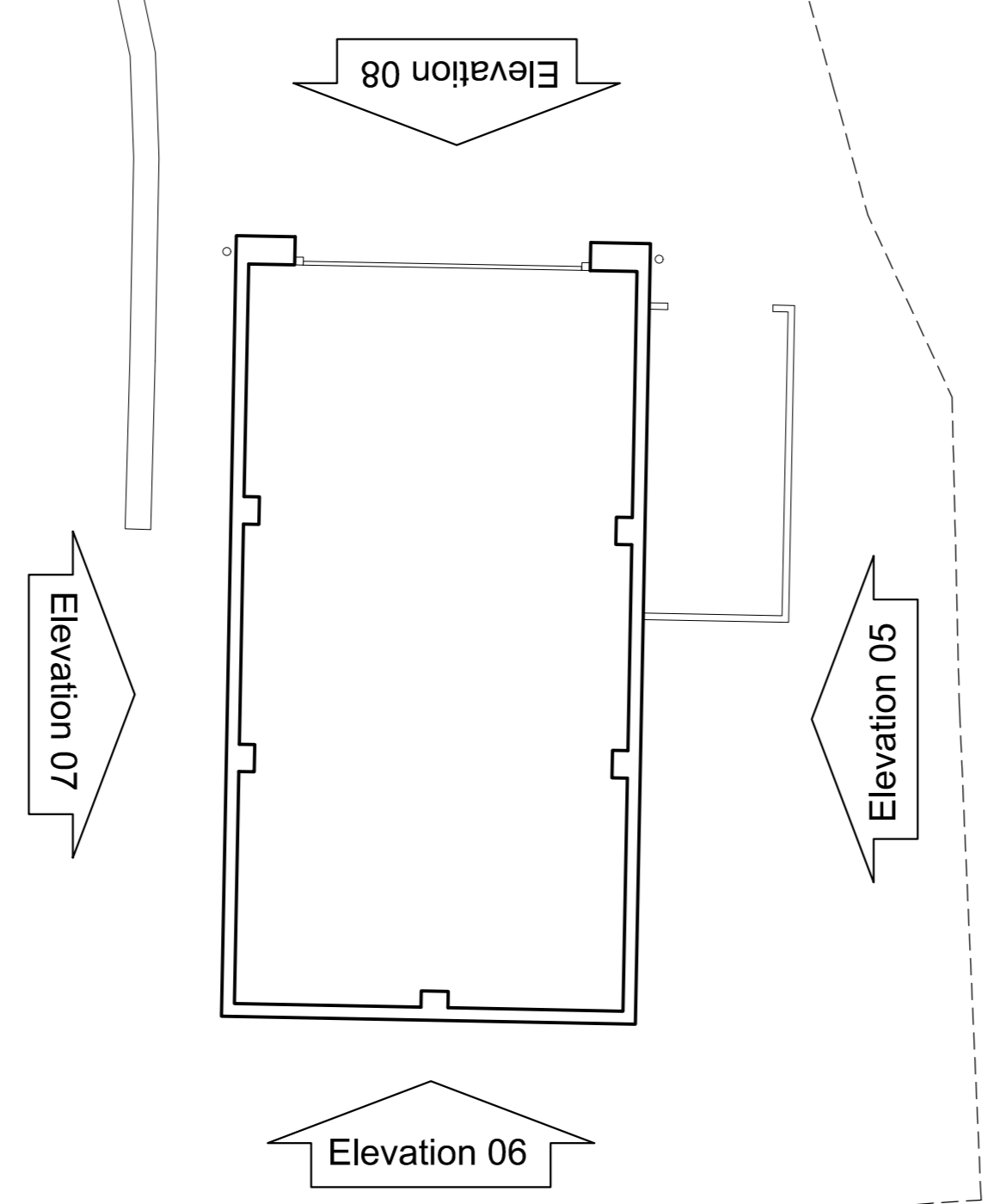
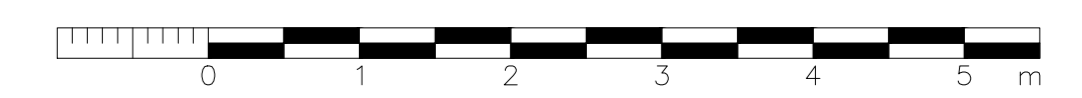
GROUND FLOOR / PART SITE PLAN
 SCALE: 1:50



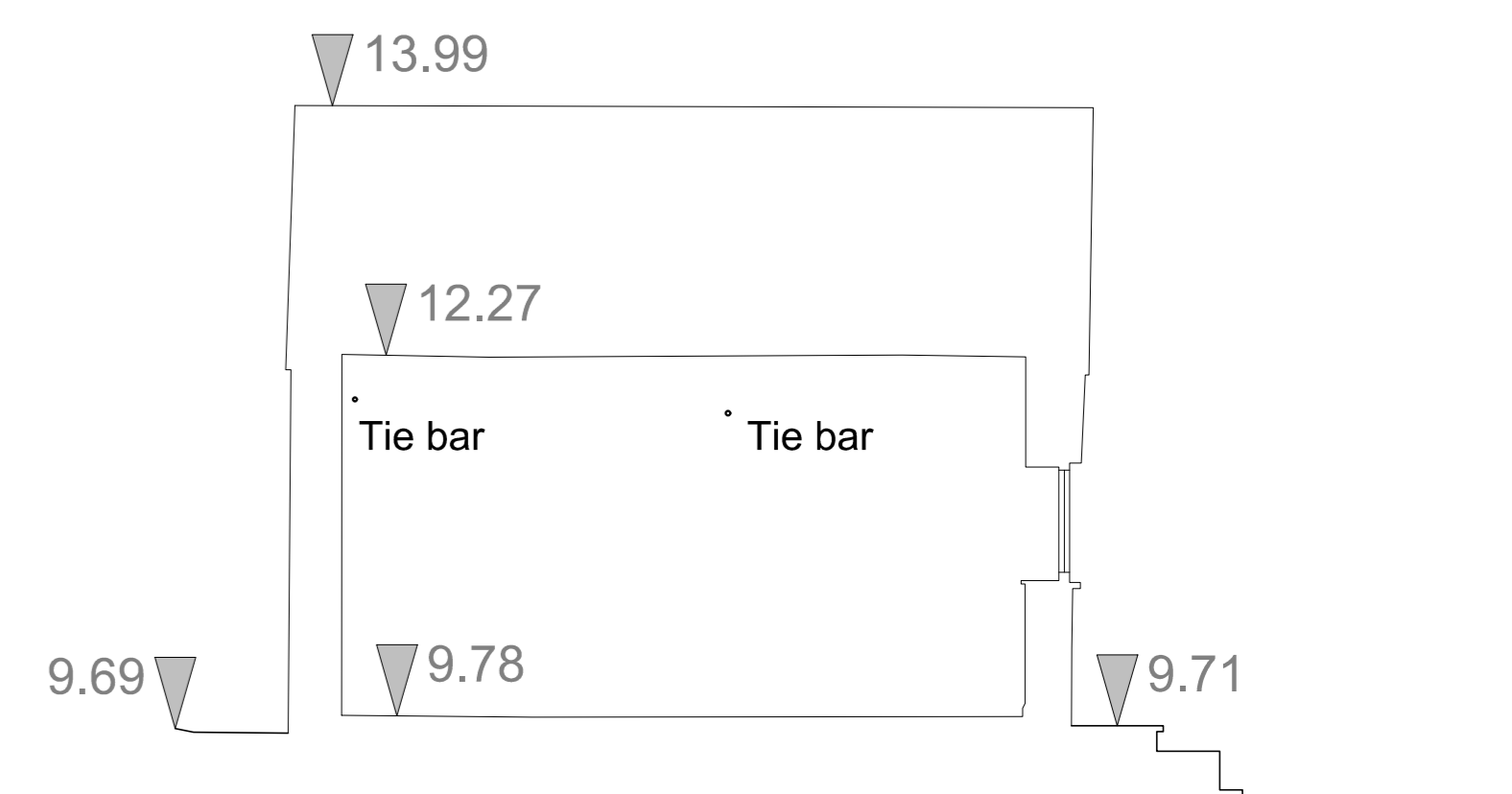
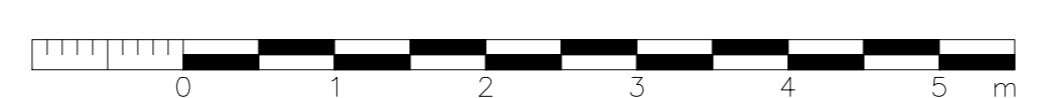
FIRST FLOOR PLAN
 SCALE: 1:50



SECOND FLOOR PLAN
 SCALE: 1:50



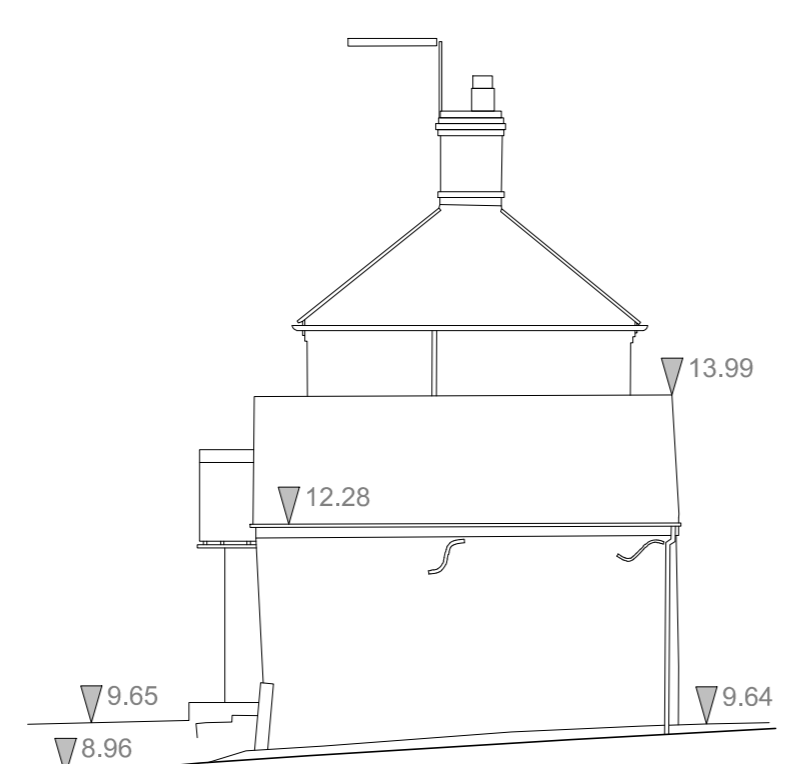
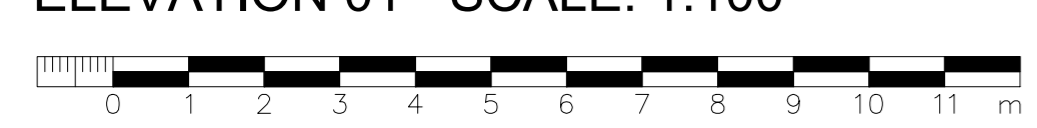
SECTION AA - SCALE: 1:150



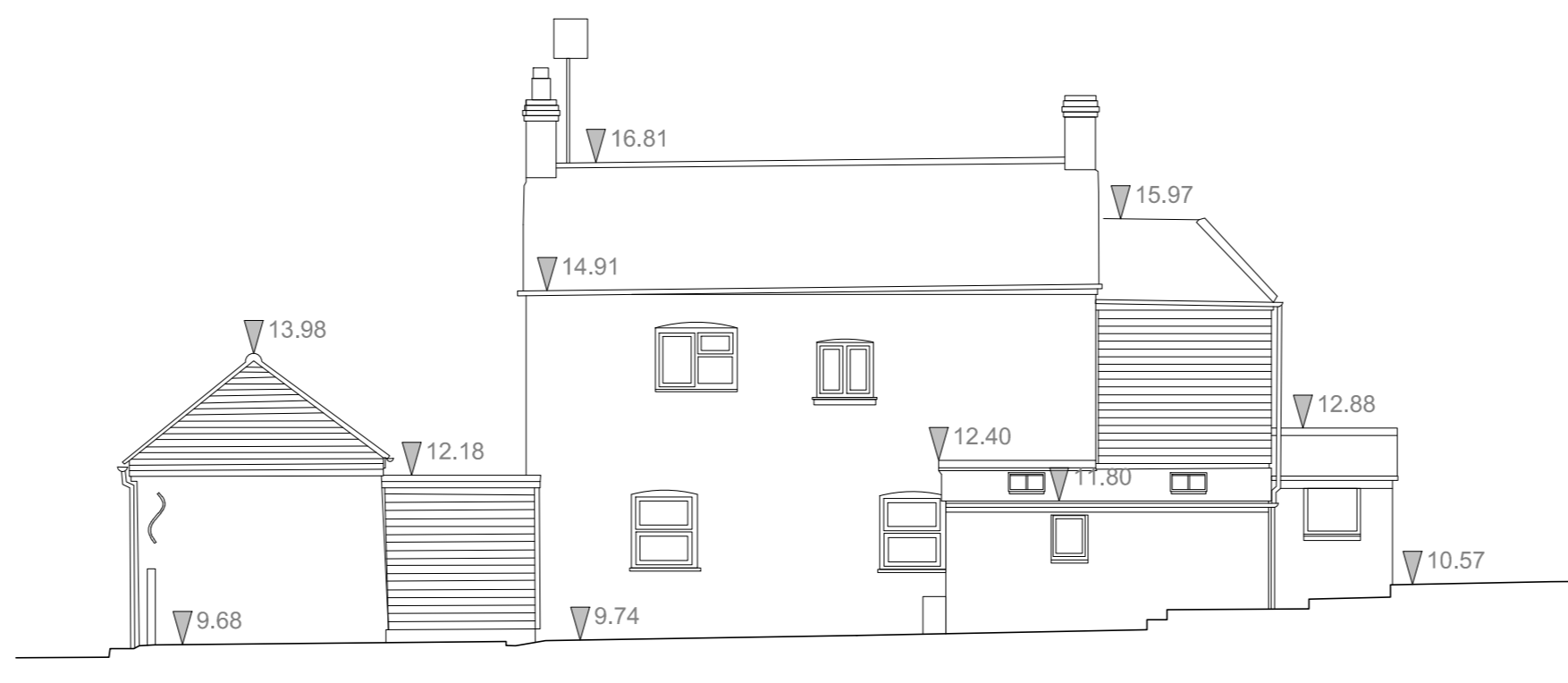
SECTION BB - SCALE: 1:100



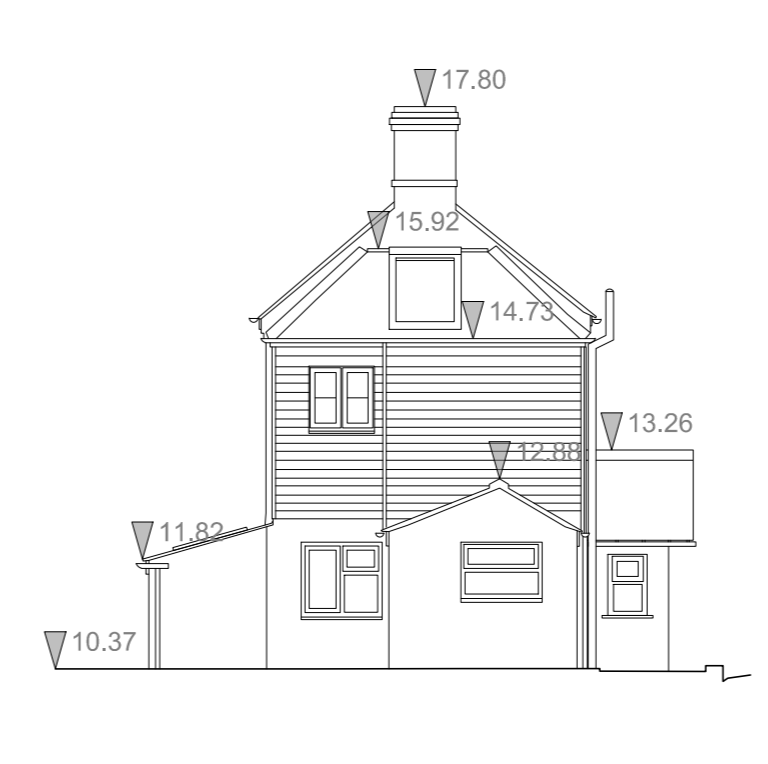
ELEVATION 01 - SCALE: 1:100



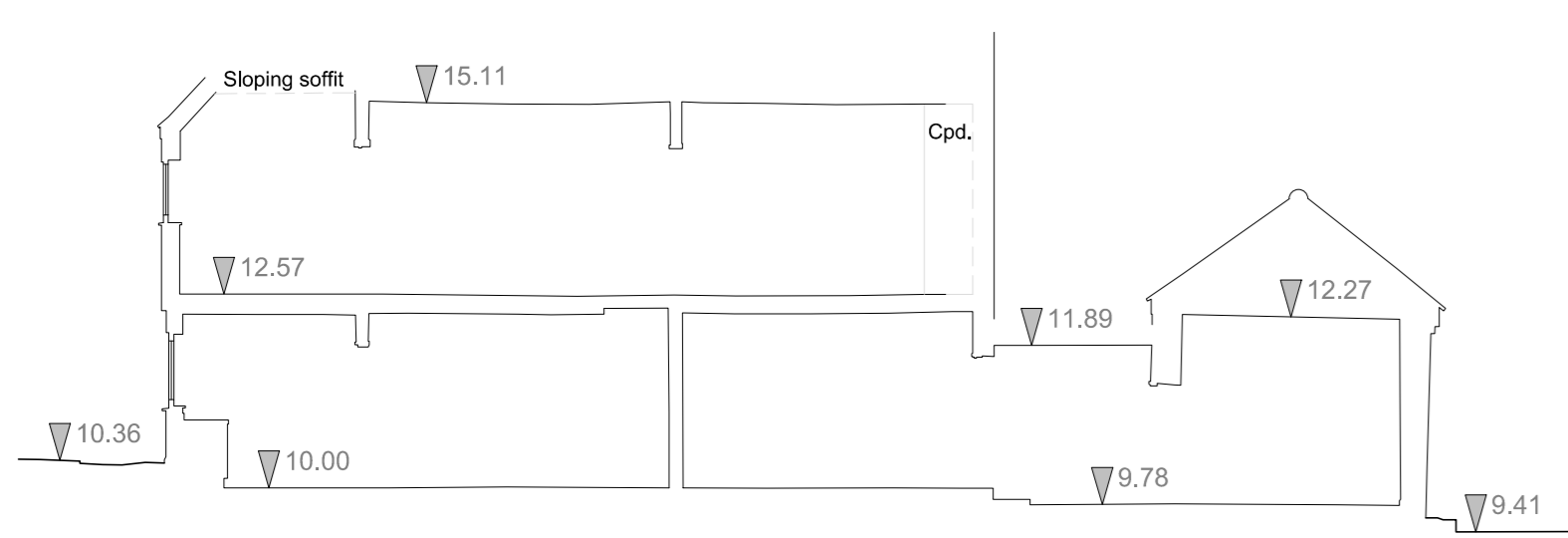
ELEVATION 02 - SCALE: 1:100



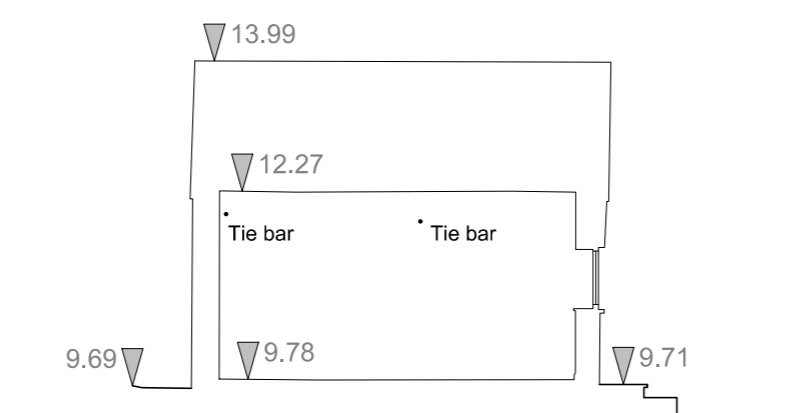
ELEVATION 03 - SCALE: 1:100



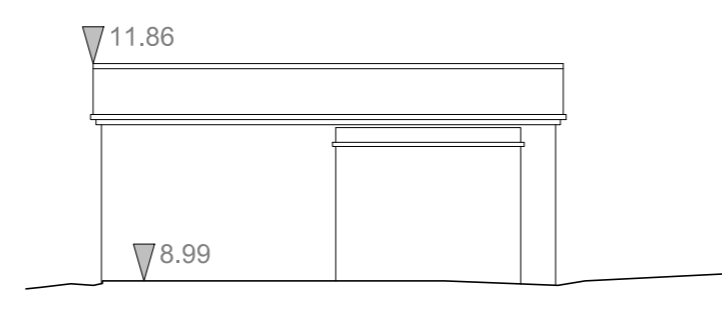
ELEVATION 04 - SCALE: 1:100



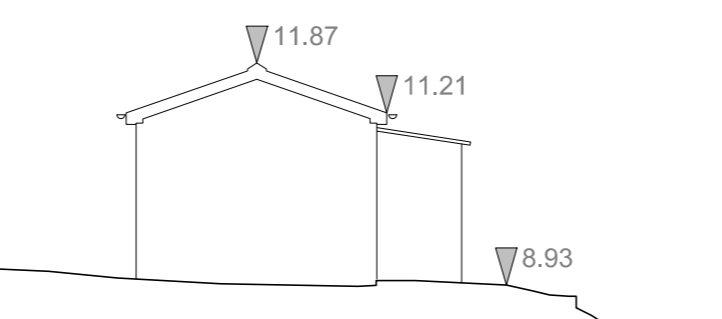
SECTION AA - SCALE: 1:100



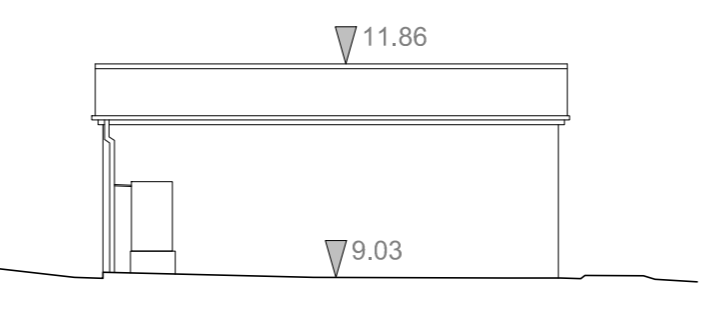
SECTION BB - SCALE: 1:100



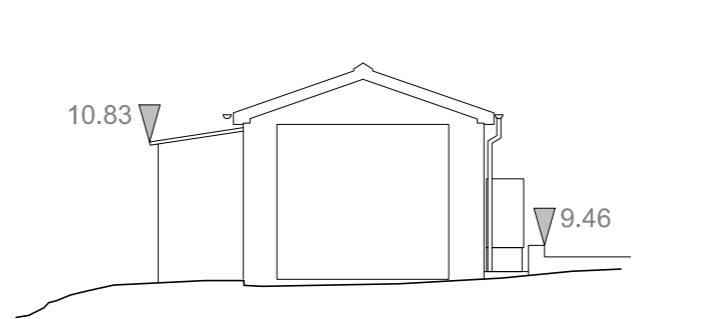
ELEVATION 5 - SCALE: 1:100




ELEVATION 6 - SCALE: 1:100



ELEVATION 7 - SCALE: 1:100



ELEVATION 8 - SCALE: 1:100

A Sections & Garage Elevations 13.8.23 DC			
Revision No.	Details	Date	Init. / Chkd.
Client: Mr M Brown Willow Cottage The Gardens Adstock, MK18 2JF			
Project: Willow Cottage The Gardens Adstock MK18 2JF			
Dwg. Title: Existing Plans, Elevations & Sections			
Date: 26.04.23	Scale: As Shown@A0		
Surveyor: DC	Dwg. No.:		
Job No.: 5932	5932.01 A		
 David Cosby CHARTERED SURVEYORS SURVEYING · SALES · ARCHITECTURE Little Court Cottage Maidford Road Farmington Northamptonshire NN12 3HE T: 01327 361664 E: enquiries@davidcosby.co.uk www.davidcosby.co.uk			