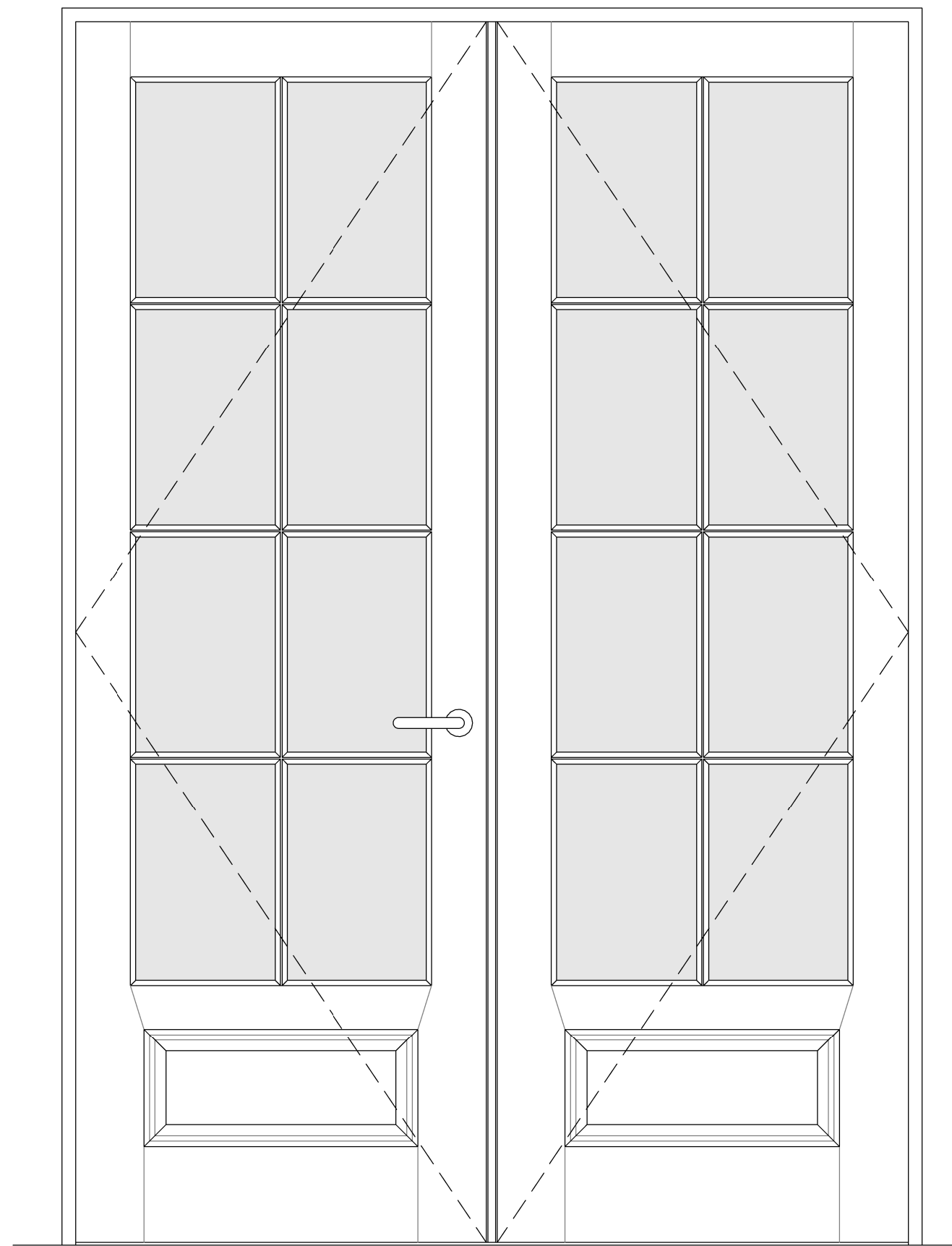
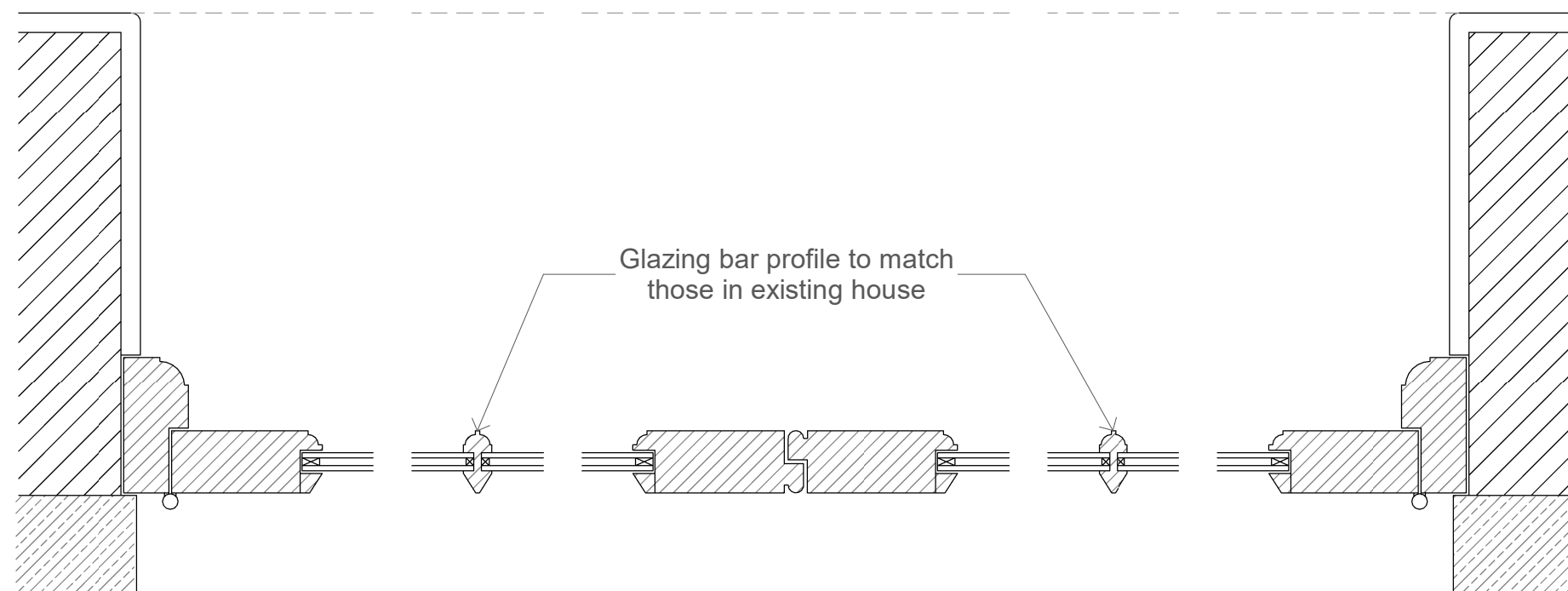


Extension door details
1:5



Extension door elevation
1:20

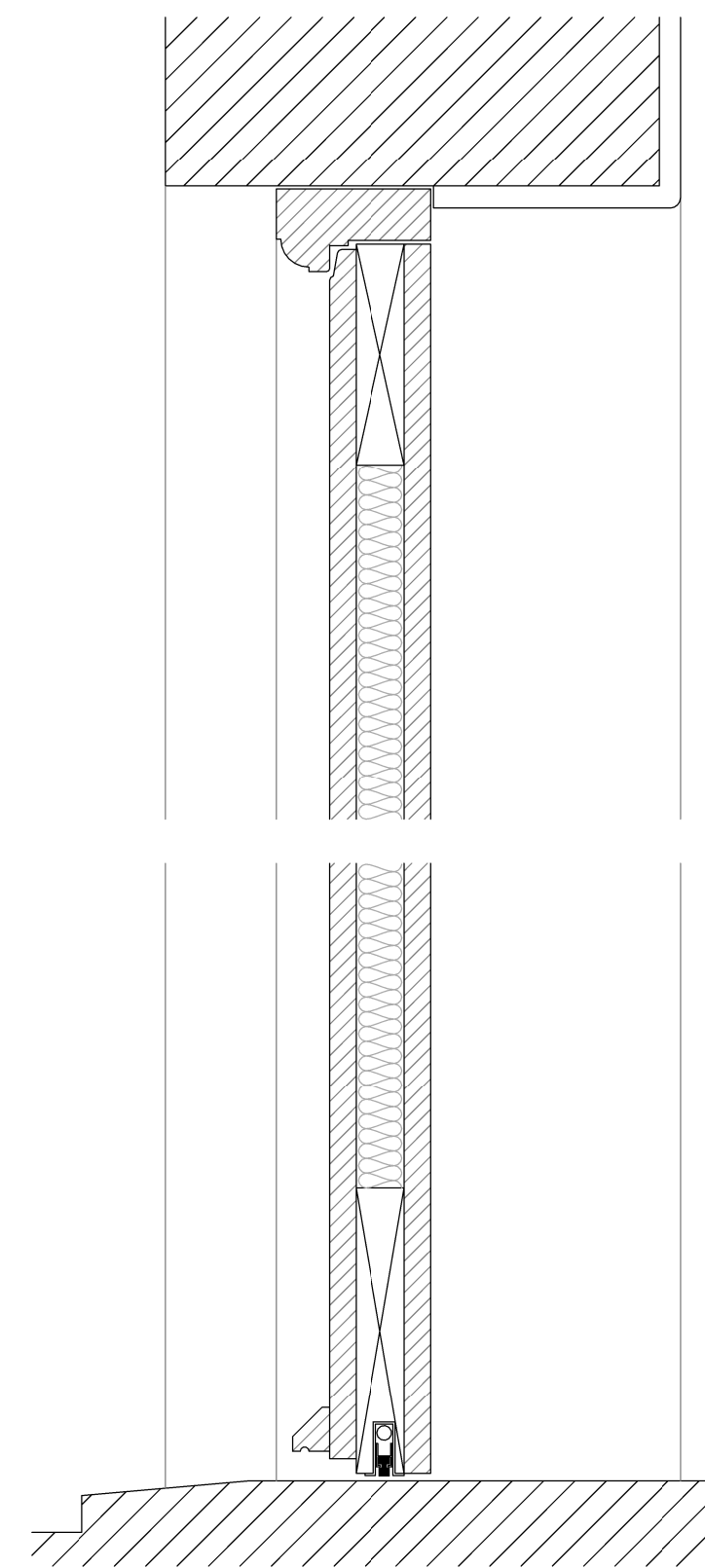


Extension door details
1:5

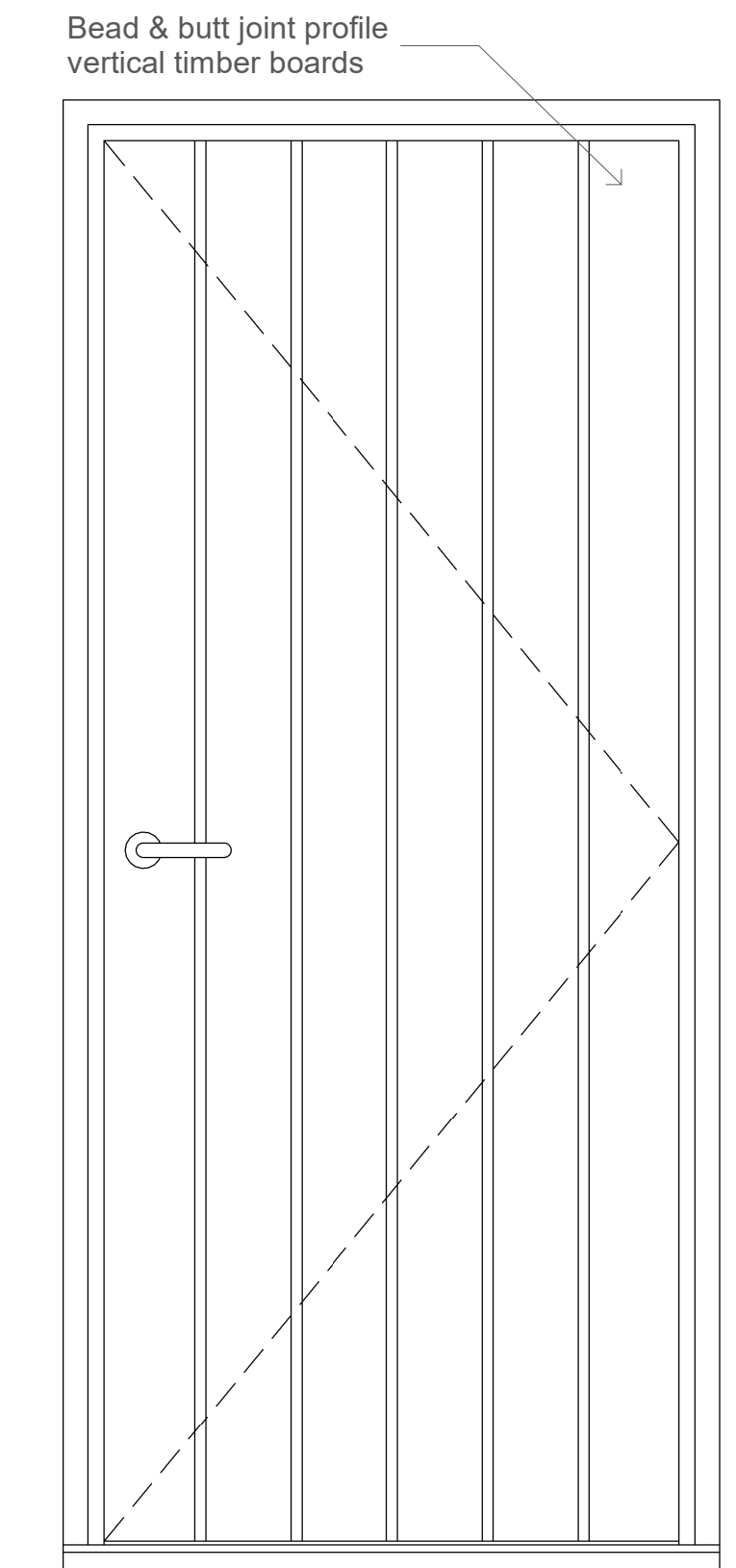
Planning

This drawing has been prepared for workstages up to planning application purposes only and is not intended "for construction". The 'scale bar' should only be used to check the drawing has been reproduced to the correct size. No responsibility can be accepted for errors made by others in "scaling" from this drawing.

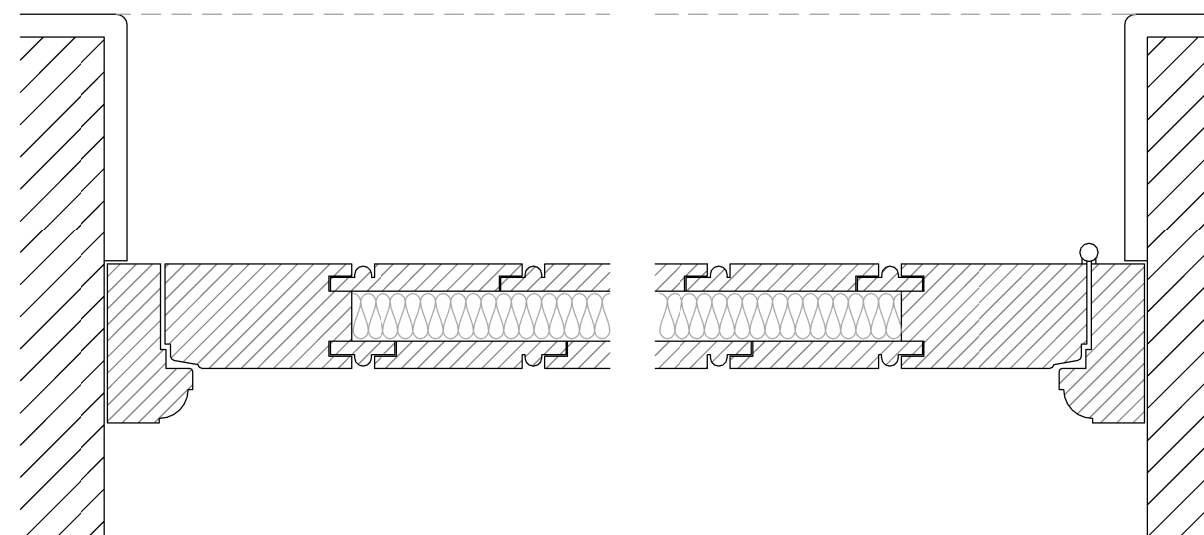
Tyack Architects Ltd own copyright of the original design work in the drawings, documents and digital files which cannot be copied, loaned or disclosed without written agreement. Please refer to our Standard Terms of Business.



Extension door details
1:5



Side door elevation
1:20



Side door details
1:5

- All joinery in painted quality hardwood. Paint colour: F & B No. 25 'Pidgeon'
- Glazing units in slimline double glazing



Tyack Architects Ltd
The Mann Institute
Oxford Street
Monkton-in-Marsh
Gloucestershire
GL56 0LA

t: 01608 650 490
f: 01608 651 863
e: mail@tyackarchitects.com
w: tyackarchitects.com

Planning
Details - Doors
36 New Street, Chipping Norton
David Holdsworth
Scale: As indicated @A2 Date: July 2023
Drawn/Checked: RO/ET Drg No: 3127-014

Rev: