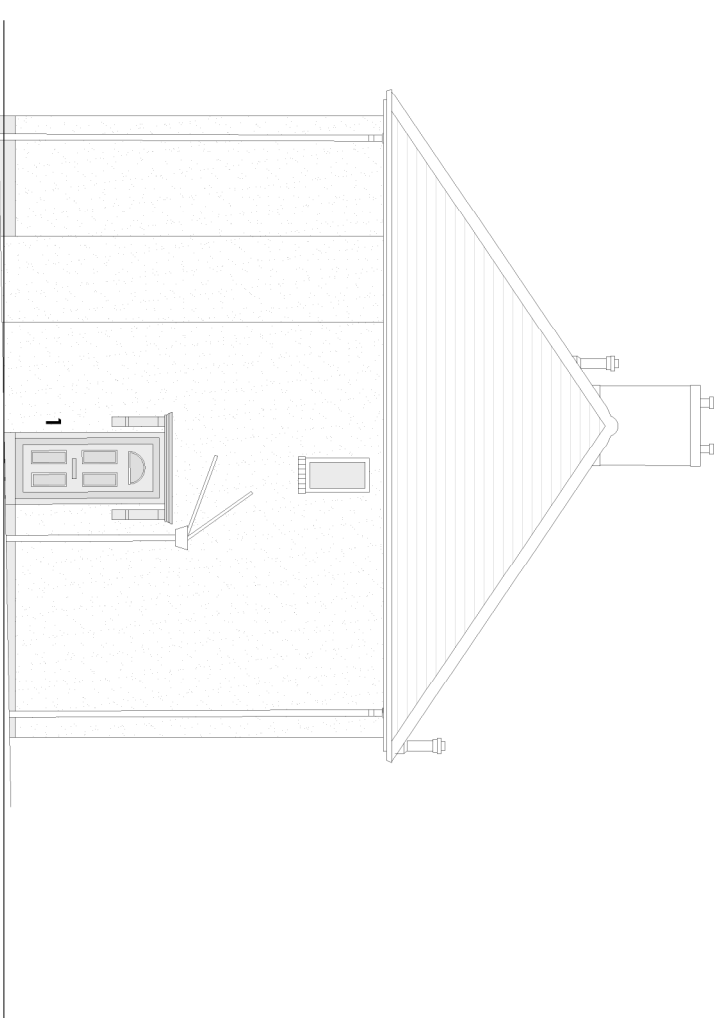
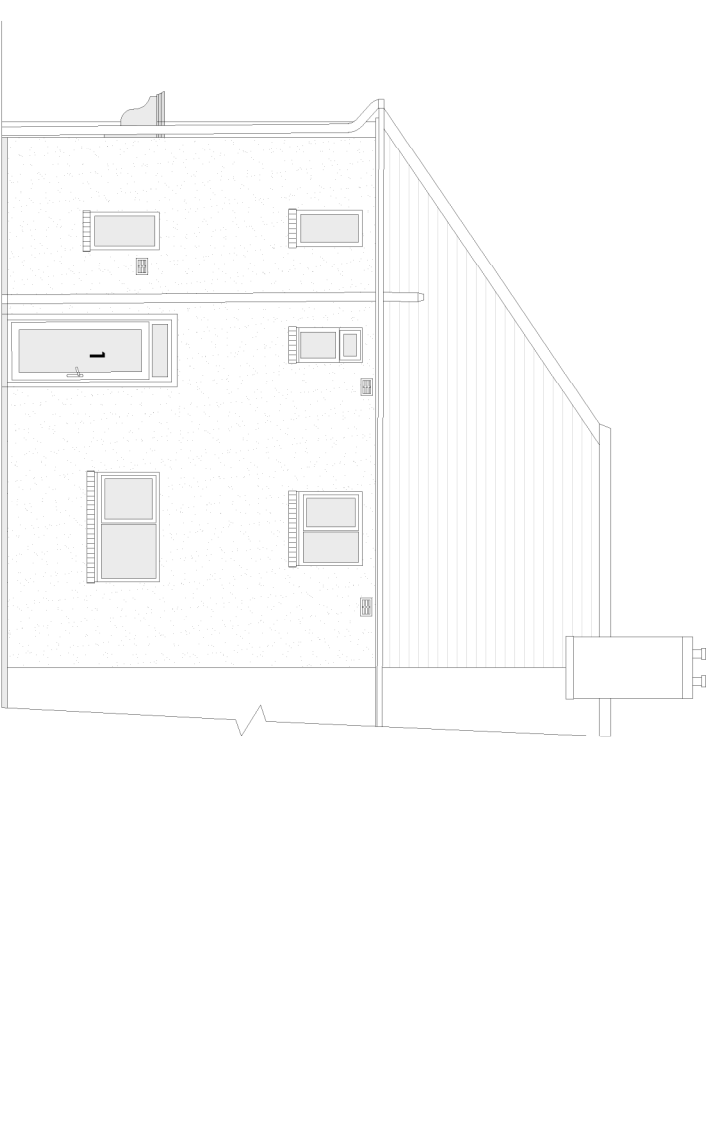


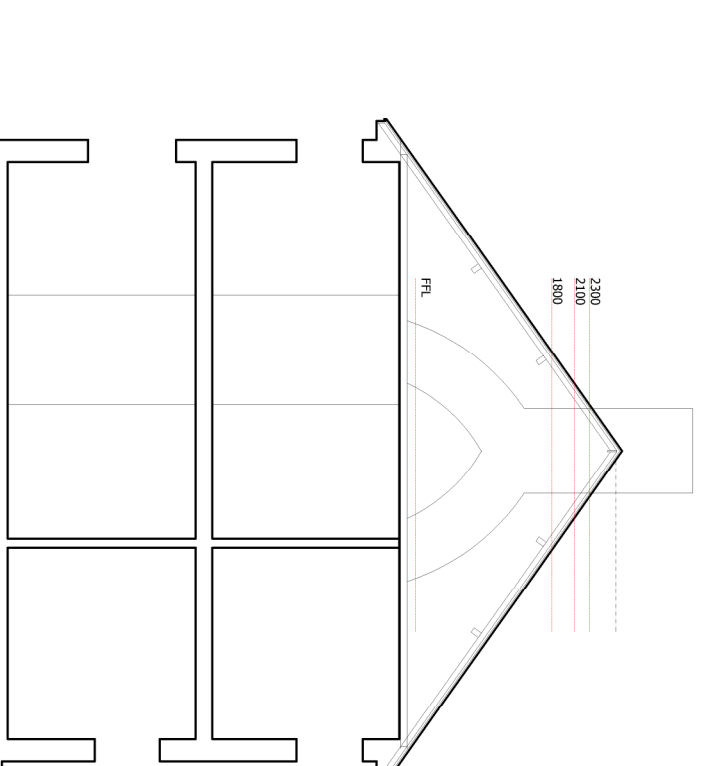
FRONT ELEVATION



SIDE ELEVATION



REAR ELEVATION



SECTION

Key	
UPVC Windows & Doors	1
Render wall	
Slate roof	

Issued for HMO app
 Issued for CoU app
 Issued for planning

Item	date	rev
Scale	14.12.22	B
1:100 @ A3	11.10.22	A
	27.07.23	C

Drawing Title
 Existing Elevations

Project
 60 Mynachdy Road

CONNECTIONS DESIGN

ARCHITECTURE & INTERIORS

Job No.	Dwg No.	Rev
J21/07	P03	C