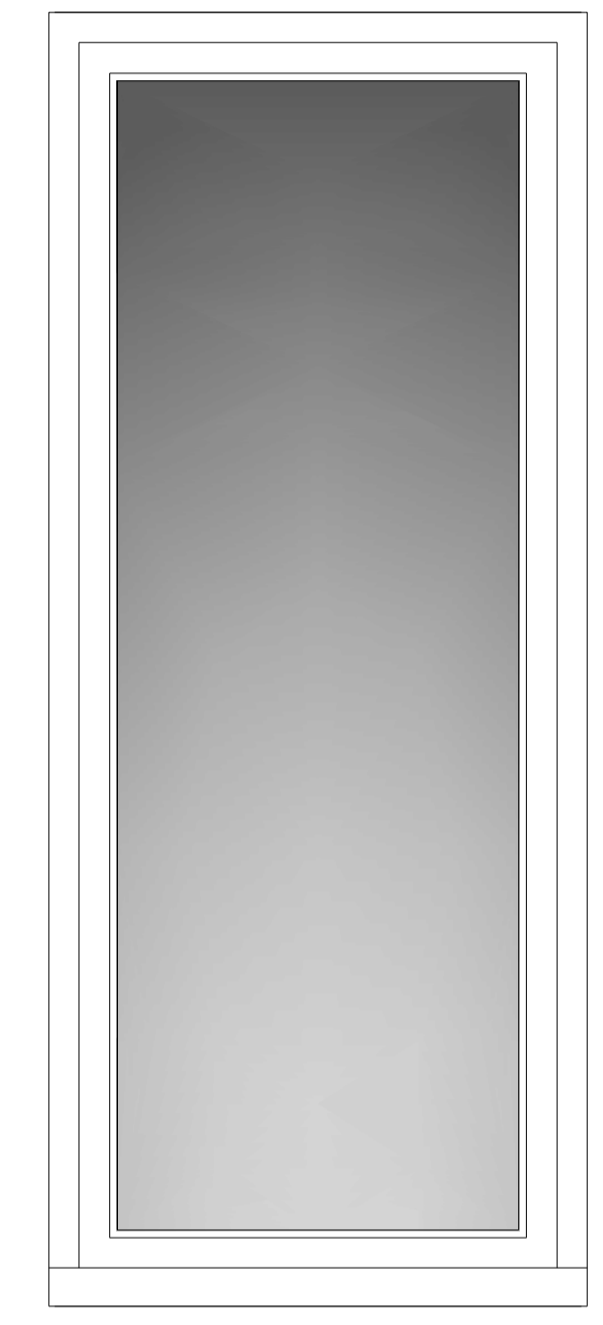
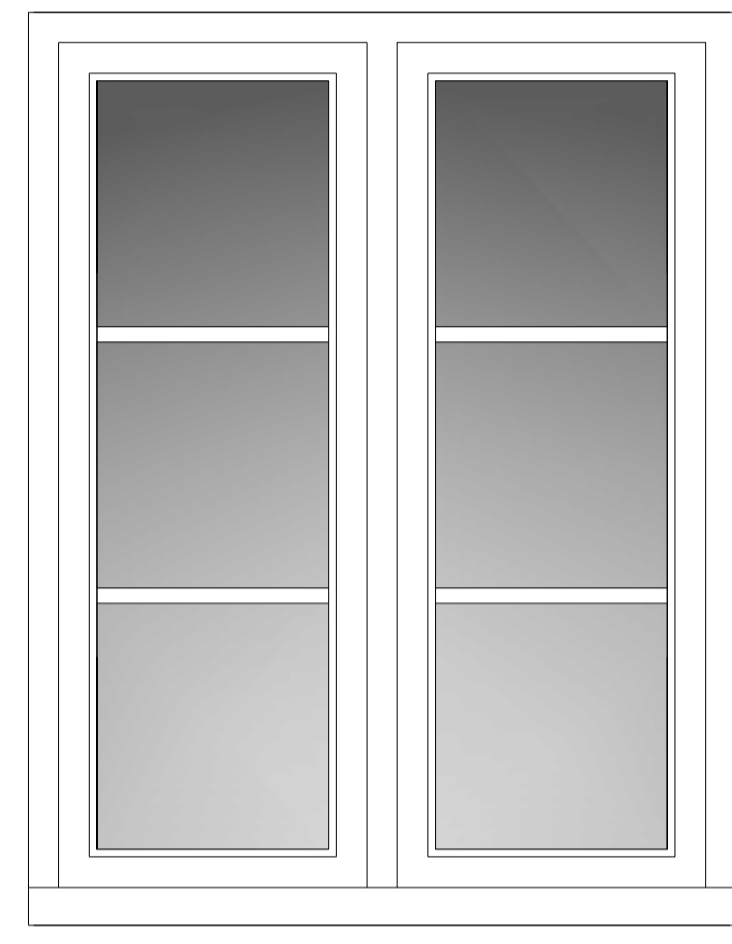


W1, W2 & W3 - Vertical Section
Scale: 1:2

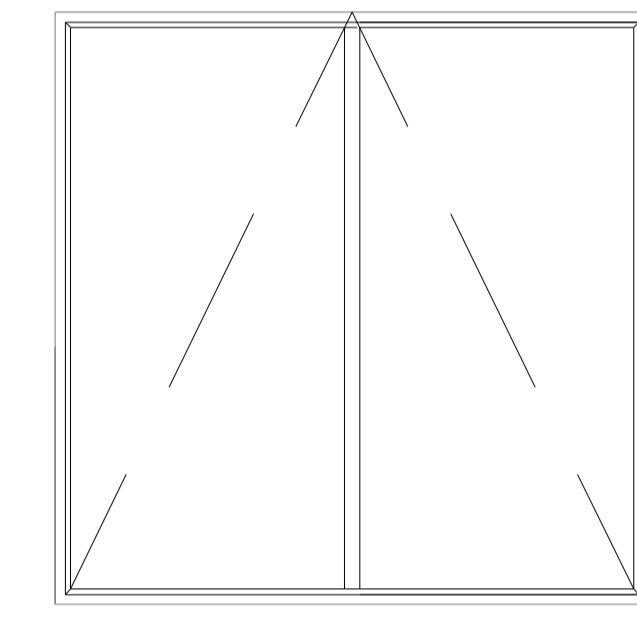
W4 - Vertical Section
Scale: 1:2



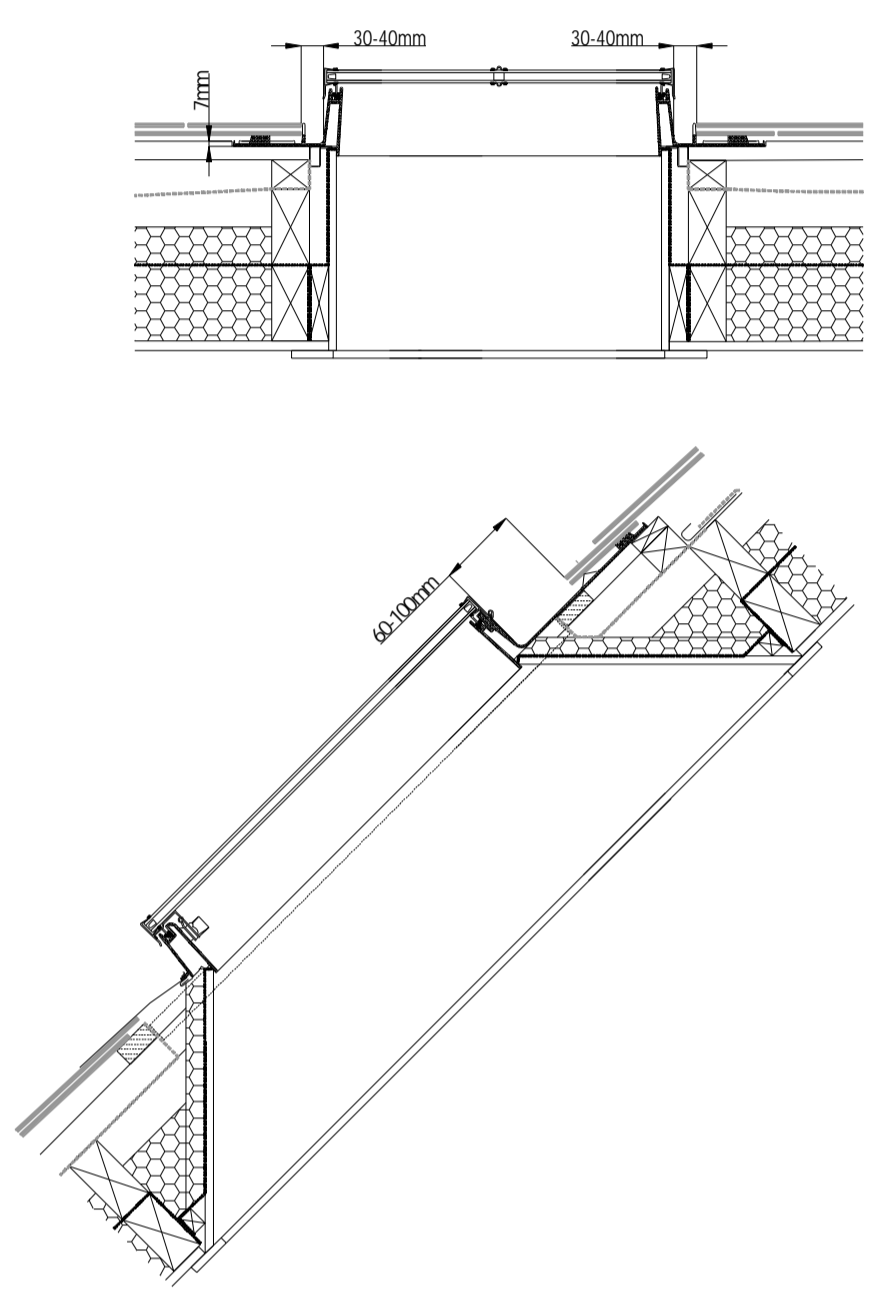
W1, W2 & W3 - Elevation
Scale: 1:10



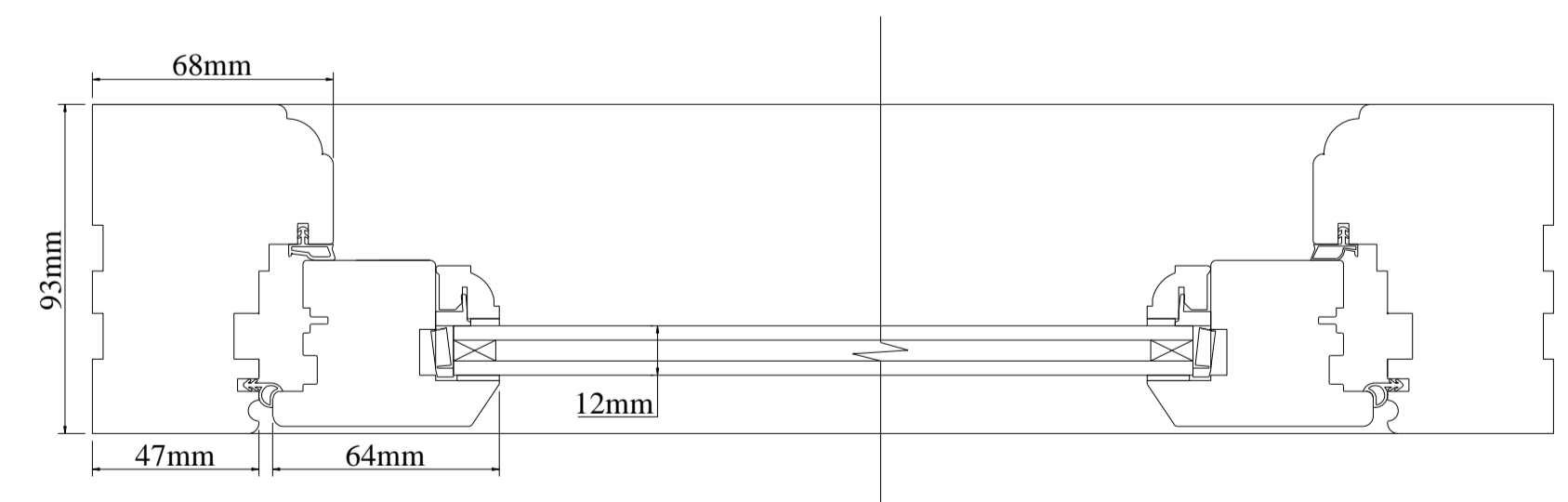
W4 - Elevation
Scale: 1:10



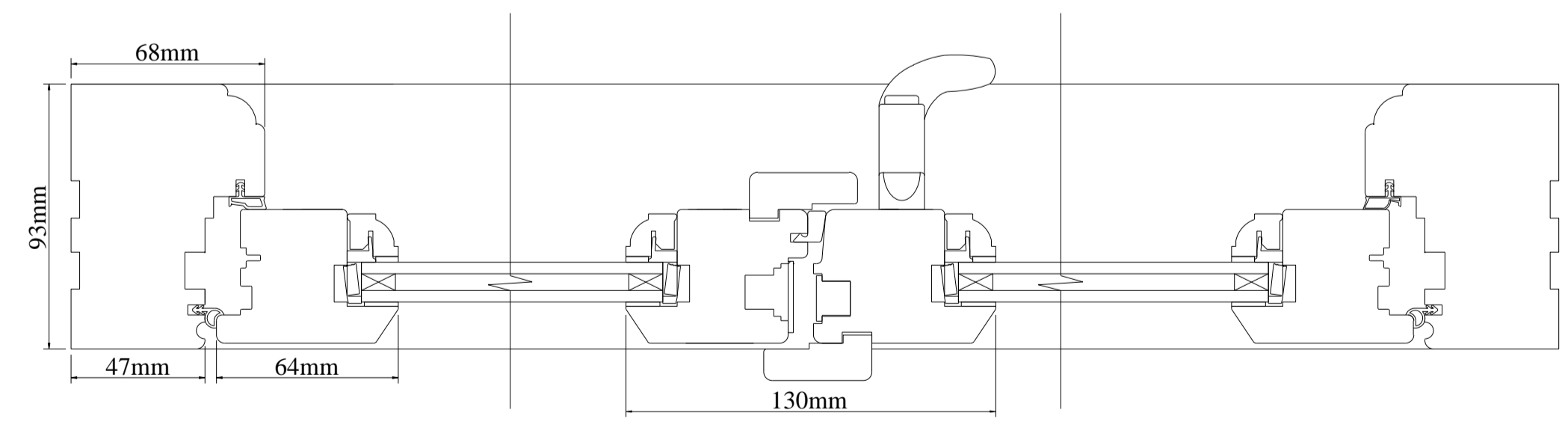
CR01-2 conservation roof light



Conservation Roof Light Details
Scale: 1:10



W1, W2 & W3 - Horizontal Section
Scale: 1:2



W4 - Horizontal Section
Scale: 1:2

Tim Moll Architecture Chartered Architect			
JOB 1533		TIM MOLL ARCHITECTURE Suite 10, 9 Station Yard Needham Market Suffolk IP6 8SA	
CLIENTS	MR & MRS Watkins		
JOB LOCATION	THE PINK HOUSE, CODDENHAM, IP6 9PY		
JOB DESCRIPTION	EXTENSION & ALTERATIONS		
DRAWING	PLANNING CONDITIONS		
DATE	SCALE	DRAWING NUMBER	DRAWN BY
AUGUST 2023	AS SHOWN @ A1	.014	MJM
COPYRIGHT TIM MOLL ARCHITECTURE. ALL DIMENSIONS ARE TO BE MEASURED ON SITE AND NOT SCALED FROM THIS DRAWING.			