

Notes :

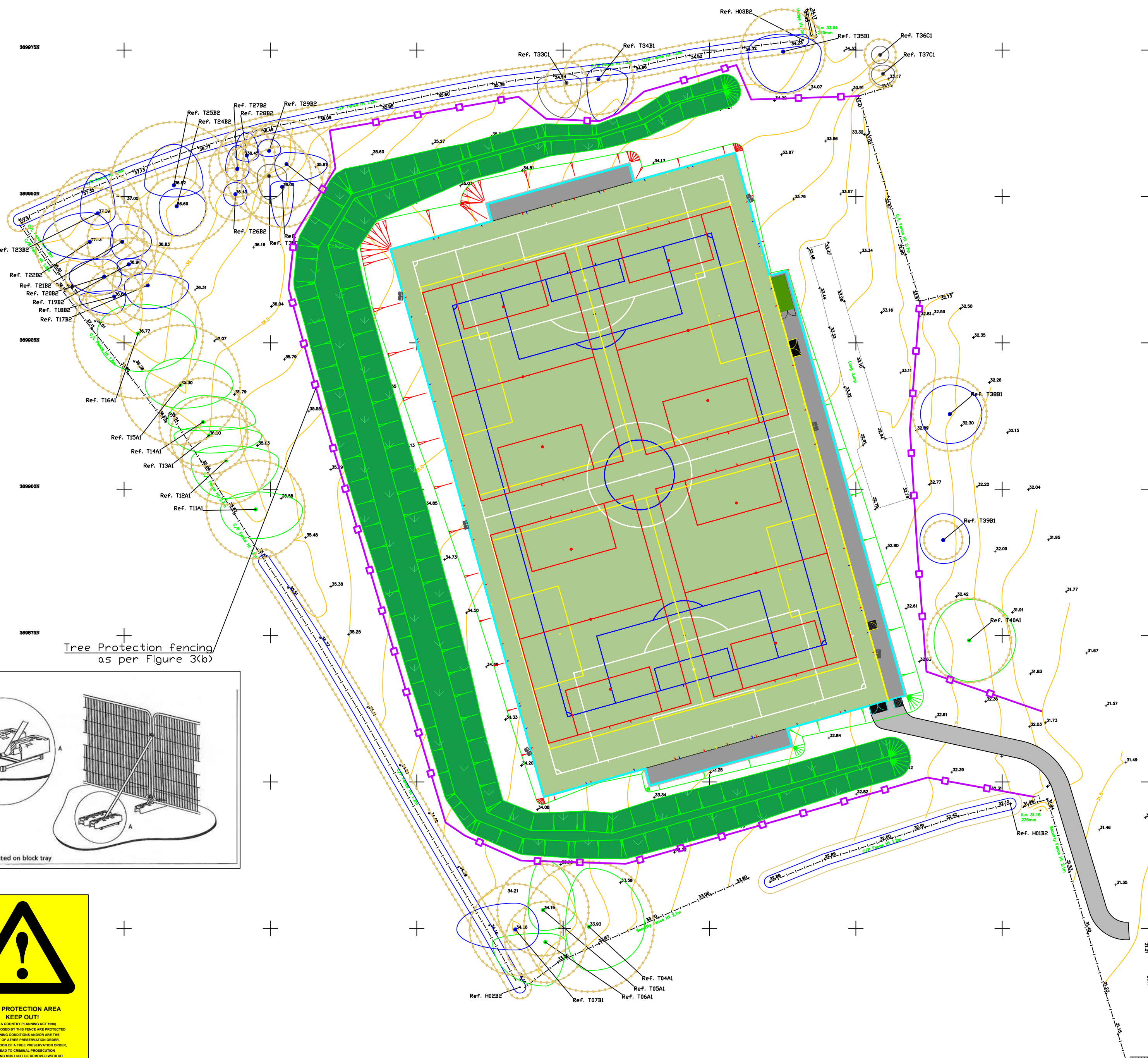
This drawing has been prepared in accordance with BS 5837:2012.

This drawing is intended to be printed and used in colour only, and for no purpose other than the consideration of trees in accordance with BS 5837.

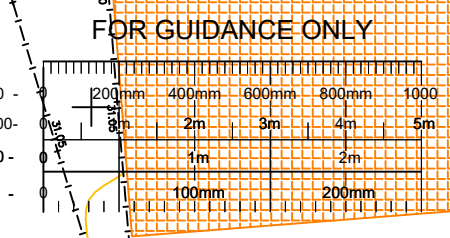
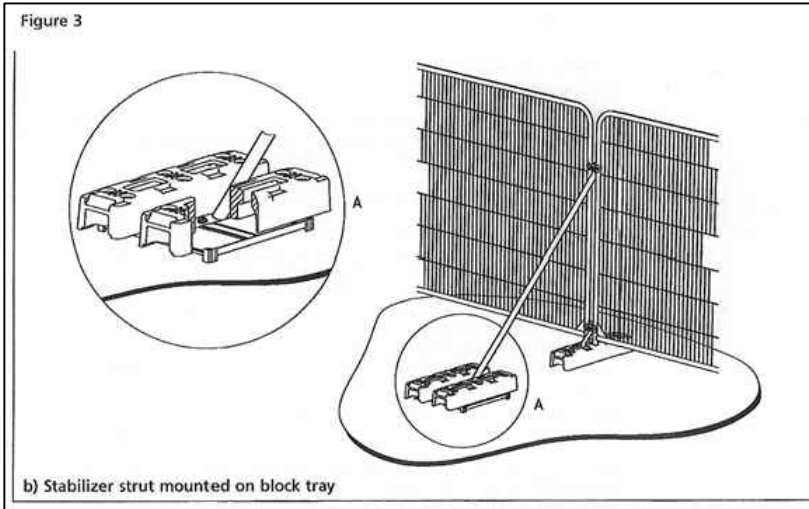
BS5837:2012 Cascade chart for tree quality assessment			
Category & Definition	Criteria (including subcategories where appropriate)	Identification on plan	
Trees unsuitable for retention			
Category U	Trees that have a serious, irreparable structural defect, such that their early loss is expected due to the high probability of failure. This includes trees that are severely damaged by lightning, fire, or other causes, or trees that are severely damaged by disease or insect attack, or trees that are severely damaged by root damage, or trees that are severely damaged by other causes.	Red on plan	R01, R17, R19
Trees to be considered for retention			
Category A	Trees that have a high quality, and are of high amenity value, and are of high amenity value, and are of high amenity value.	Light Green	R02, R03, R04, R05, R06
Category B	Trees that have a moderate quality, and are of moderate amenity value, and are of moderate amenity value, and are of moderate amenity value.	Mid Blue	R07, R08, R09, R10, R11, R12, R13, R14, R15, R16
Category C	Trees that have a low quality, and are of low amenity value, and are of low amenity value, and are of low amenity value.	Grey	R01, R02, R03, R04, R05, R06, R07, R08, R09, R10, R11, R12, R13, R14, R15, R16, R17, R18, R19, R20, R21, R22, R23, R24, R25, R26, R27, R28, R29, R30, R31, R32, R33, R34, R35, R36, R37, R38, R39, R40, R41, R42, R43, R44, R45, R46, R47, R48, R49, R50, R51, R52, R53, R54, R55, R56, R57, R58, R59, R60, R61, R62, R63, R64, R65, R66, R67, R68, R69, R70, R71, R72, R73, R74, R75, R76, R77, R78, R79, R80, R81, R82, R83, R84, R85, R86, R87, R88, R89, R90, R91, R92, R93, R94, R95, R96, R97, R98, R99, R100

KEY

- Root Protection Area (RPA)
- Tree Stem
- Tree No.
- Tree Protection Fencing
- Storage Area



Tree Protection fencing as per Figure 3(b)



Rev	Details	Date	Checked By
Drawing Number	AEL-18793-TPP		
Client	Surfacing Standards Ltd		
Project	Queen Elizabeth Grammer School, Horncastle		
Title	Tree Protection Plan		
Scale	Date	Drawn By	Checked By
1:500	23/07/2023	RJH	
			Revision
			A
THIS DRAWING IS CONFIDENTIAL AND MUST NOT BE REPRODUCED WITHOUT THE CONSENT OF APEX ENVIRONMENTAL LTD			

Apex Environmental Ltd
 3 Lawrence Way, Lichfield, WS13 6RD
 TEL. 0121 249 1235
 e-mail. info@ael-treeconsultants.co.uk
 web: www.ael-treeconsultants.co.uk