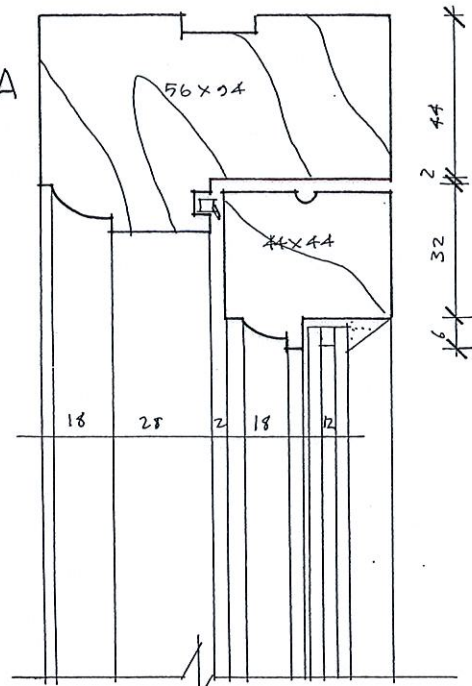
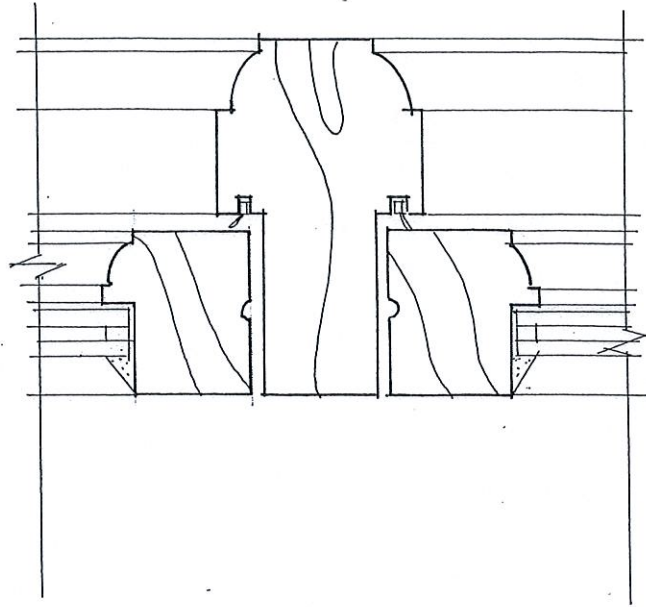




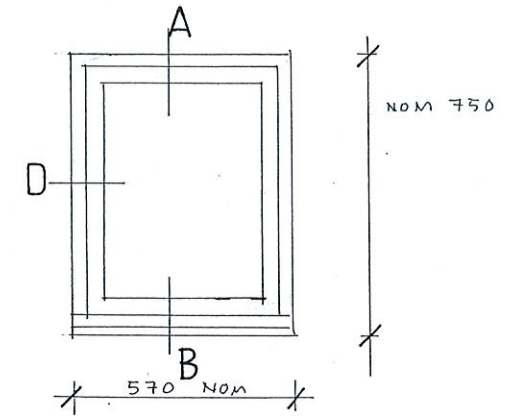
DETAIL A



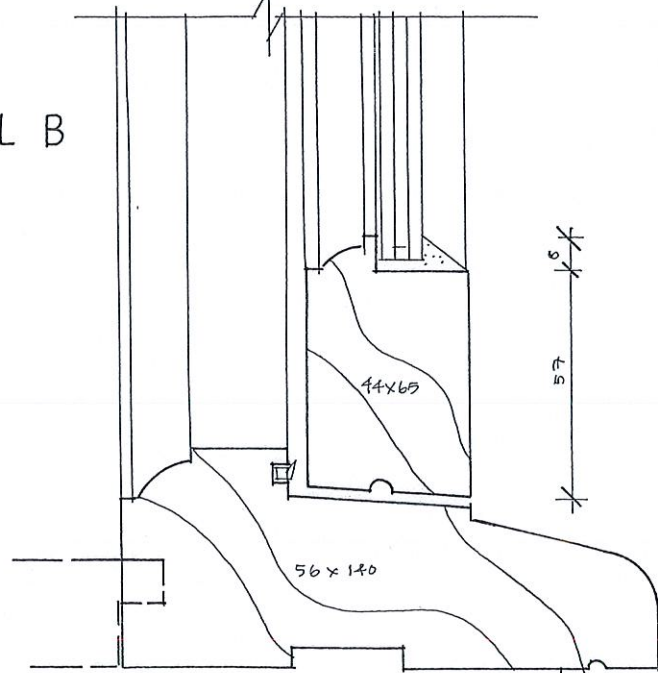
DETAIL C



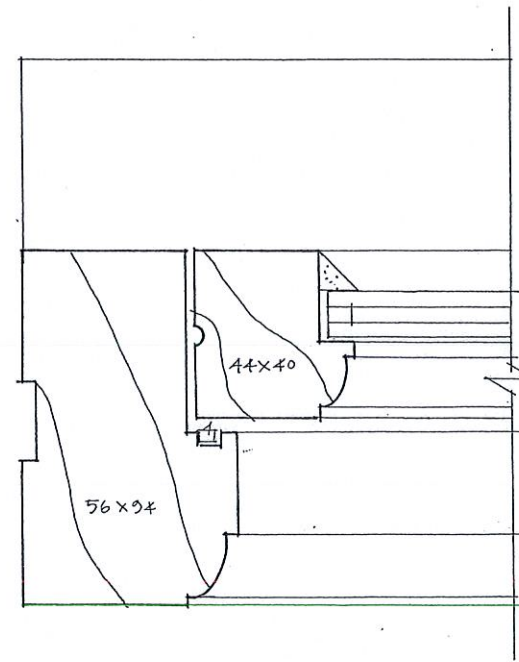
DORMER (LOFT)



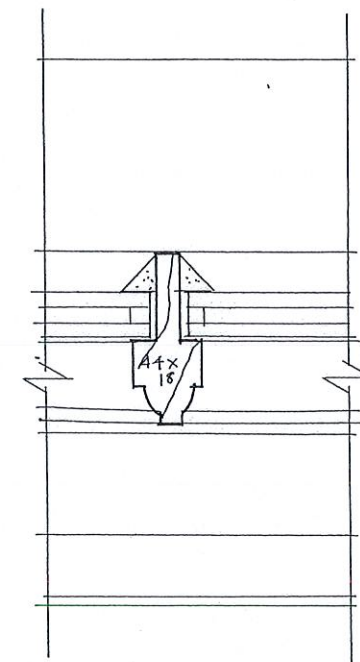
DETAIL B



DETAIL D



DETAIL E



WINDOW DETAILS:

ALL NEW WINDOWS ARE TO BE PURPOSE MADE FROM SELECTED JOINERY GRADE SOFTWOOD.

ALLOW FOR ALL WEATHERSEALS

GLAZING - SUNLITE DOUBLE GLAZED UNITS. PUTTY INTO POSITION.

SITE DIMENSIONS ARE TO BE TAKEN PRIOR TO THE MANUFACTURE OF ALL NEW JOINERY

ALL JOINERY IS TO HAVE A PAINT FINISH

THE LODGE OVER NORTON PARK

JOINERY DETAILS

954/15 1:2 @ A3 APRIL 2023

Julie Barnes Architect