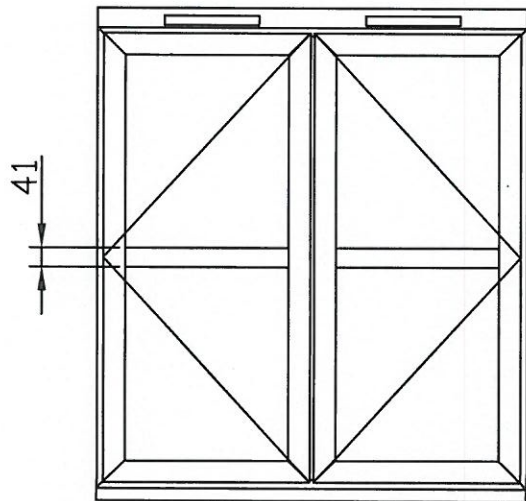
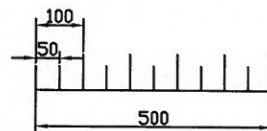
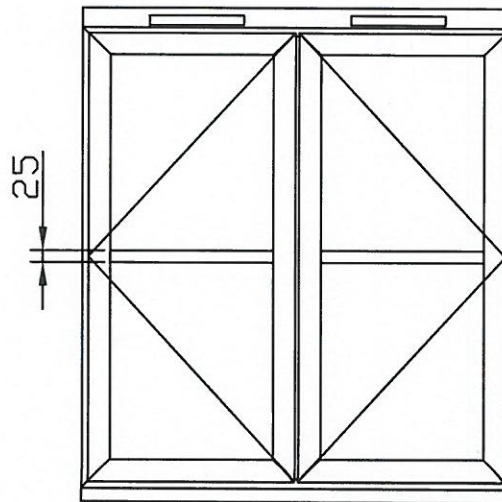


WINDOWS
PERMISSION GRANTED



WINDOWS
PROPOSED REVISION



SCALE BAR

Contract Ref No:
ONFIRMED

Client:

DESIGN

2B

Project Name:

NORTH LODGE BARN
WITHERSDALE STREET
MENDHAM

Broadland Windows Limited
148 Hellesdon Park Road
Norwich
Norfolk NR6 5DR
Telephone Norwich (01603) 483002
Fax Norwich (01603) 485946
eMail info@broadlandwindows.co.uk

Date: 01 / 09 / 2023

Drawn: DJY



Drawing Title:

PERMITTED &

REVISED

DETAILS

Drawing No:
SCALE 1:16

Rev
No: