

Contract Ref No:
UNCONFIRMED

Client:
DESIGN
2A

Project Name:
NORTH LODGE BARN
WITHERSDALE STREET
MENDHAM

Broadland Windows Limited
148 Hellesdon Park Road
Norwich
Norfolk NR6 5DR
Telephone Norwich (01603) 483002
Fax Norwich (01603) 485946
Email info@broadlandwindows.co.uk

Date: 01 / 09 / 2023
Drawn: DJY

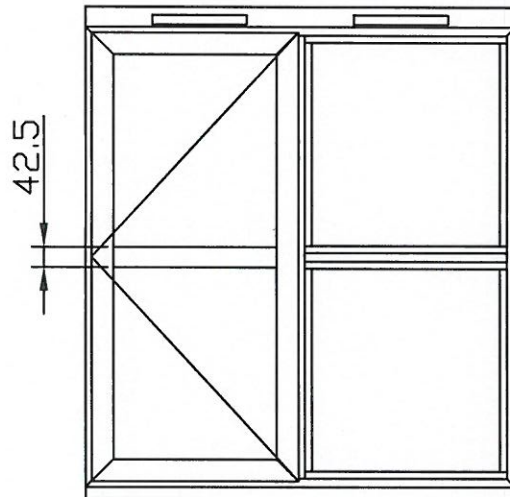


Drawing Title:

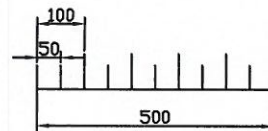
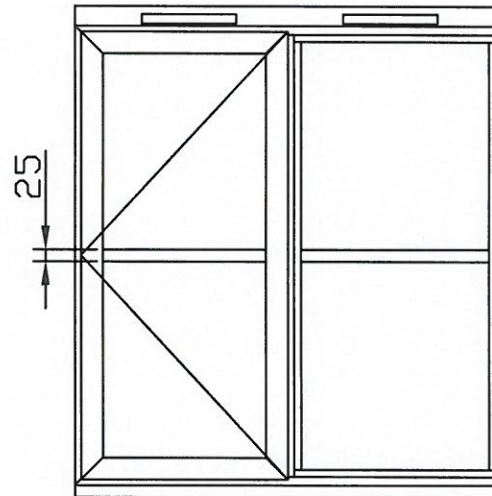
PERMITTED &
REVISED
DETAILS

Drawing No:
SCALE 1:16
Rev No:

WINDOWS
PERMISSION GRANTED



WINDOWS
PROPOSED REVISION



SCALE BAR