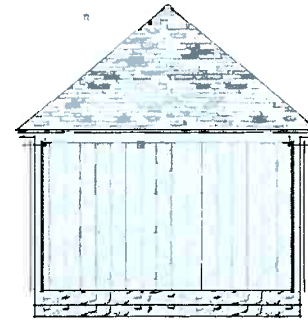
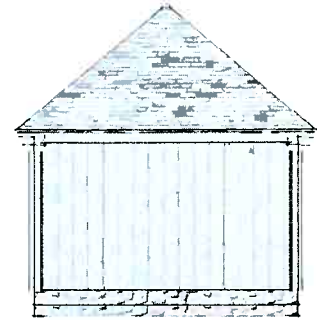




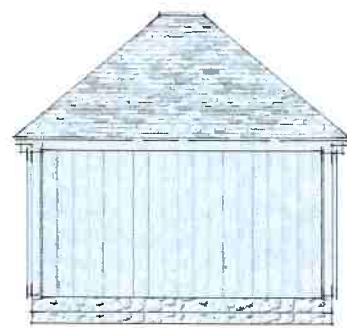
SOUTH ELEVATION



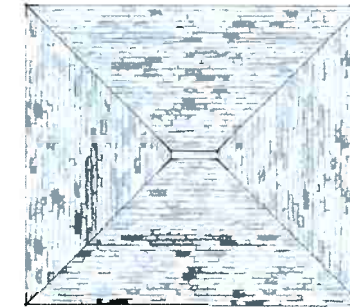
WEST ELEVATION



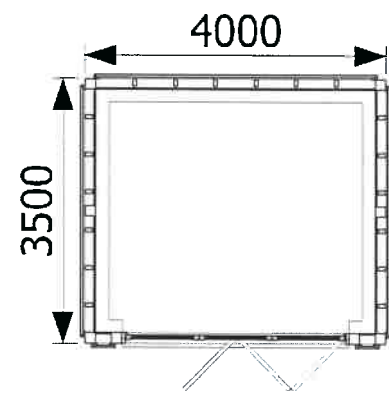
EAST ELEVATION



NORTH ELEVATION



ROOF PLAN



FLOOR PLAN



Proposed

Drawing No. 86730104

Mr & Mrs Behar
- 1:100 Date 16/08/23