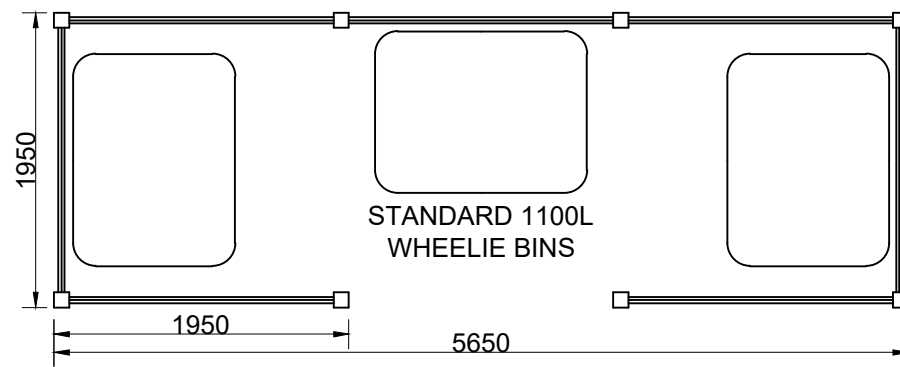
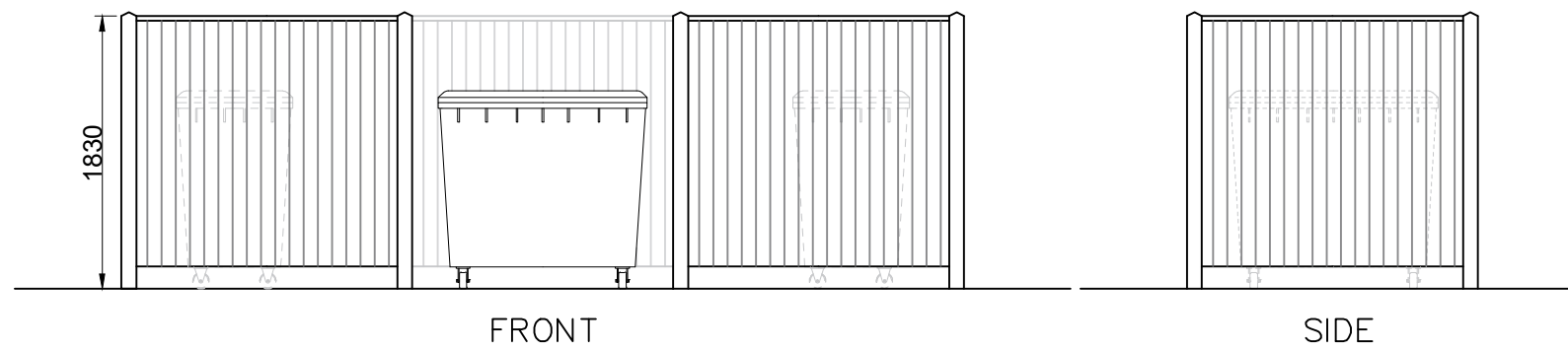


REV	DATE	DETAIL	DRN BY




VANGUARD 3D
 Draughting
 Design & Development

TEL: +44 (0) 1754 612686
 MOB: +44 (0) 7749 961713
 MAIL: w.topley@vanguard-3d.com
 WEB: www.vanguard-3d.com

CLIENT **MR J GOODALL**

PROJECT **K's LAKES**

TITLE **WASTE COMPOUND**

DRG No **1989-23-04** REV

SCALE **1:50 @ A3** DATE **28/03/22** DRN BY

THIS IS AN AUTO CAD GENERATED DRAWING ALL DIMENSIONS TO BE CHECKED ON SITE

This design is the copyright of VANGUARD 3D and must not be reproduced in any form without our consent. The drawing is subject to review and any necessary corrections or modifications by us. Accordingly we shall in no way be liable for any loss or damage, including consequential loss arising out of the unauthorised use or reproduction of this our design.