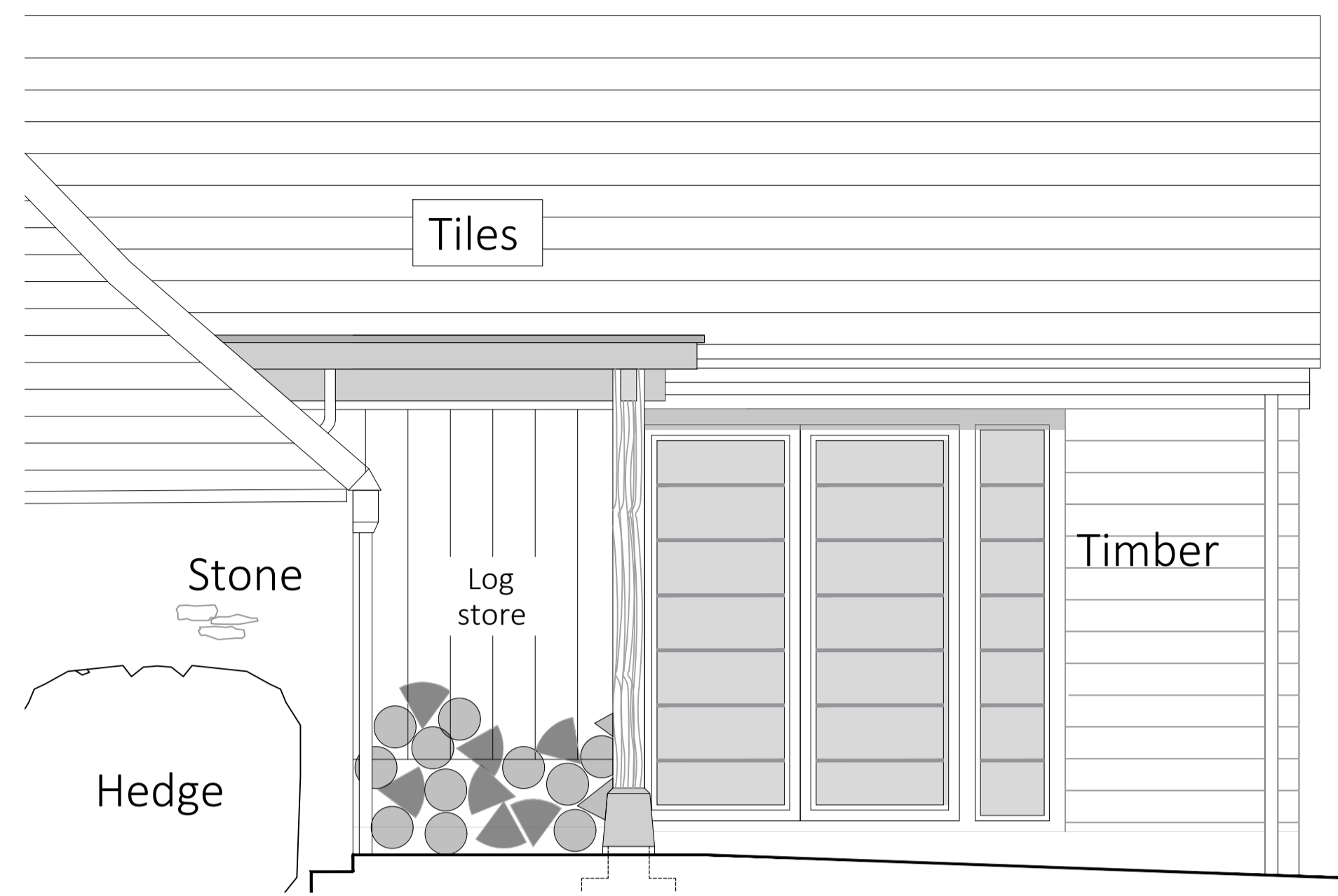
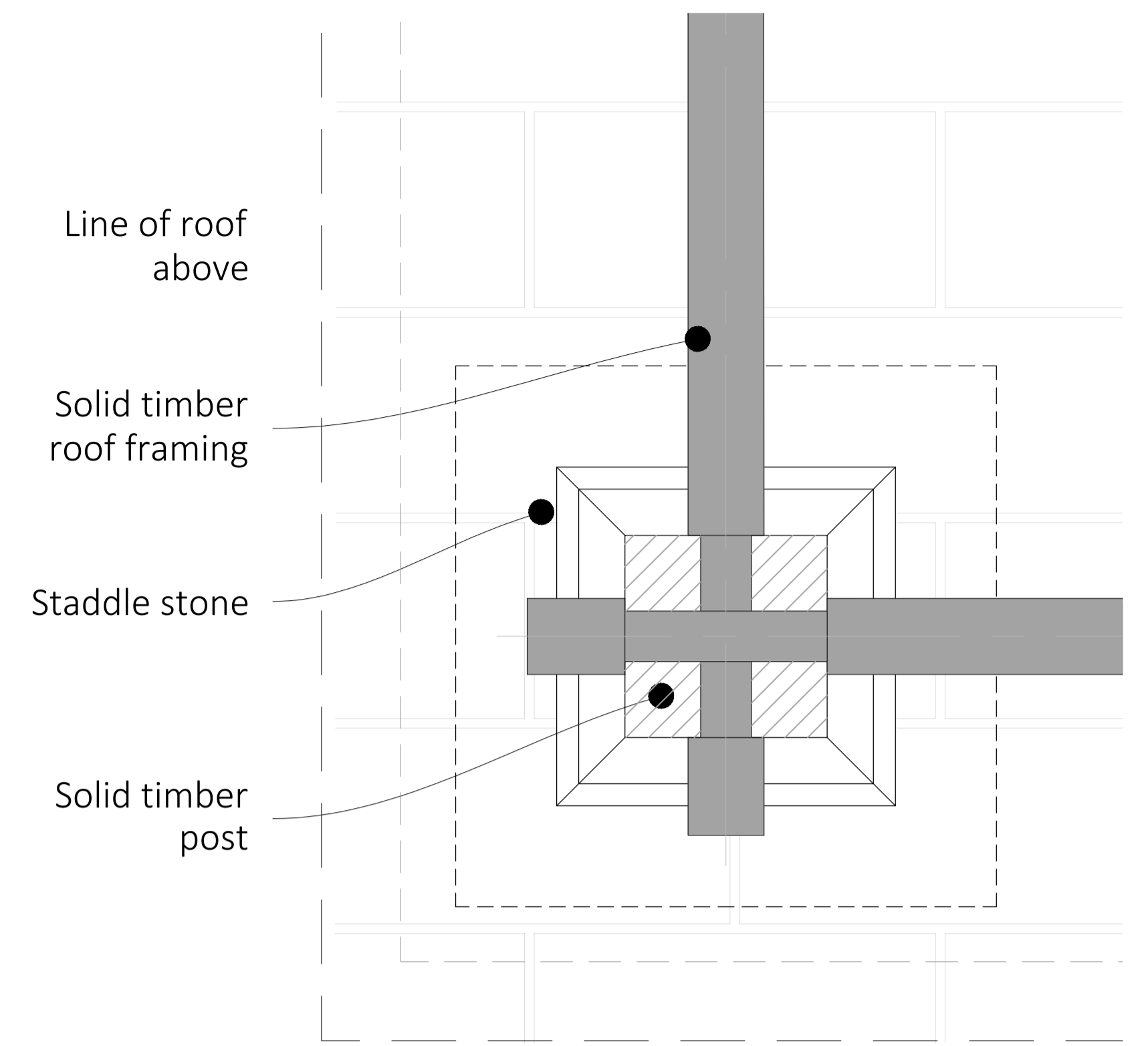


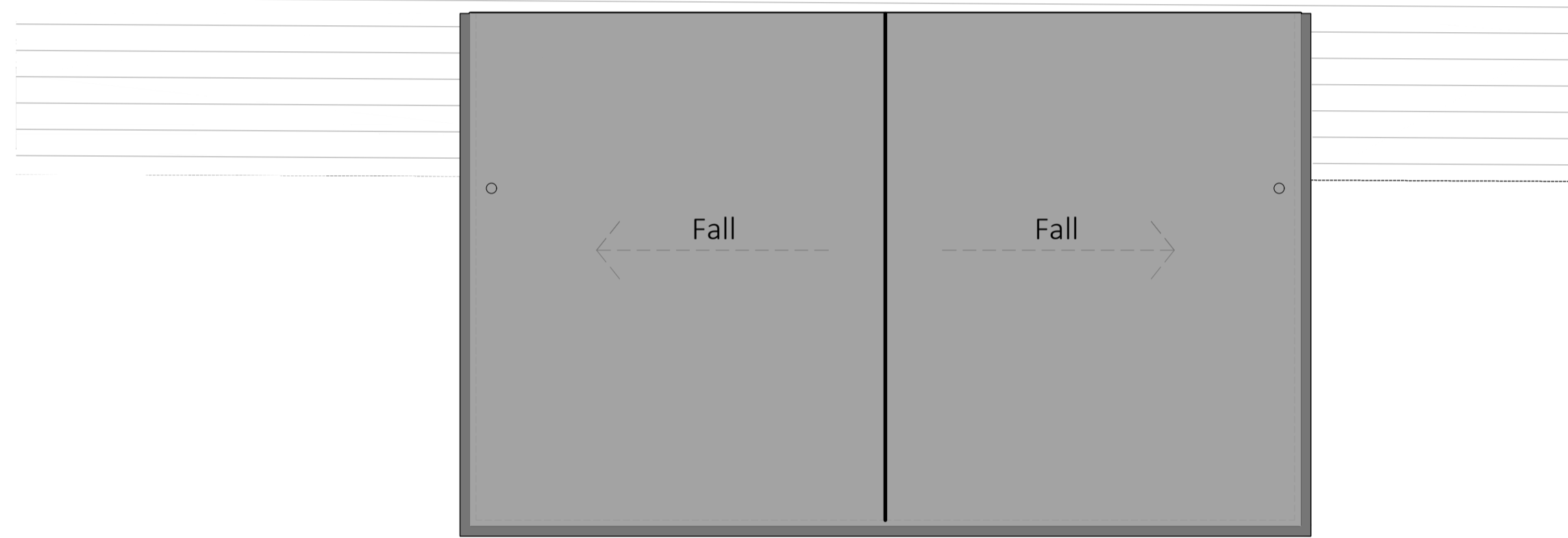
1:25 Front, South Elevation



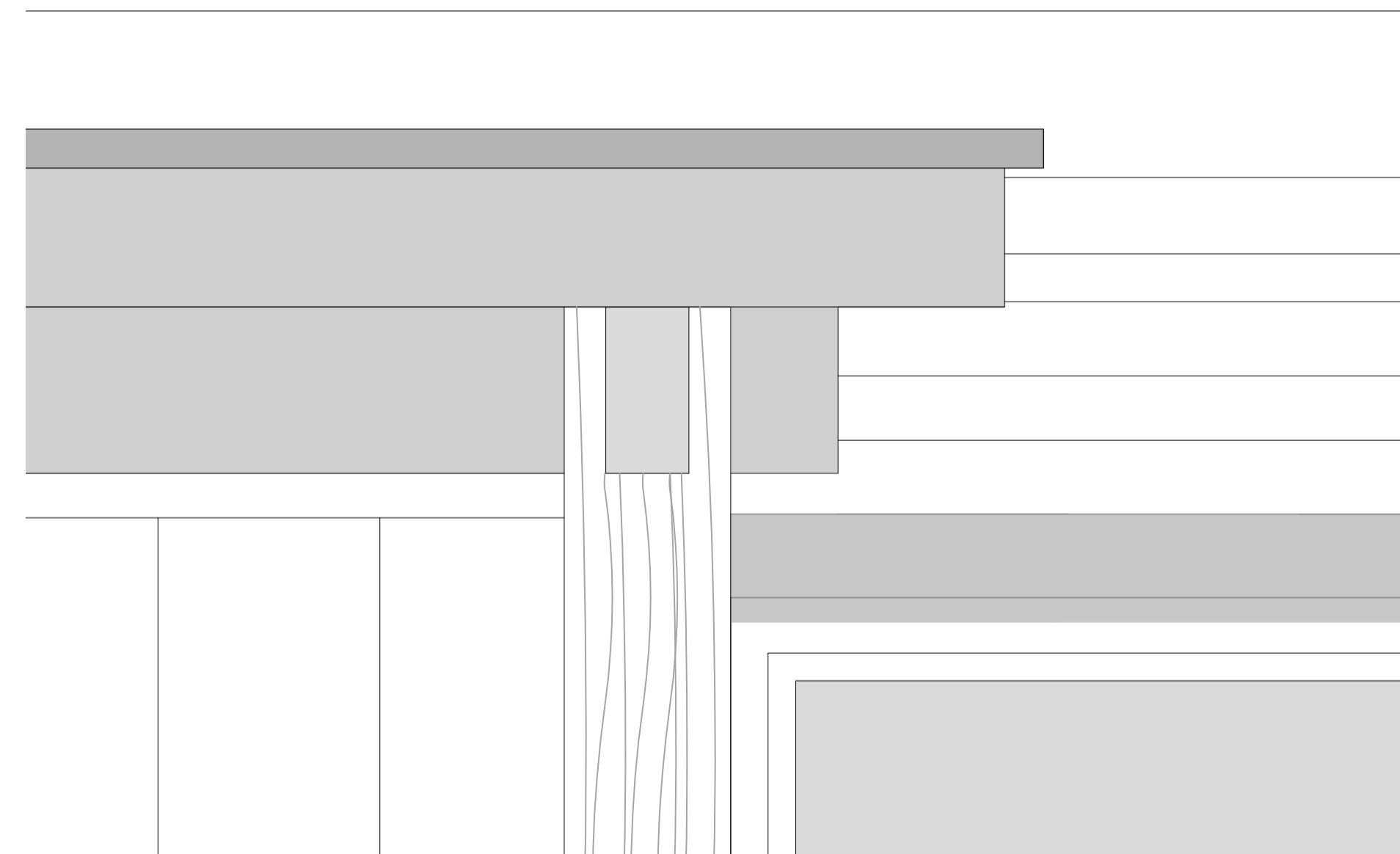
1:25 West elevation



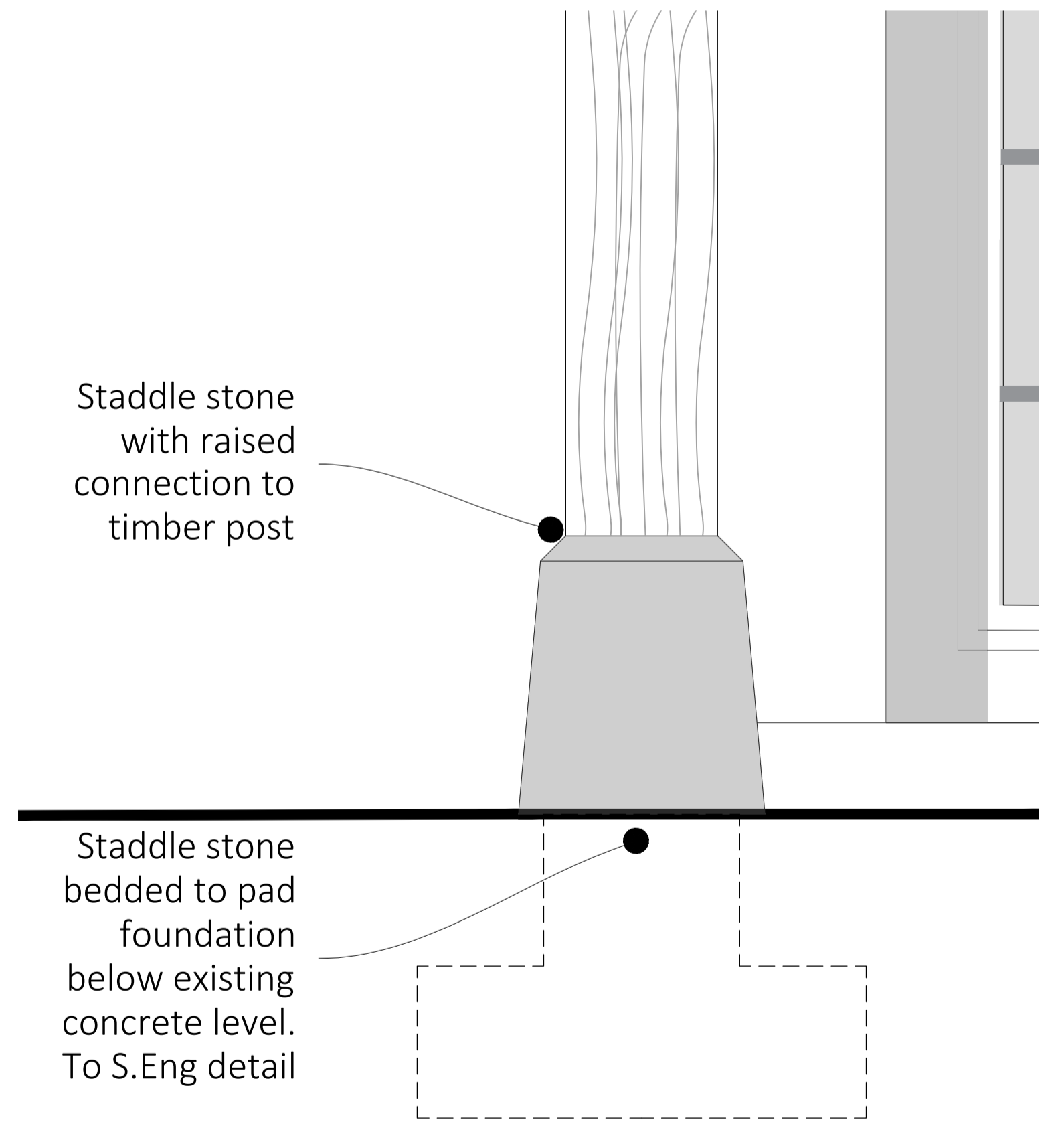
1:5 Staddle stone connection plan, section B-B



1:25 Plan section A-A



1:5 Eaves edge detail, West elevation



1:5 Staddle stone connection elevation



1:25 Plan section B-B