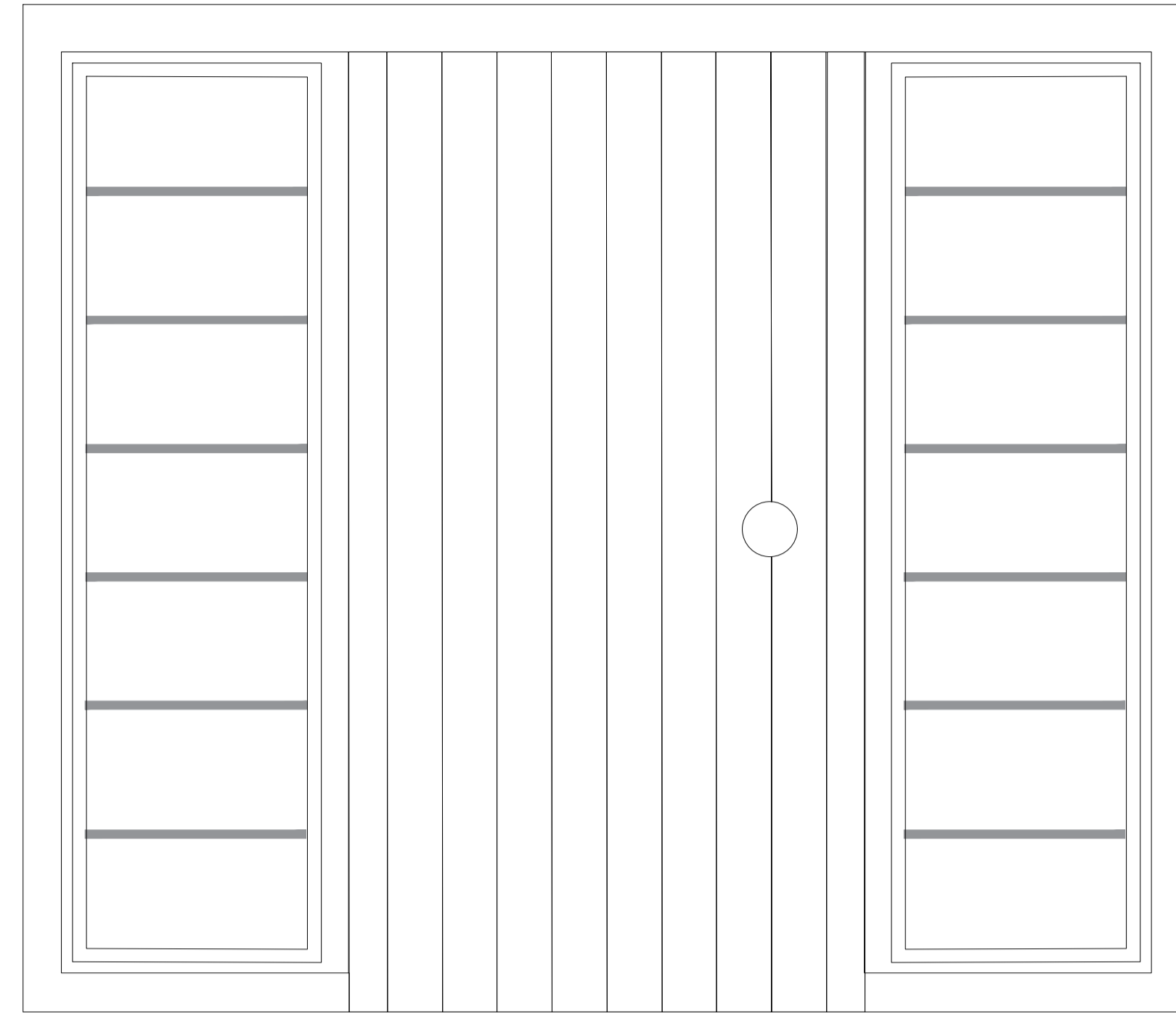
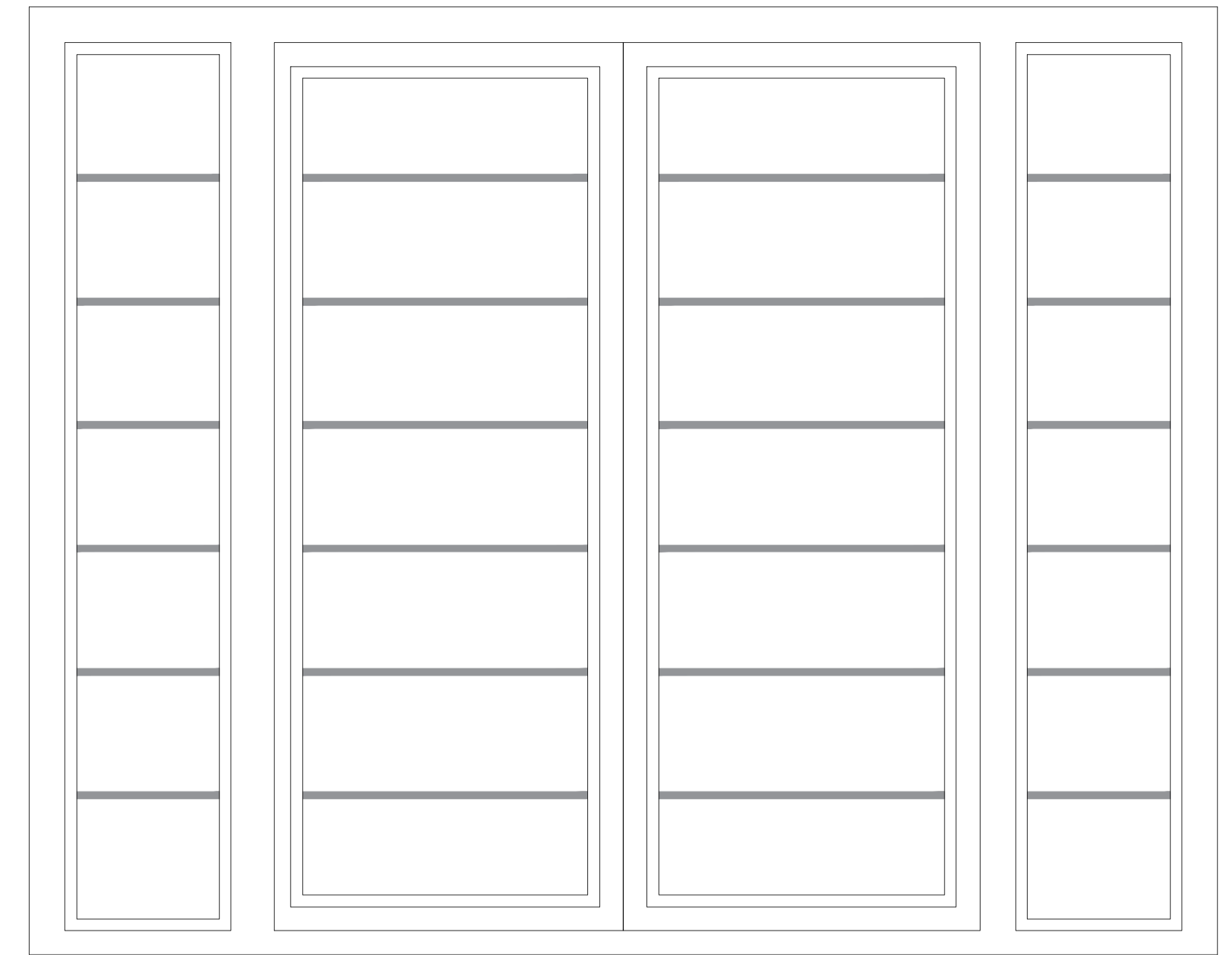


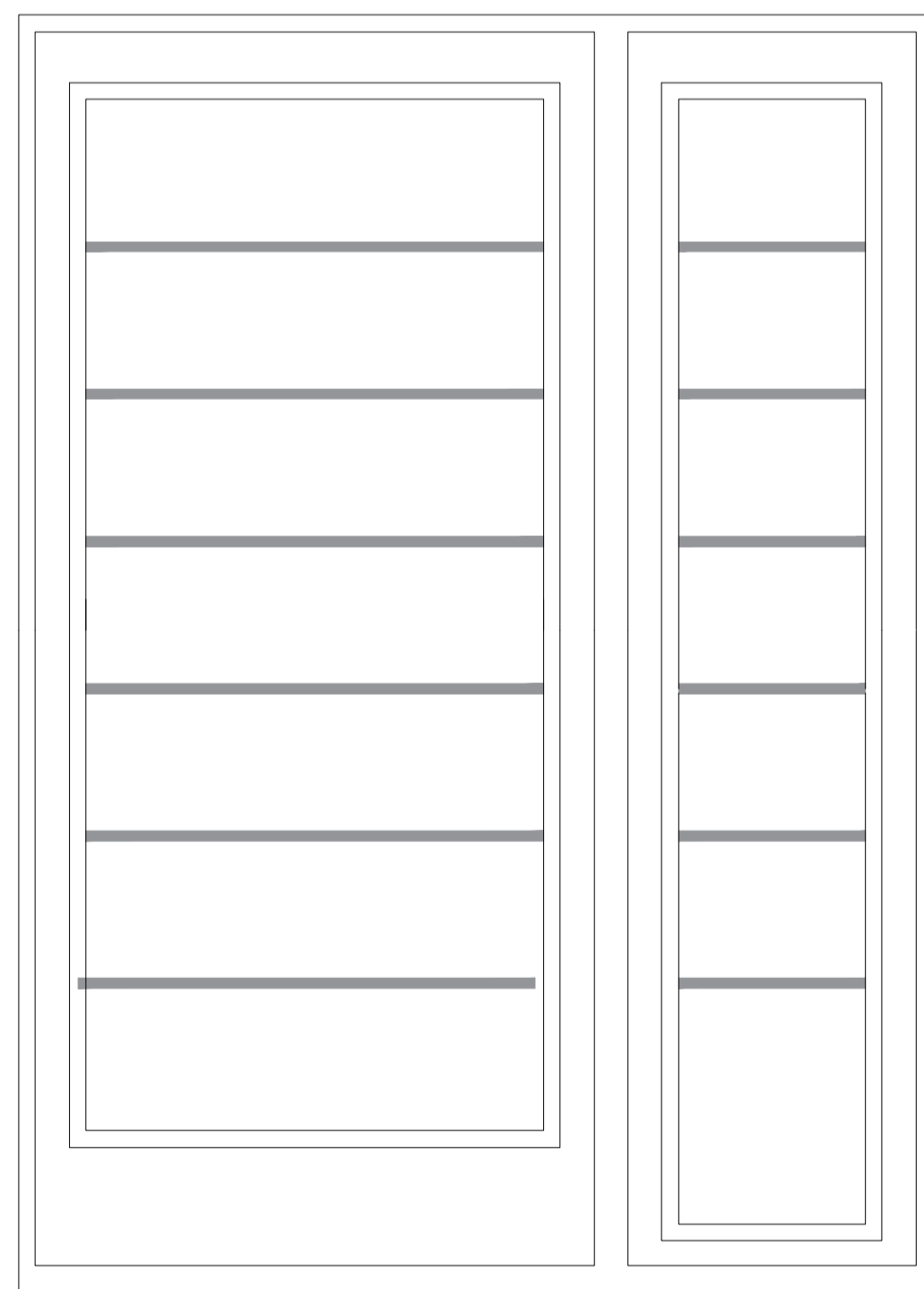
Door 1



Door 2

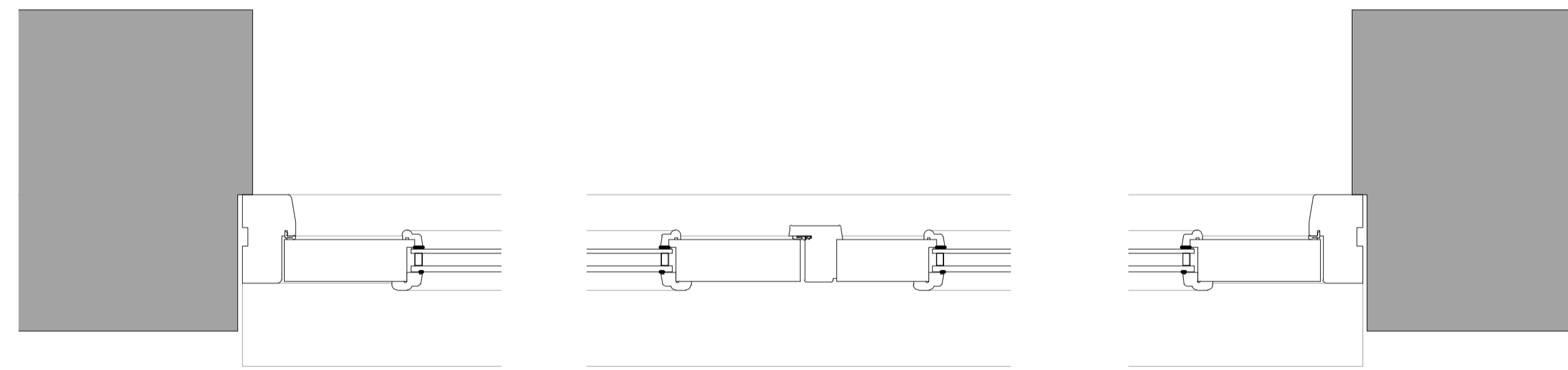


Door 3



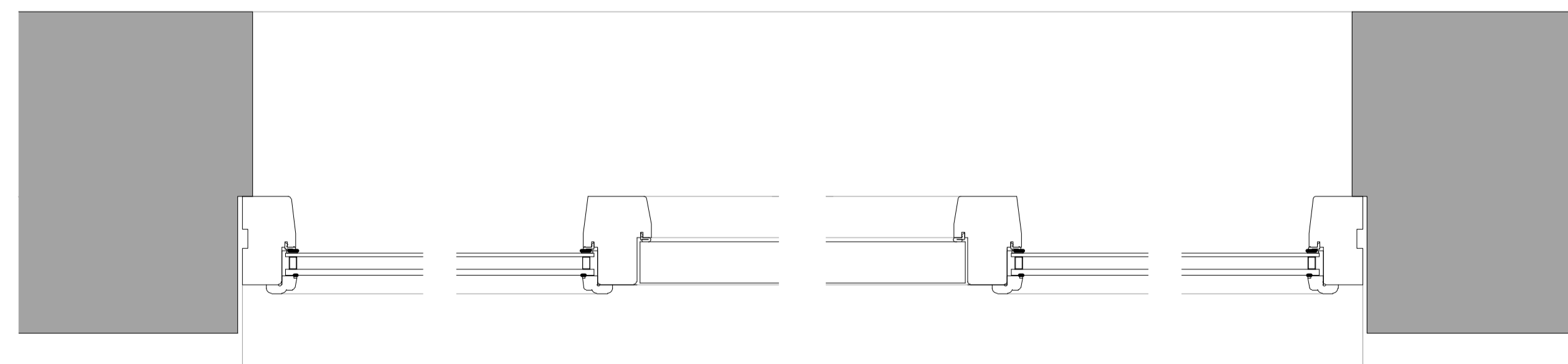
Door 4

Elevations - 1:10

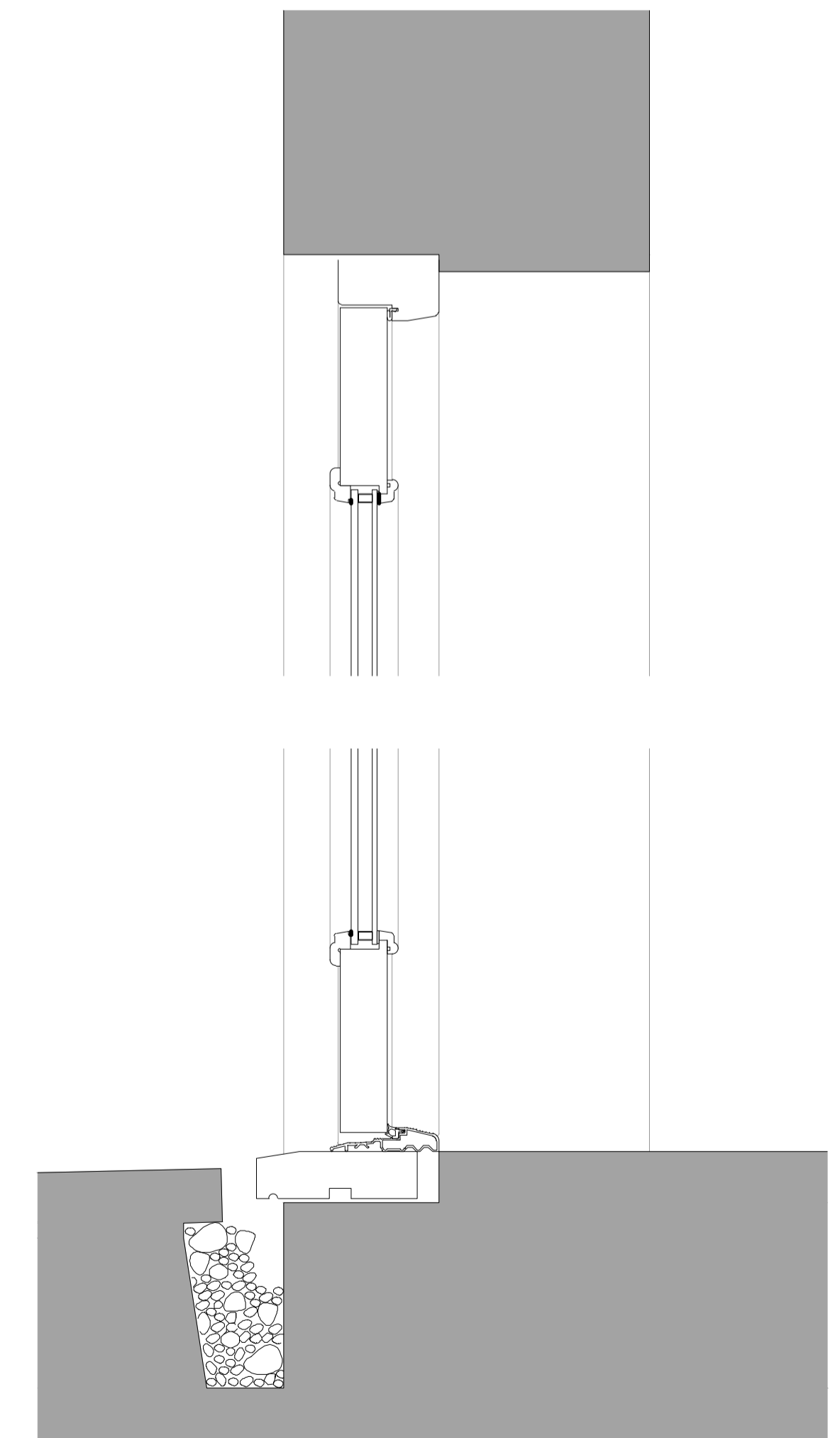


Plan 1:5
Door 1, 3 and 4

Door Manufacturer TBC



Plan 1:5
Door 2



Section 1:5

Rev	Date	Details	Rev	Stage
4408	3	117	-	PLANNING

Scale: VARIES
Size: A1 L
Drawn: NDV
Check: MSB
Creation:

Healey Court Farm
Barn Conversion

Door Details
Plans, Sections and Elevations



This drawing is copyright © bba architects & planners. All construction information should be taken from signed drawings only. Responsibility must be accepted by the architect before proceeding.