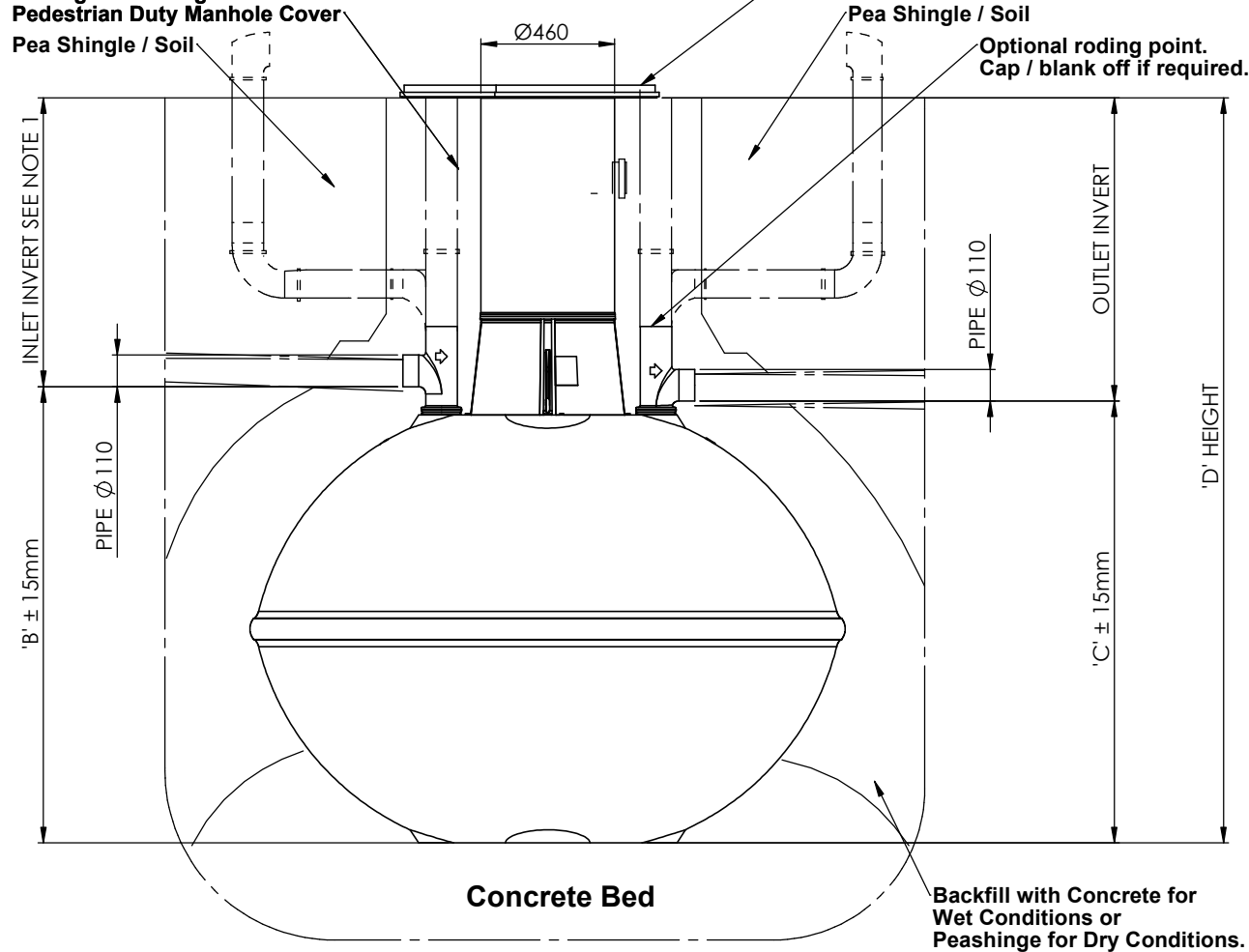


**Notes:**

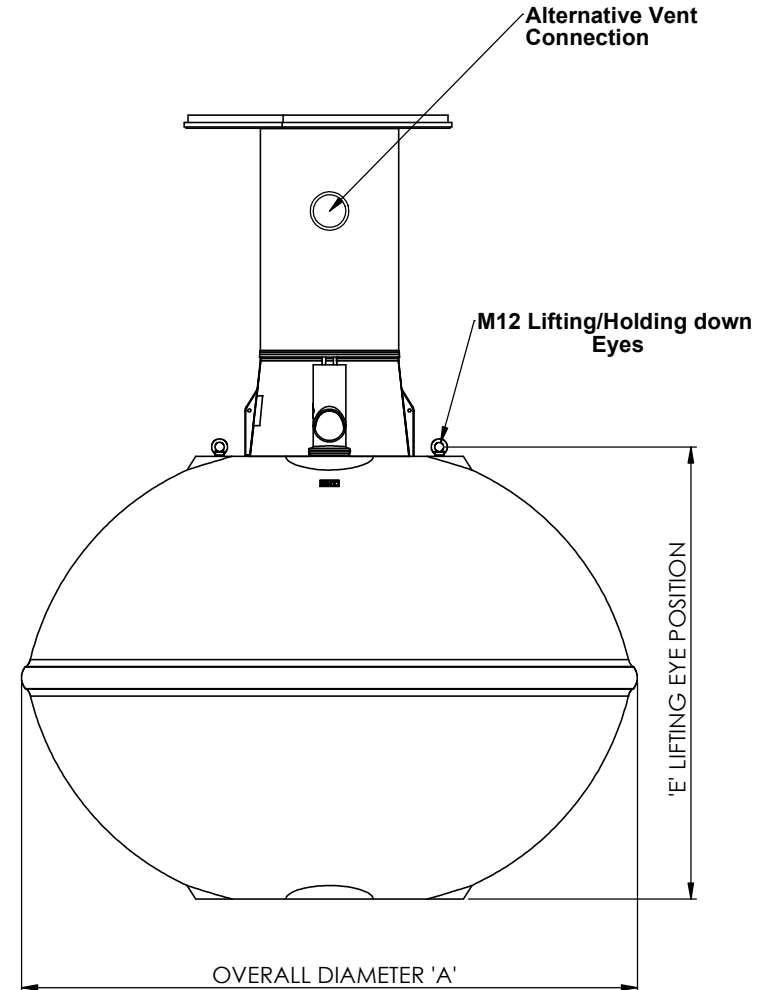
1. Tanks have an inlet invert depth of 1.0m. Upon request tanks may have an invert depth of 1.5m. Do not extend the tank neck.
2. This drawing should be used for dimensional information only. Refer to installation guidelines.
3. Inlet and outlet on septic tank should be suitably vented. Position to suit specific site conditions.
4. Confirm with local building regulations if additional venting is required.
5. If backfilling with peashingle the tank must be strapped down using holding down eyes into the concrete base.

**Roding & Cleaning Access Under Pedestrian Duty Manhole Cover**  
Pea Shingle / Soil



| Capacity | Approx Weight-Empty | Dimensions |      |      |      |      |
|----------|---------------------|------------|------|------|------|------|
|          |                     | Litres     | Kg   | A' Ø | B'   | C'   |
| 2800     | 85                  | 2075       | 1599 | 1549 | 2599 | 1520 |
| 3800     | 115                 | 2075       | 1819 | 1769 | 2810 | 1740 |
| 4600     | 125                 | 2084       | 1984 | 1934 | 2984 | 1905 |

**Note:** Manhole Cover and Frame 600 x 600mm Pedestrian Duty.



| Please Check with Environmental Treatment Systems Limited For The Latest Issue Of This Drawing |          |          |             |             |
|--|----------|----------|-------------|-------------|
| Issue  | Date     | Drawn by | Approved by | Description |
| 06   | 29/03/18 | WMD      |             | CC1418      |
| 05   | 17/03/17 | WMD      |             | CC1372      |
| 04   | 08/08/16 | W.DYER   |             | CC1331      |

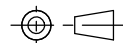
Material :  
Finish :  
Weight :  
Modelled By :

Tolerance (unless stated) :  
Thickness :  
Surface Area : m<sup>2</sup>

**Drawing : DS0552P** Page 1 of 1  
2800, 3800 & 4600 LITRE ALPHA SEPTIC TANKS

All Dimensions In mm

Scale: Do Not Scale



Third Angle Projection

Y:\Drawing Data\02 - Sales Drawings\DS\DS - 05\DS0552P

Kingspan Environmental reserve the right to alter the details of this drawing without prior notice. This drawing is copyright and may not be reproduced or used without the written permission of Kingspan Environmental

