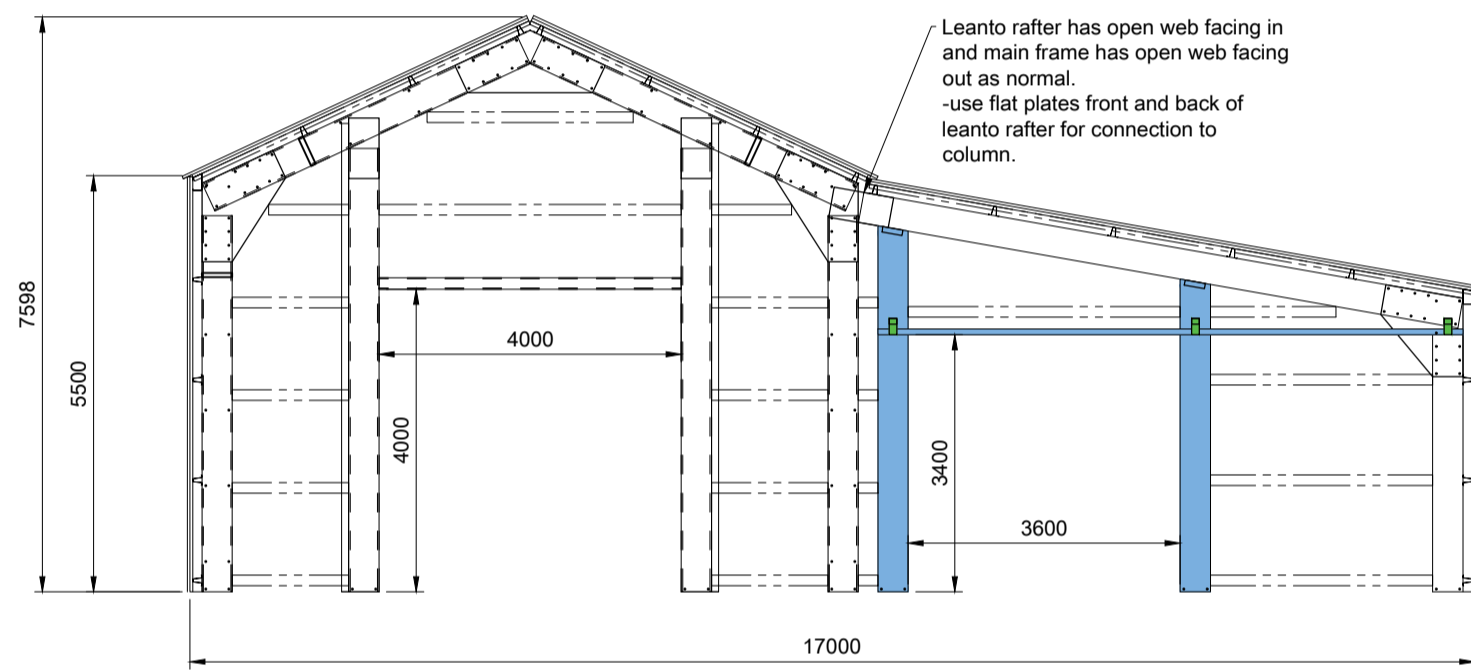
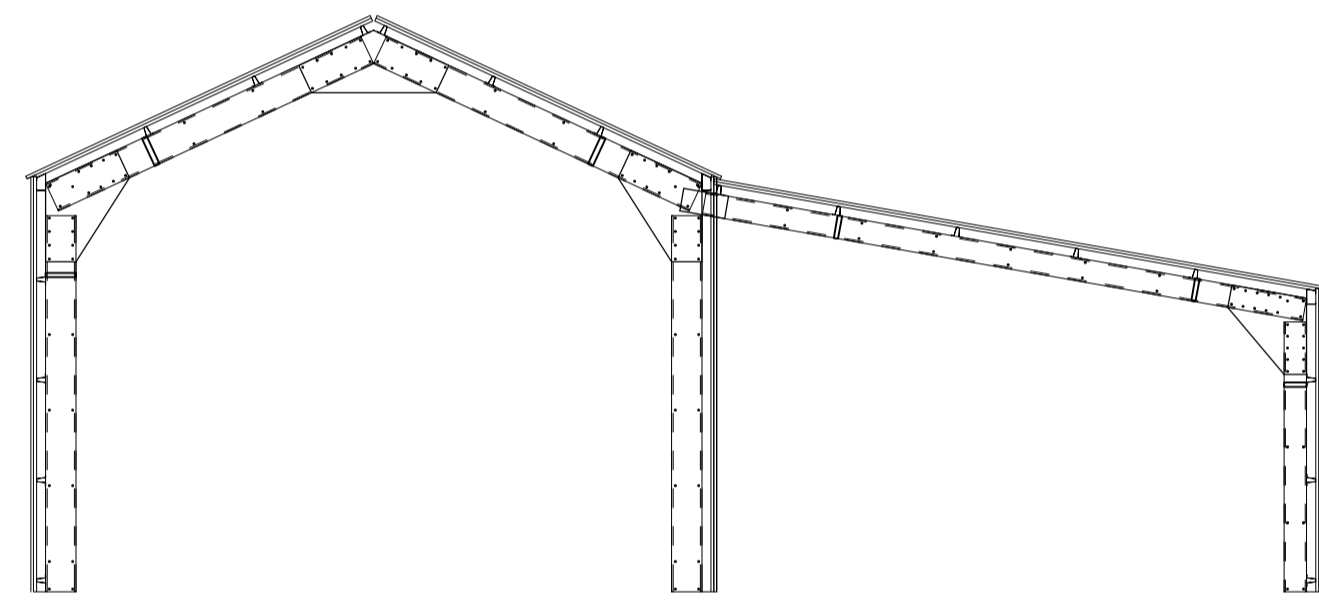


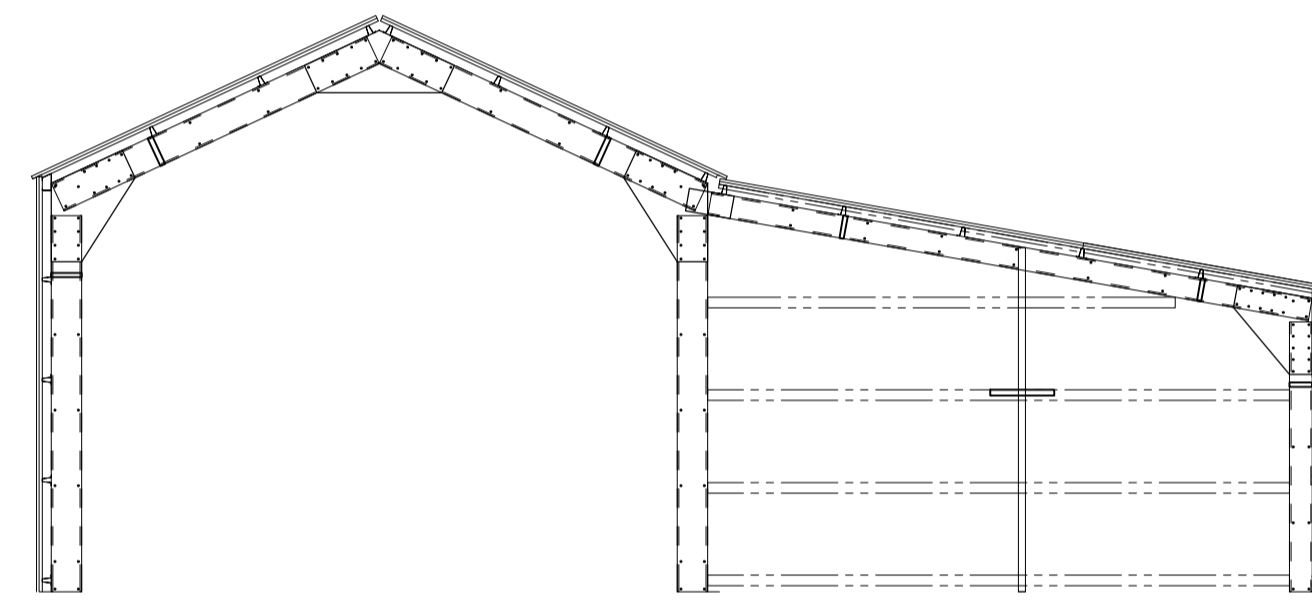
Roof Plan



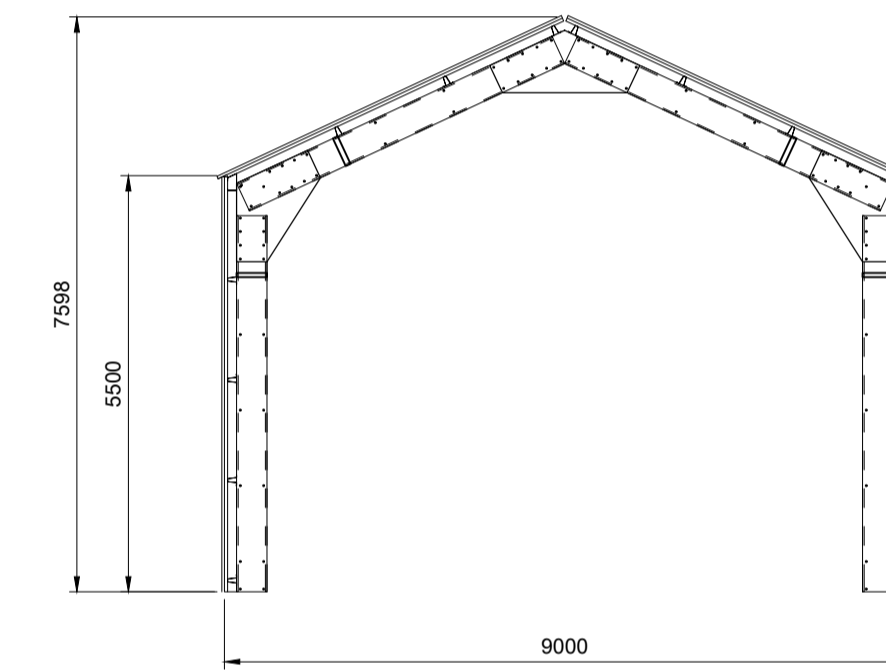
Front Gable Wall



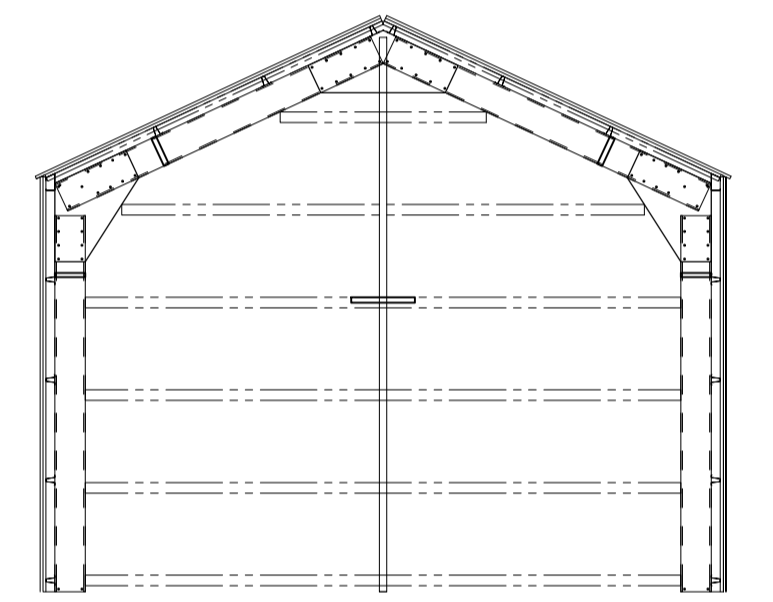
Frame GL 2-6



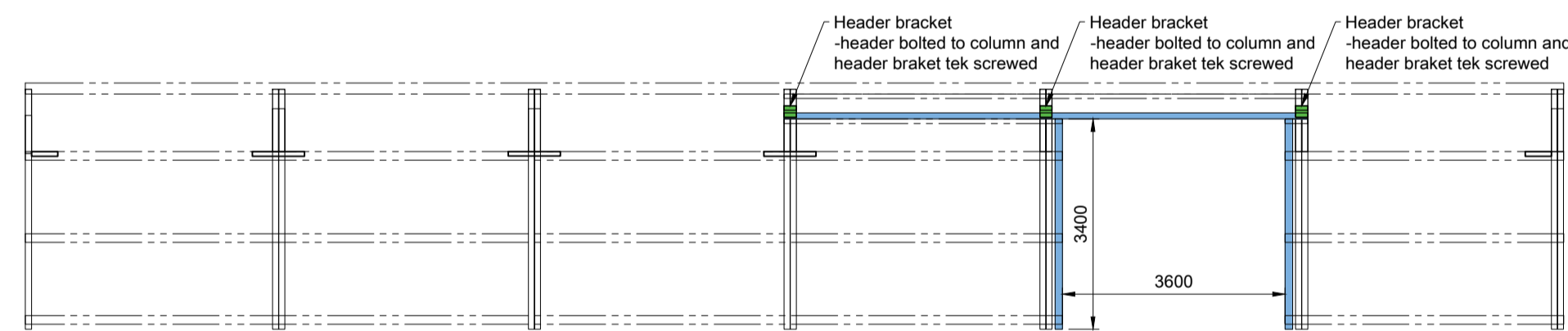
Frame GL 7



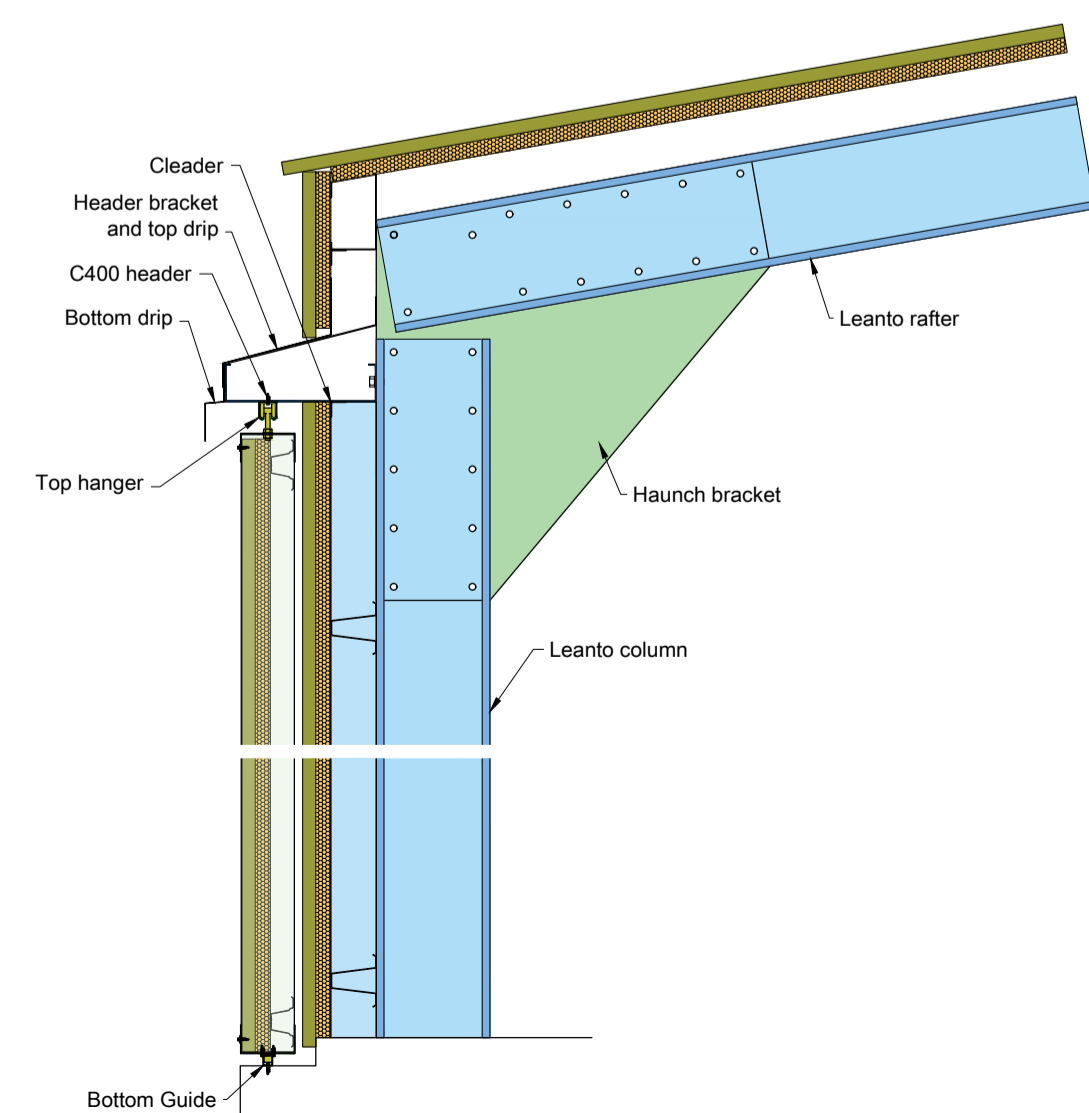
Frame GL 8



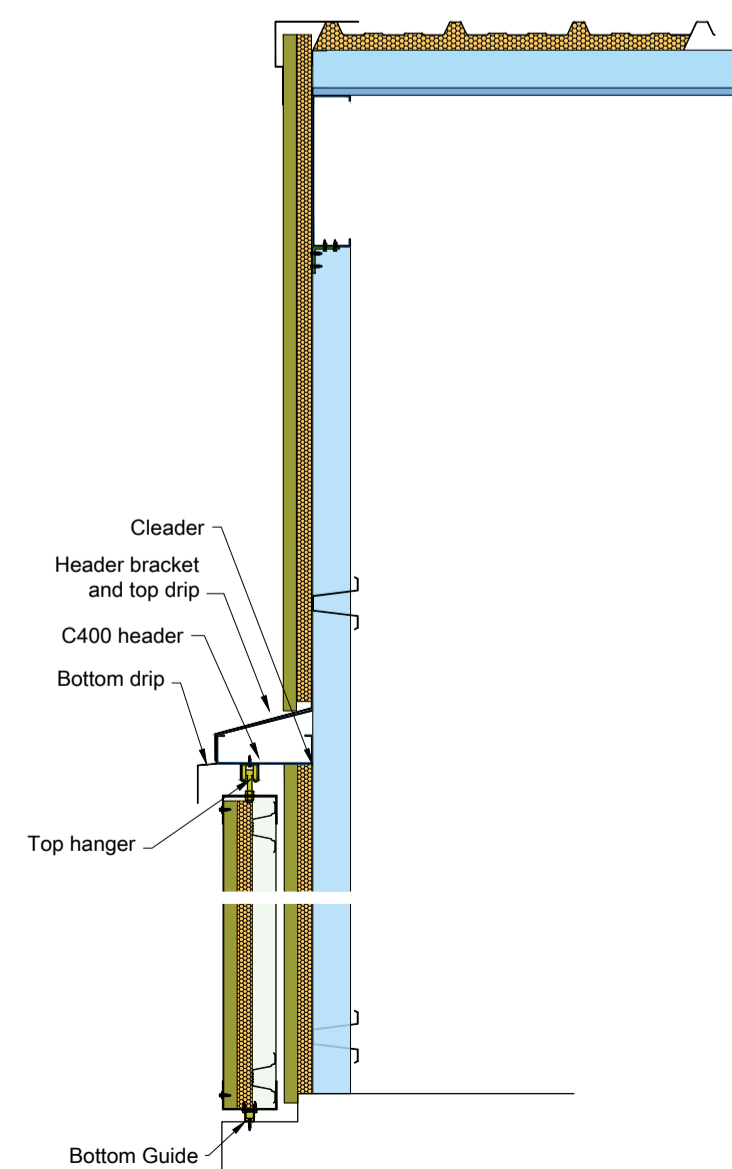
Frame GL 9



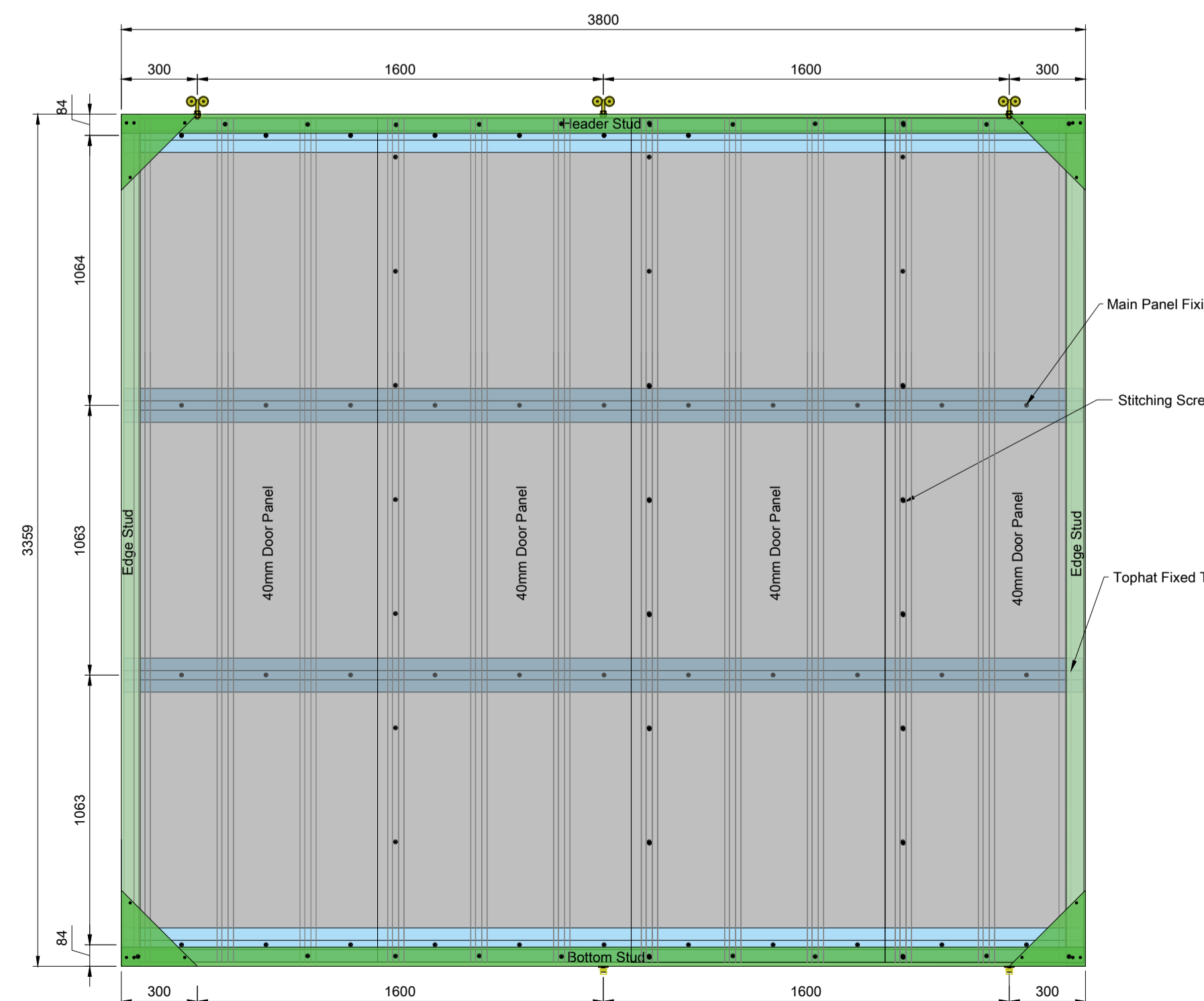
Leanto Side Wall Elevation



Leanto Side Wall Door Arrangement



Front Gable Wall Door Arrangement



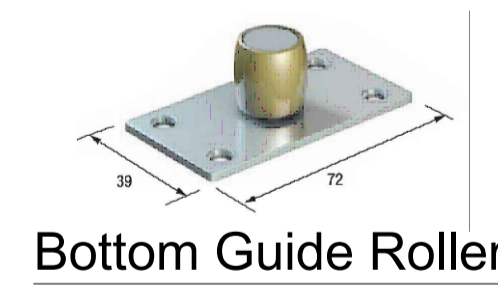
Sliding Door Assembly



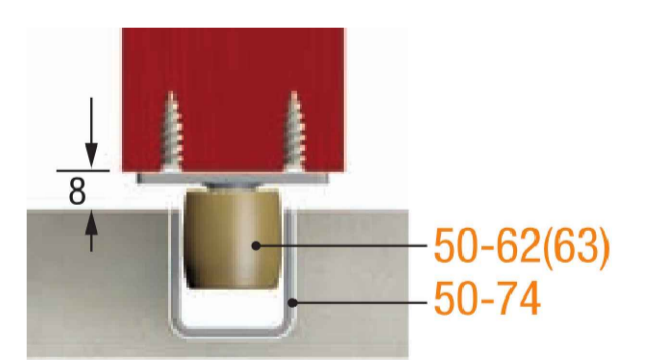
Top Hanger



Top Track, Hanger, and Stopper



Bottom Guide Roller



Bottom Guide Roller and Track



Top Track



Bottom Track



Status:
 Client: Mr J Reeves
 Project: Normandale Farm
 New Barn Lane
 Bishop's Stortford, CM22 7PR
 Frame Details

Job No. 030_s
 Drawing No. DRG03
 Revision No. 01
 Scale: 1:100/1:20 @ A1