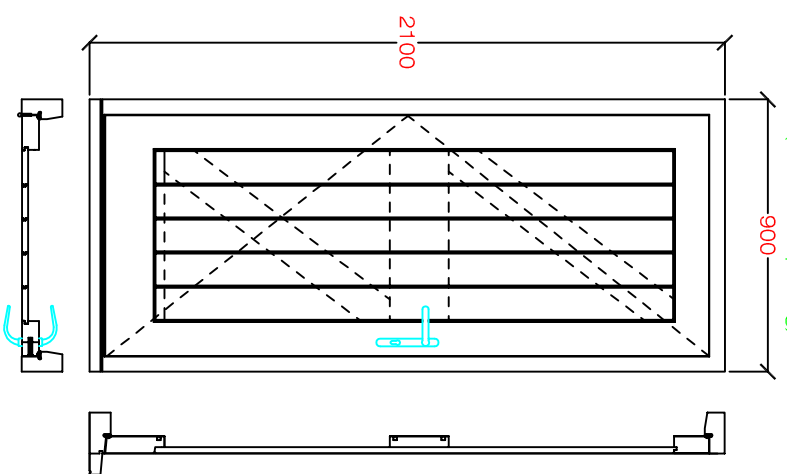


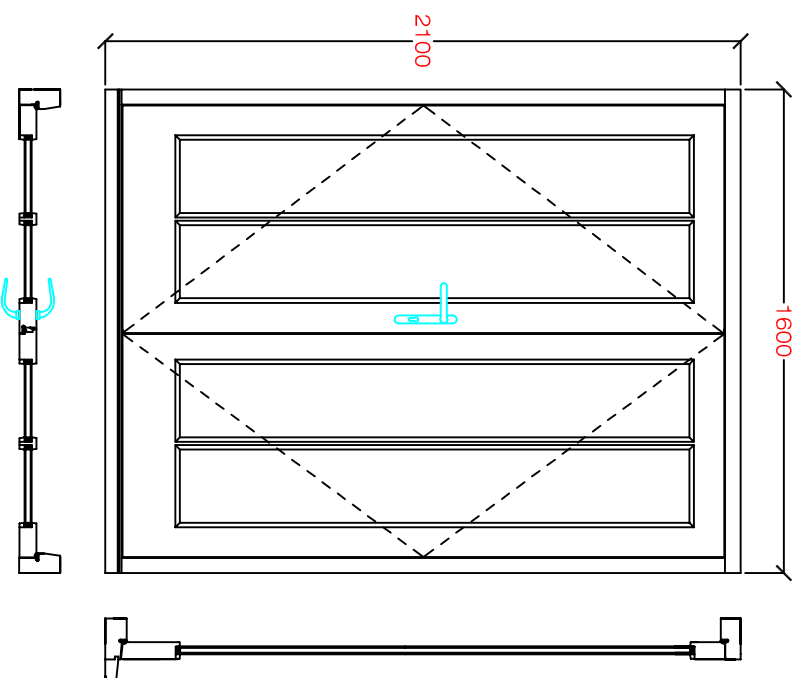
Site Template
W6,W9
PAIRED

Drawing Ref: W08,
W10
(Outward Opening)



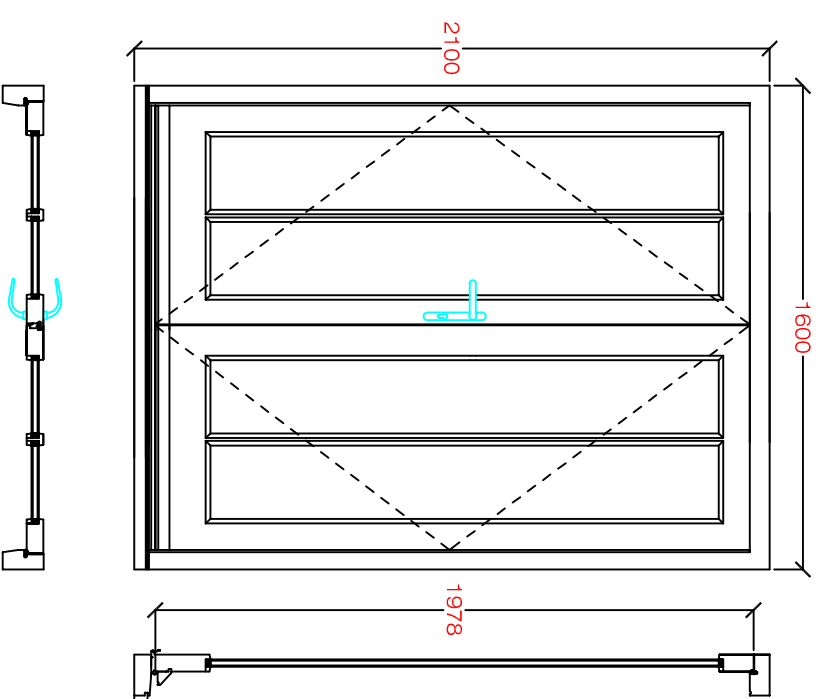
Site Template
W14

Drawing Ref: W04
(Outward Opening)



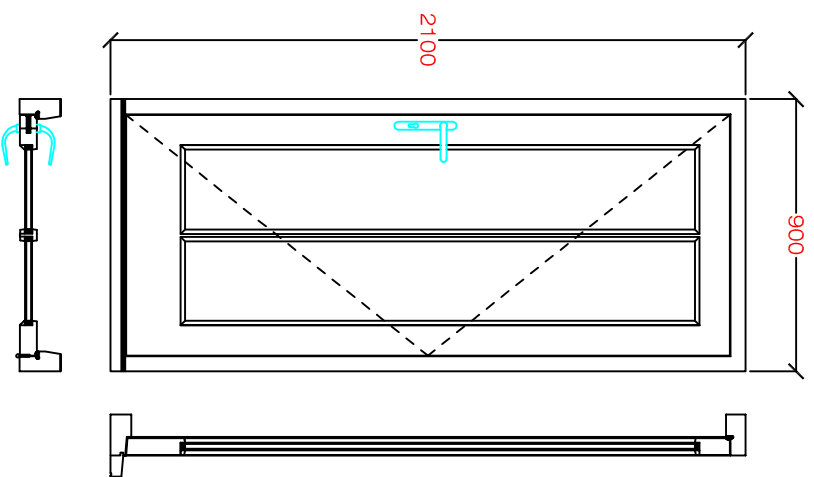
Site Template
W11

Drawing Ref:
Juliet Balcony
(Inward Opening)



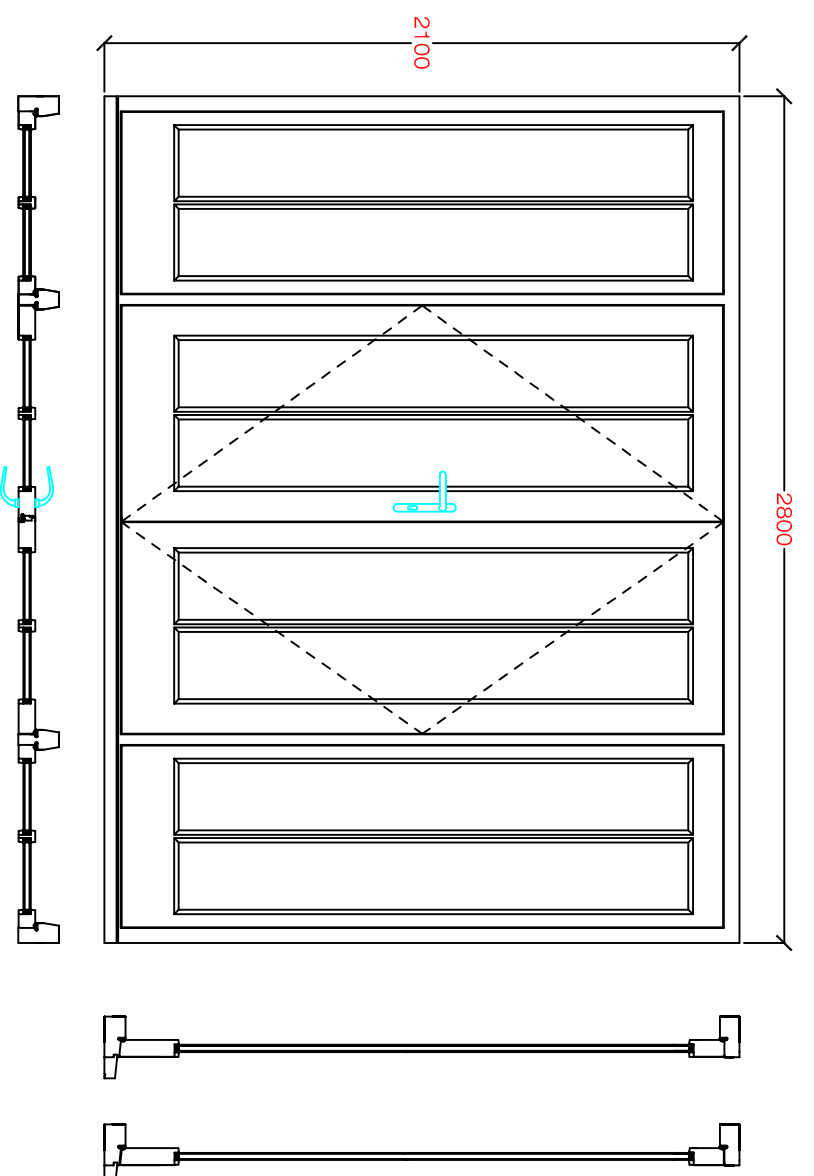
No Template

Drawing Ref: W602
(Outward Opening)



Site Template
W10

Drawing Ref: W607
(Outward Opening)



ISSUE.	
NOTES.	

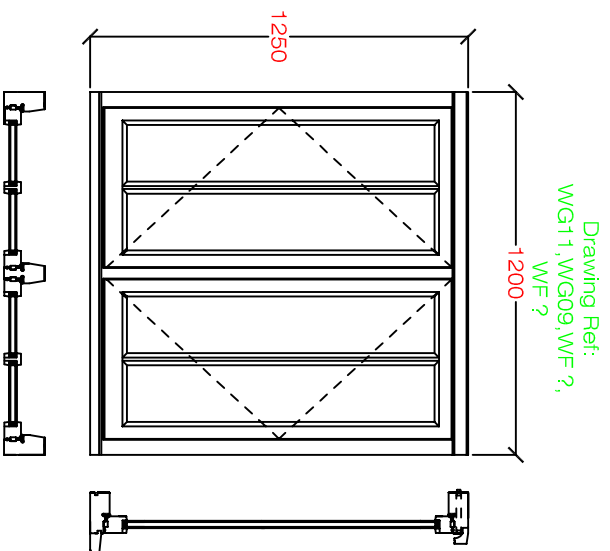
E		
D		
C		
B		
A		
REV.	DATE.	DESCRIPTION.

NORTH QUAY TRADING Ltd

Unit 47 Joseph Wilson Industrial Estate
Millstrood Road
Whitstable, Kent CT5 3PS
Tel: 01227 773026

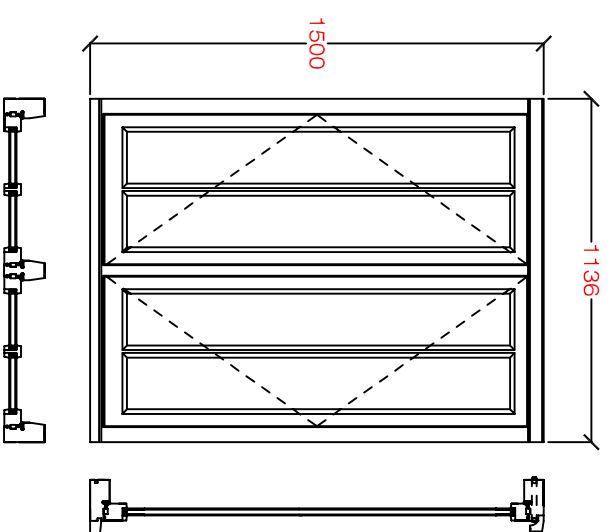
DRAWN BY.	MH	SCALE.	1:25	A3
CUSTOMER.	Graham Oats		DATE.	17/10/22
DESCRIPTION.	Charlton Oast Door Sets			
FINISH.	Sanded, Coated with Ormia Preserve			
DRWG No.	6113	REV.		

Site Template
WG04, WG07, WF5, WF8
(1 Egress)



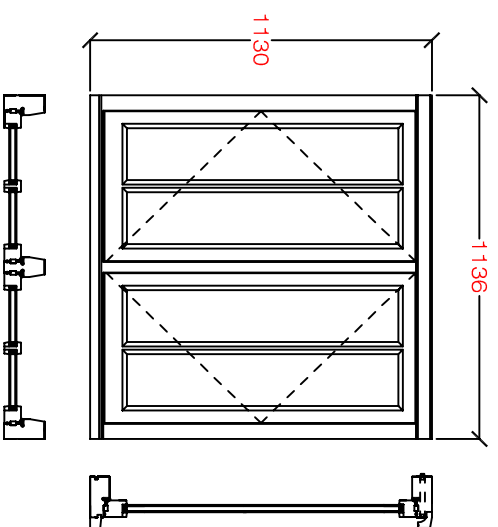
Drawing Ref: WG11, WG09, WF2, WF2

Site Template WG3
Drawing Ref: WG12



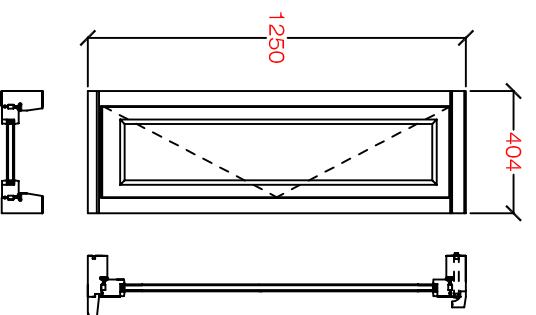
Site Template WG1, WG2

Drawing Ref: WG13, WG14



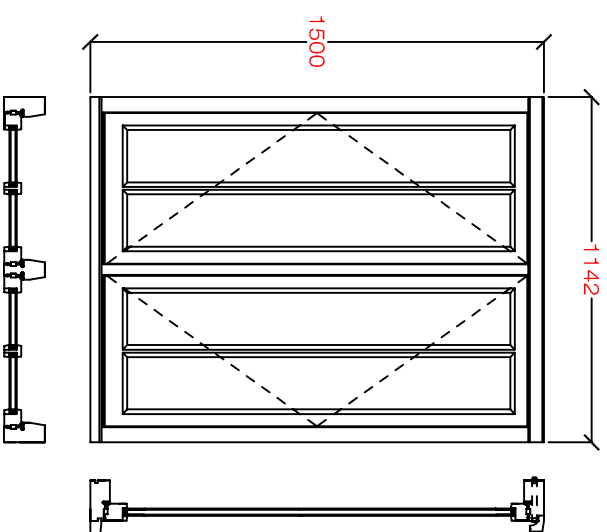
Site Template
WG12, WG13 Paired

Drawing Ref: WG05, WG06



Site Template WG15, WG16

Drawing Ref: WG02, WG03



ISSUE.

NOTES.

Trickle Vent in Heads

E		
D		
C		
B		
A		
REV.	DATE.	DESCRIPTION.

NORTH QUAY TRADING Ltd

Unit 47 Joseph Wilson Industrial Estate
Millstrood Road
Whitstable, Kent CT5 3PS
Tel: 01227 773026

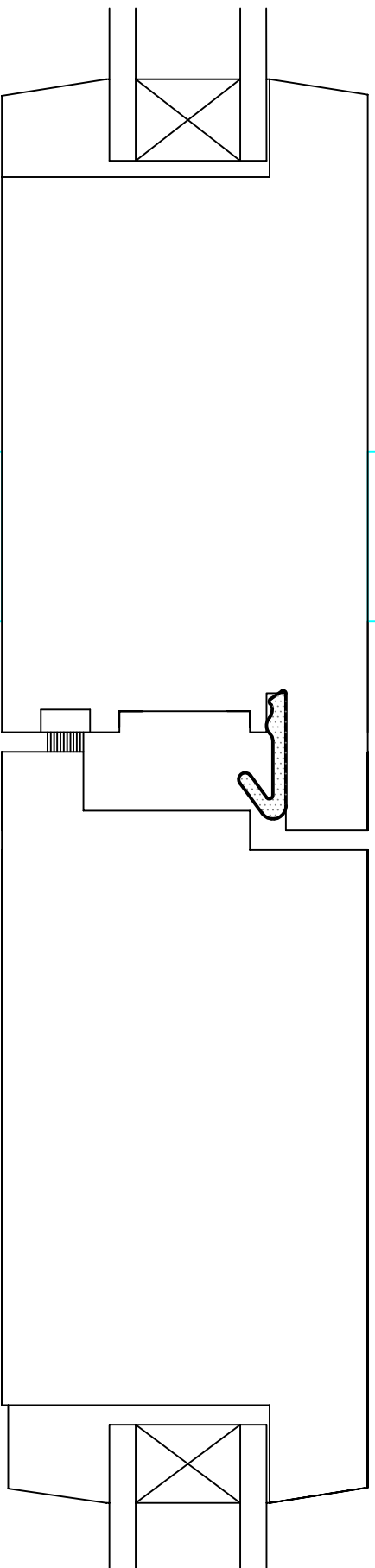
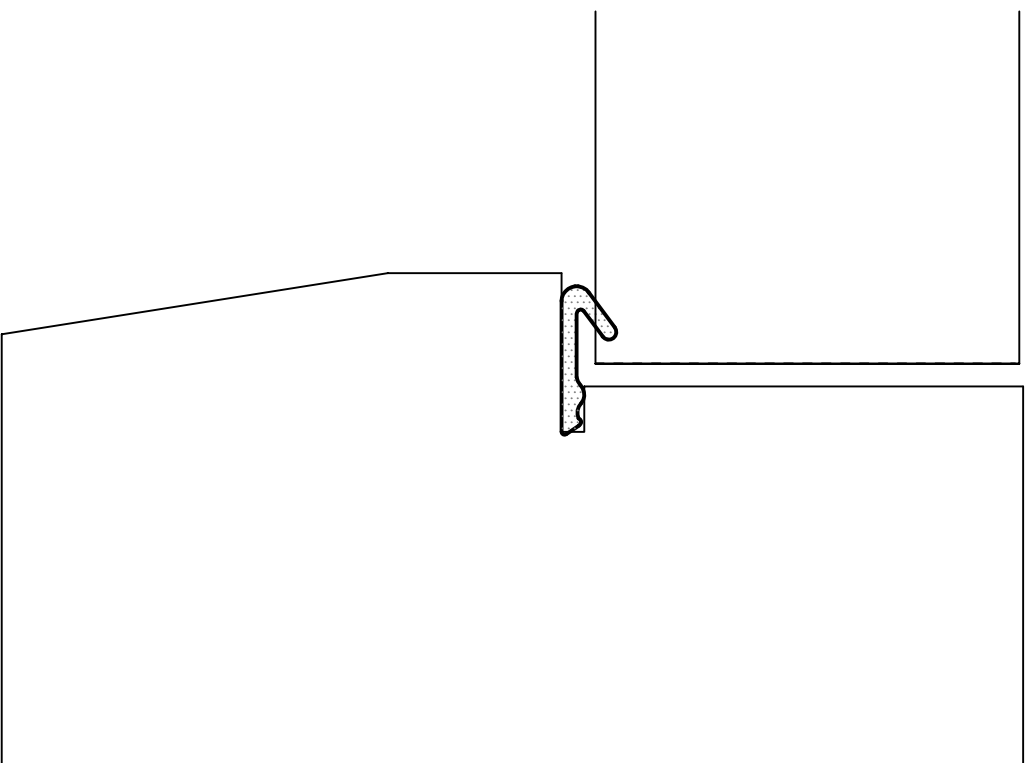
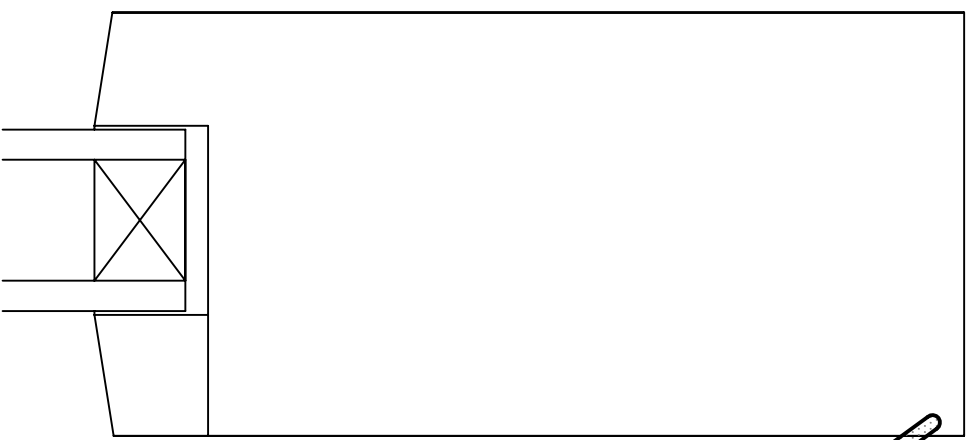
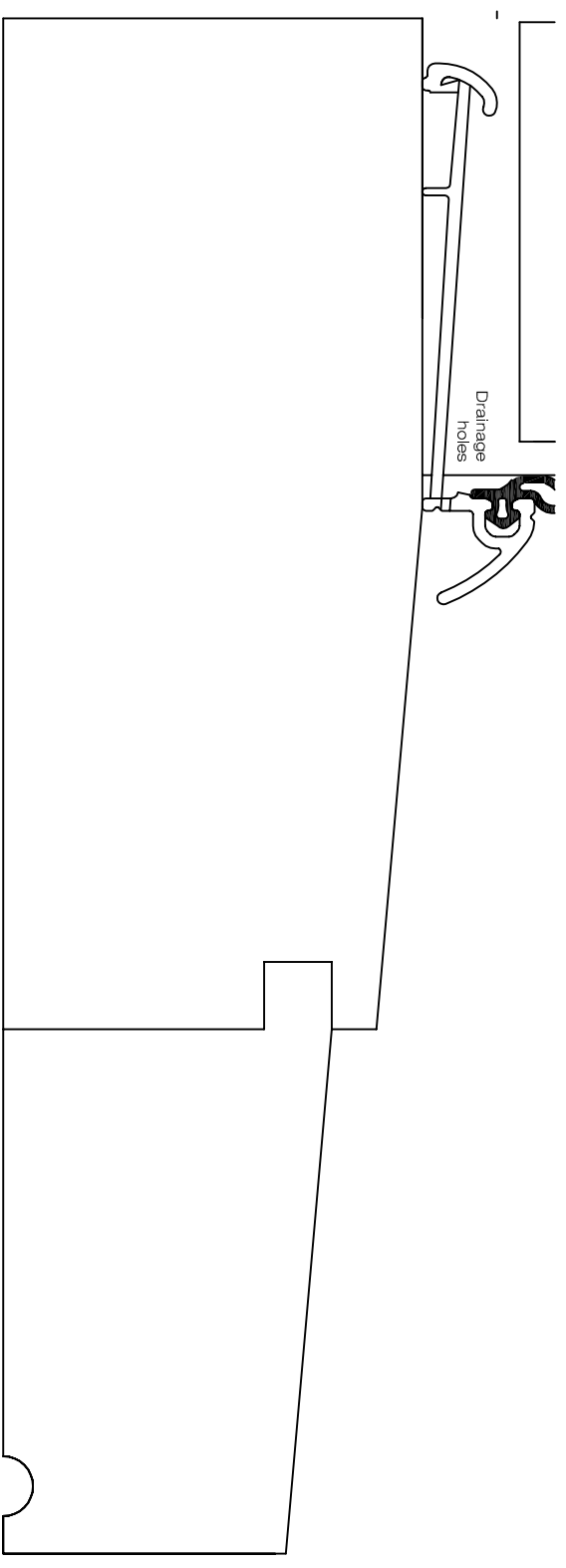
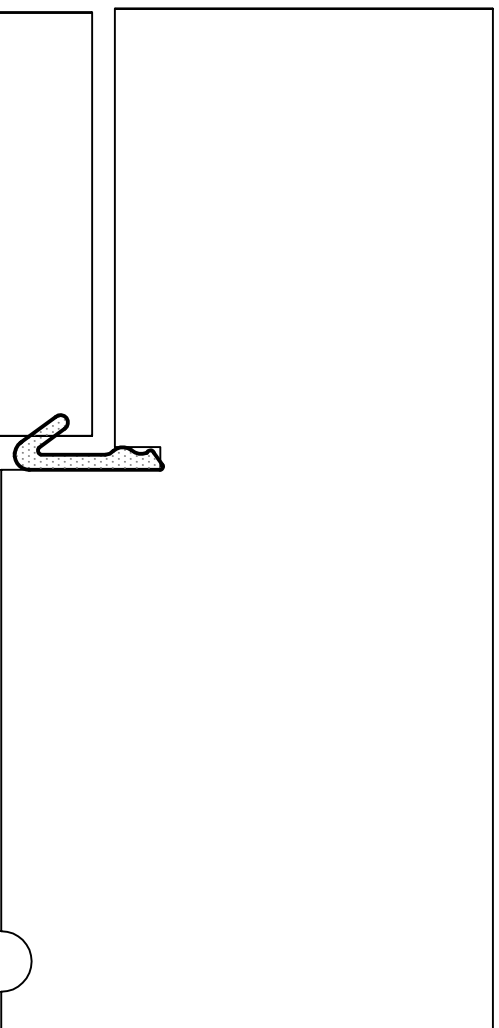
DRAWN BY: MH SCALE: 1:25 A3

CUSTOMER: Graham Oats DATE: 17/10/22

DESCRIPTION:
Charlton Oast
Windows

FINISH: Sanded, Coated with Ormnia Preserve

DRWG No. 6113 REV.



ISSUE.

NOTES.

Trickle Vent in Heads

E		
D		
C		
B		
A		
REV.	DATE.	DESCRIPTION.

NORTH QUAY TRADING Ltd

Unit 47 Joseph Wilson Industrial Estate
 Millstrood Road
 Whitstable, Kent CT5 3PS
 Tel: 01227 773026

DRAWN BY: M.Hudson

SCALE: 1:25 A3

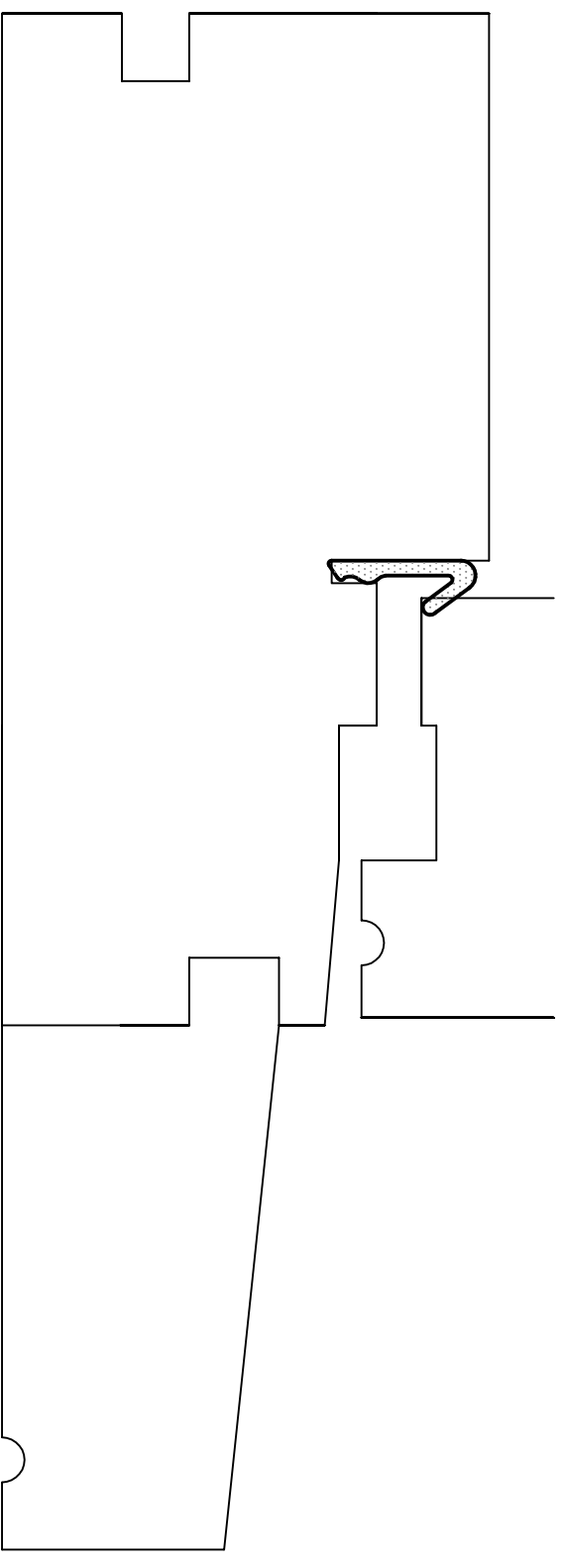
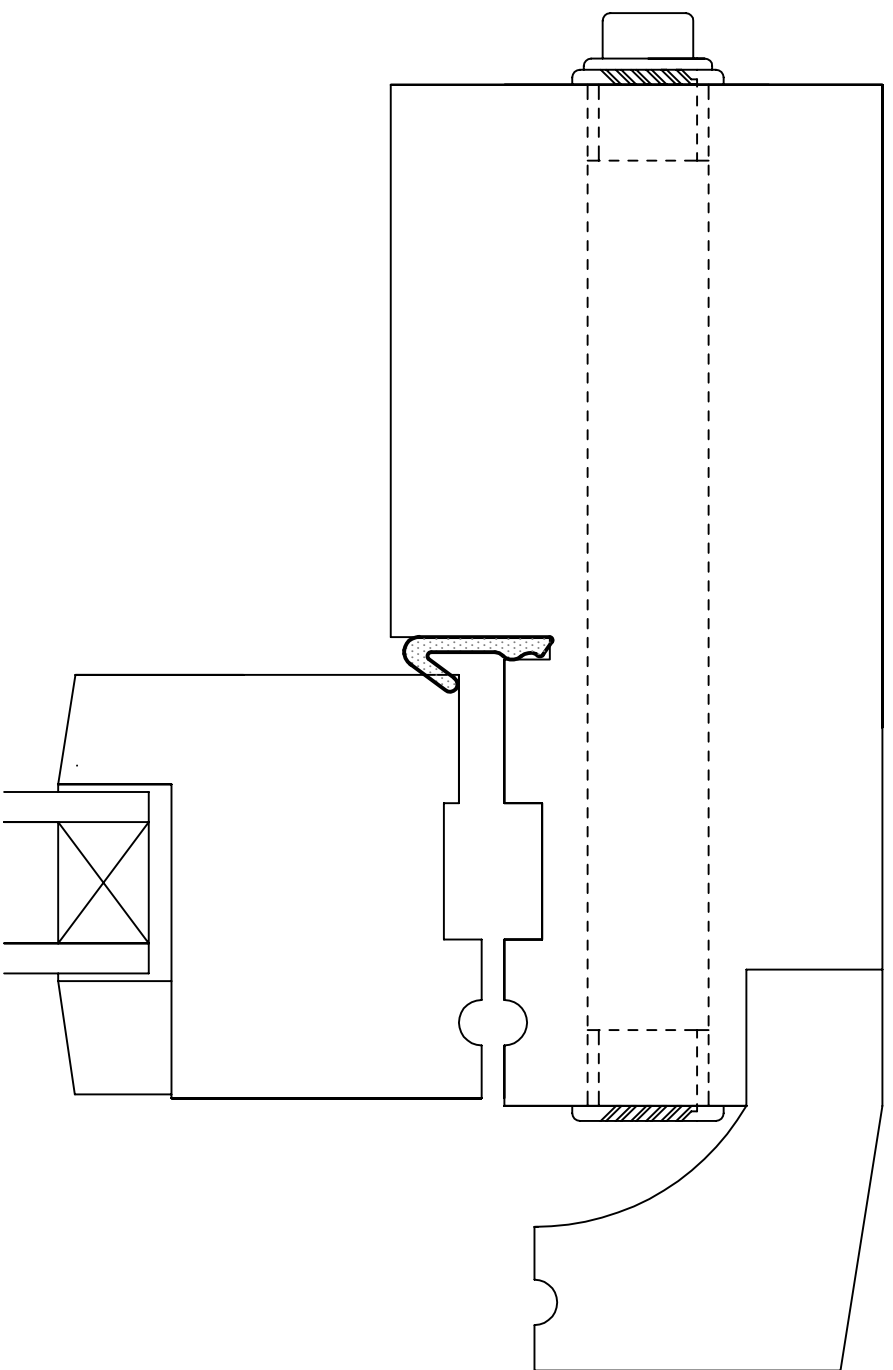
CUSTOMER: Graham Oats

DATE: 22/11/22

DESCRIPTION: Charlton Oast
 Inward Opening Juliet Balcony

FINISH: Sanded, Coated with Ormnia Preserve

DRWG No. 6113 REV.



ISSUE.

NOTES.

Trickle Vent in Heads

E		
D		
C		
B		
A		
REV.	DATE.	DESCRIPTION.

NORTH QUAY TRADING Ltd

Unit 47 Joseph Wilson Industrial Estate
 Millstrood Road
 Whitstable, Kent CT5 3PS
 Tel: 01227 773026

DRAWN BY: M.Hudson

SCALE: 1:25

A3

CUSTOMER: Graham Oats

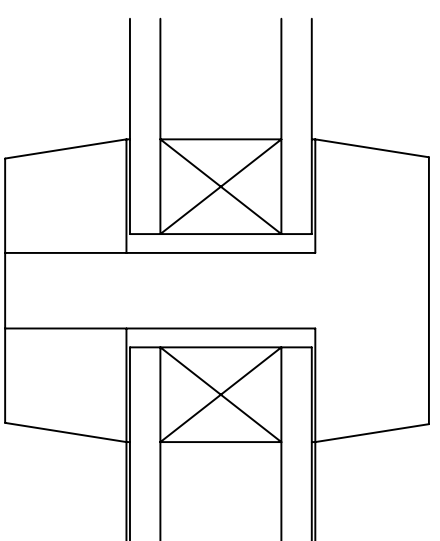
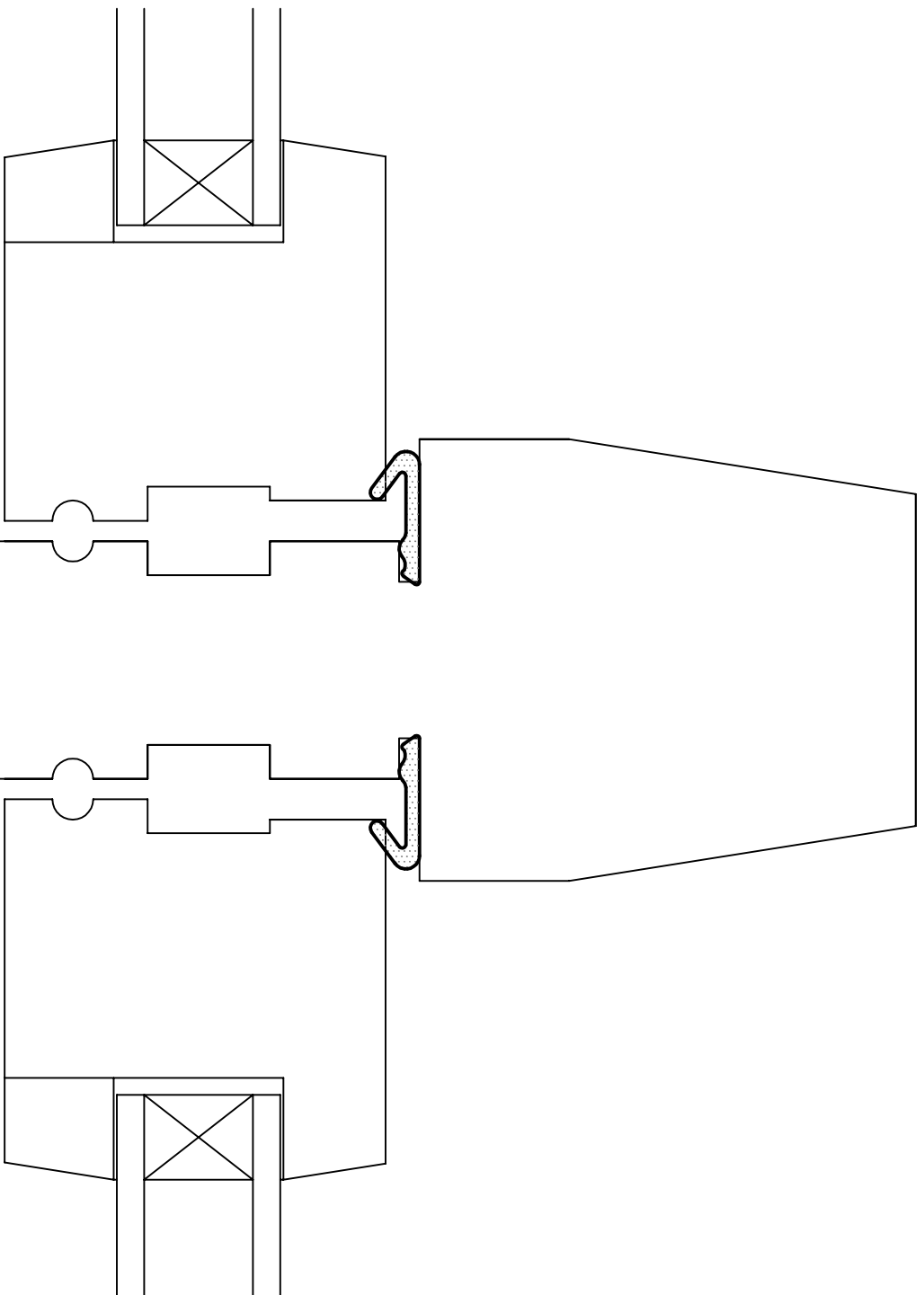
DATE: 17/10/22

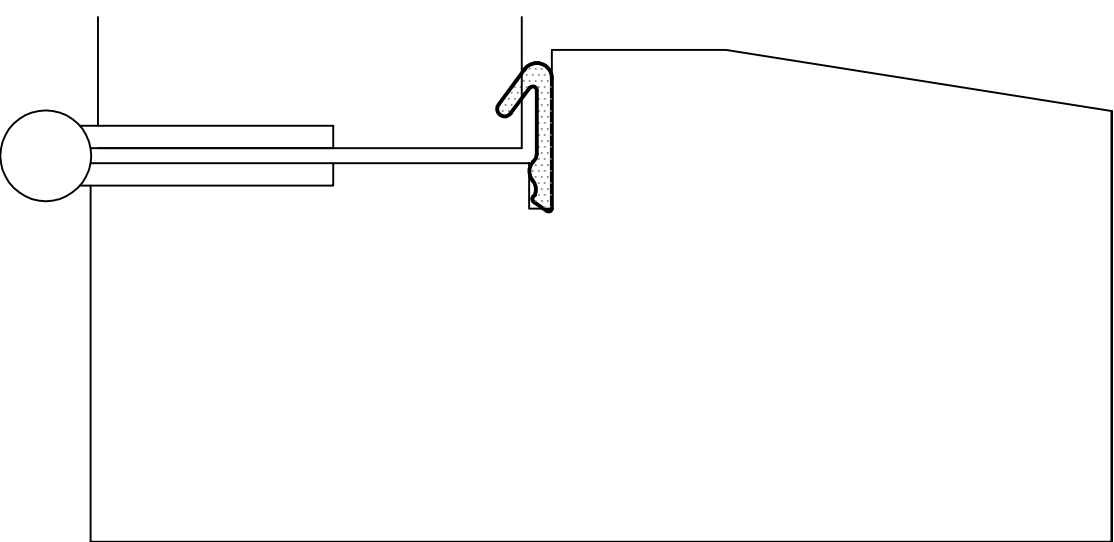
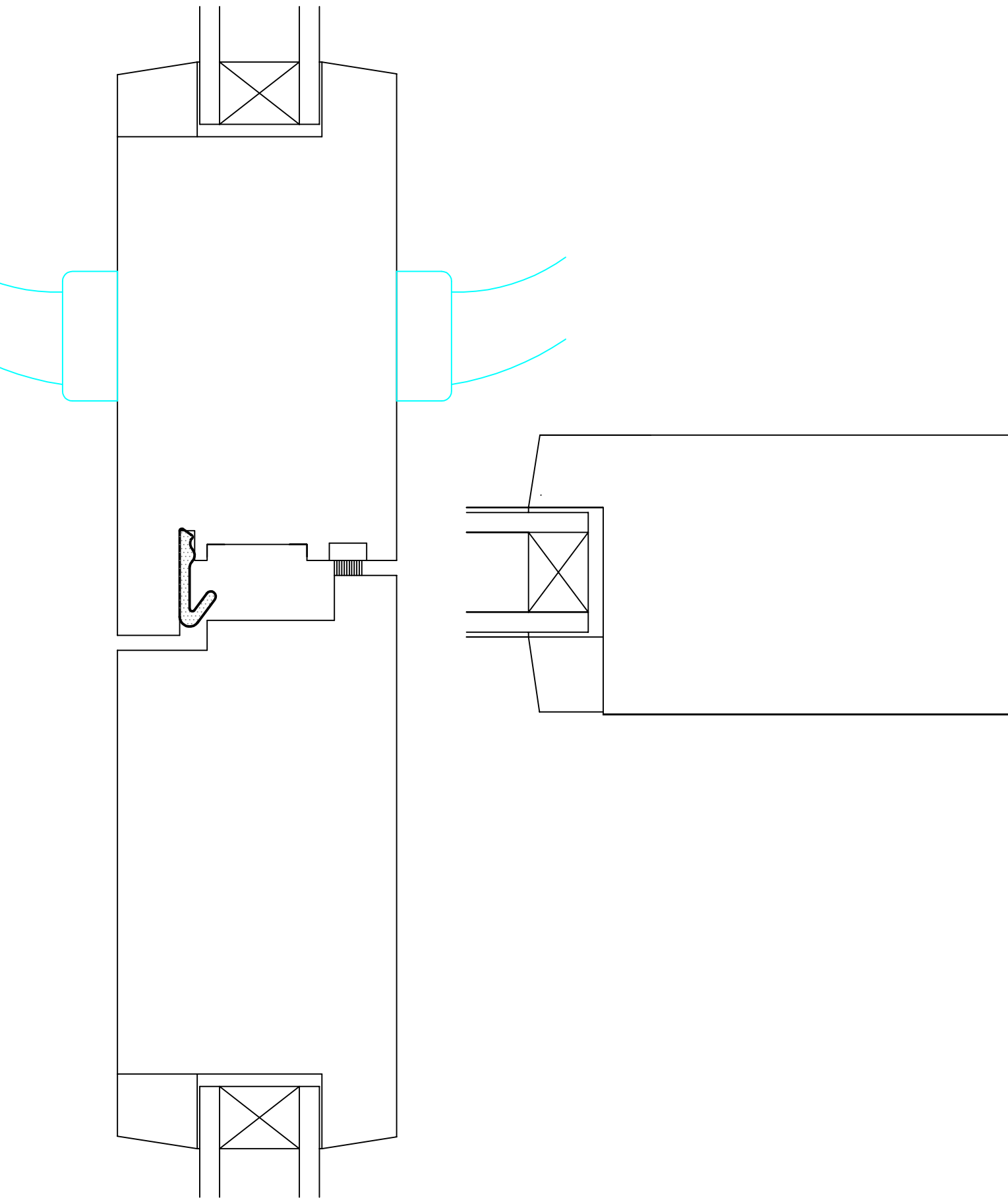
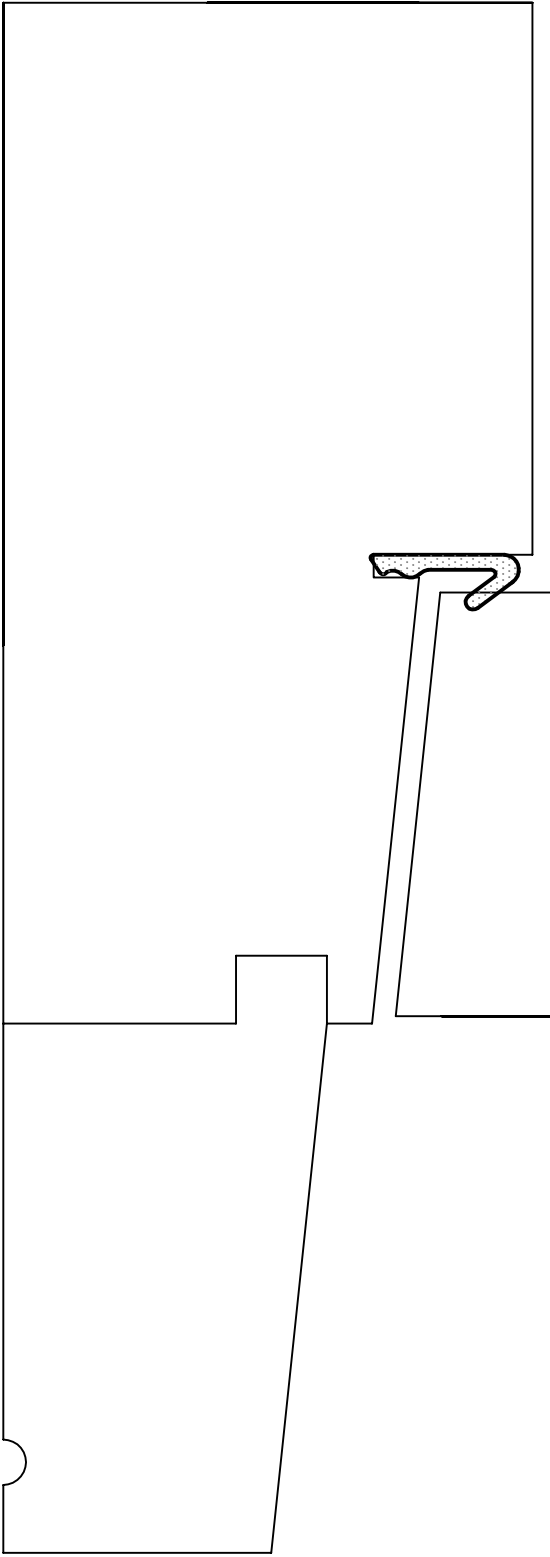
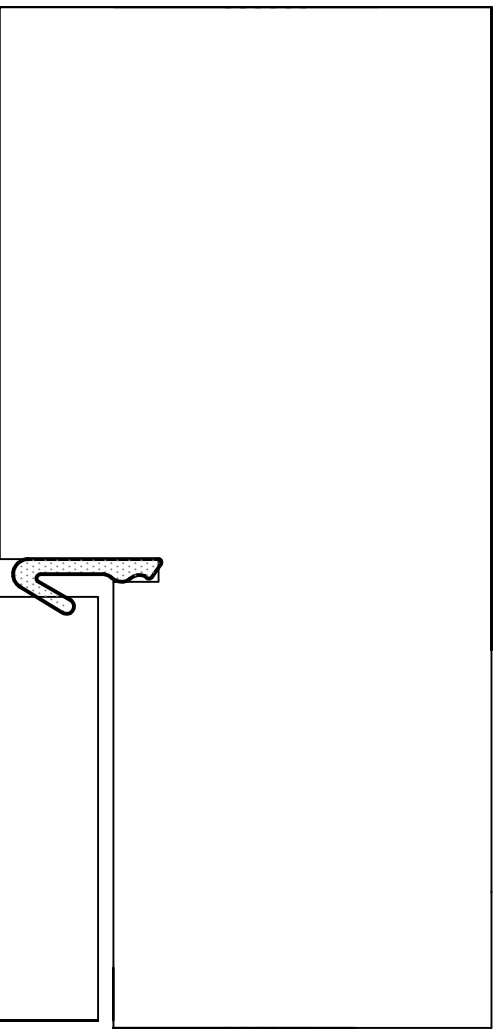
DESCRIPTION: Charlton Oast Windows

FINISH: Sanded, Coated with Ormnia Preserve

DRWG No. 6113

REV.





ISSUE.

NOTES.
Trickle Vent in Heads

REV.	DATE.	DESCRIPTION.
A		
B		
C		
D		
E		

NORTH QUAY TRADING Ltd
 Unit 47 Joseph Wilson Industrial Estate
 Millstrood Road
 Whitstable, Kent CT5 3PS
 Tel: 01227 773026

DRAWN BY:	M. Hudson	SCALE:	1:25	A3
CUSTOMER:	Graham Oats	DATE:	22/11/22	
DESCRIPTION:	Charlton Oast Door Set Sections Outward Open			
FINISH:	Sanded, Coated with Ormnia Preserve			
DRWG No.	6113	REV.		