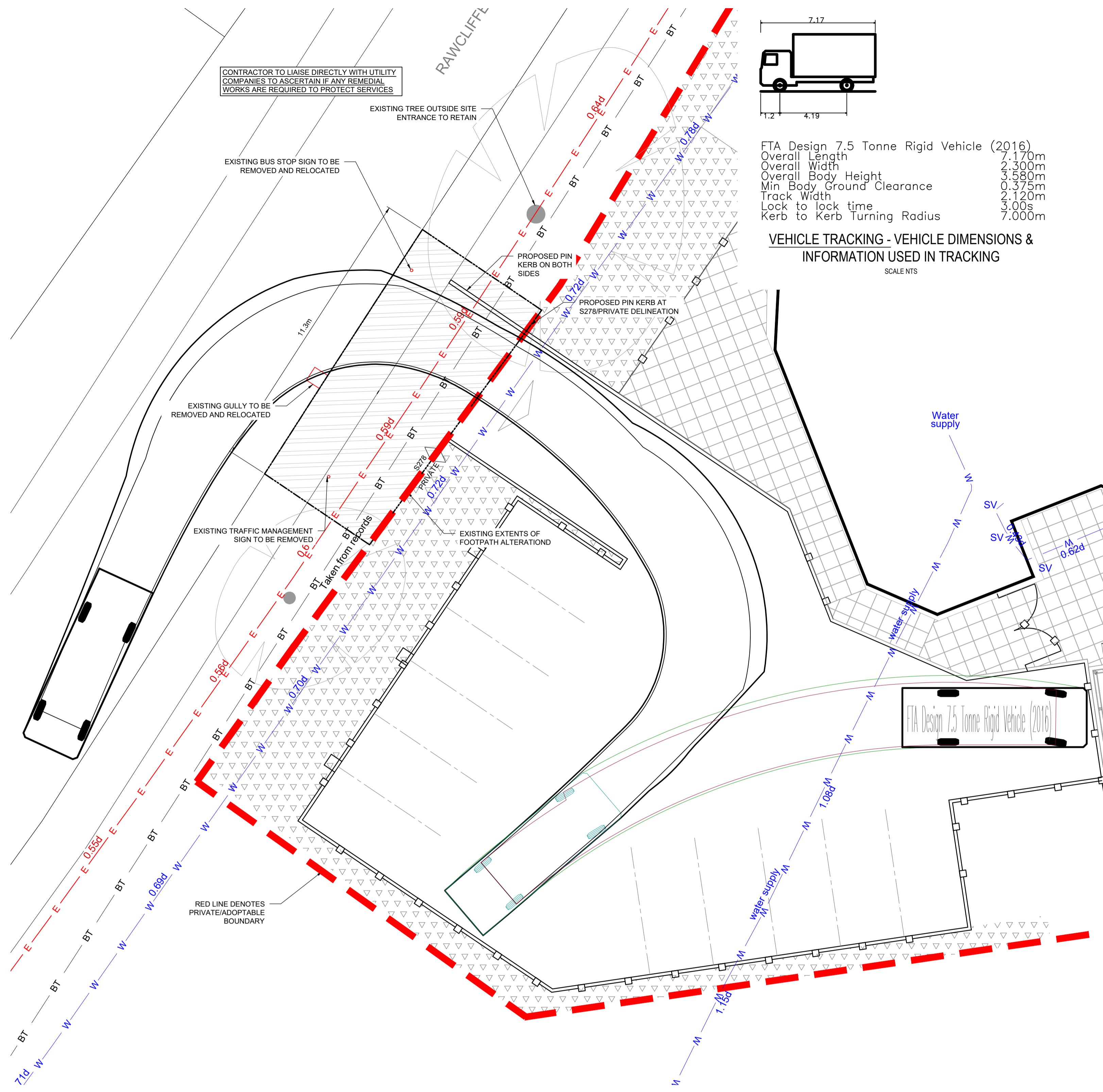
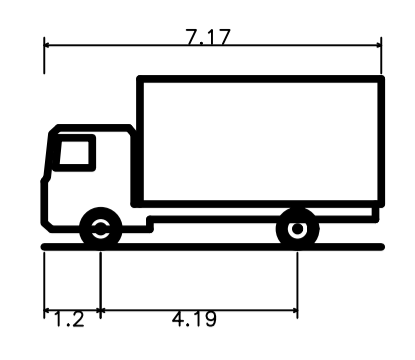


VEHICLE TRACKING - ENTRANCE TO SITE
"FTA Design 7.5 Tonne Rigid Vehicle"
SCALE 1:100



VEHICLE TRACKING - EXIT FROM SITE
"FTA Design 7.5 Tonne Rigid Vehicle"
SCALE 1:100



FTA Design 7.5 Tonne Rigid Vehicle (2016)
Overall Length 7.170m
Overall Width 2.300m
Overall Body Height 3.580m
Min Body Ground Clearance 0.375m
Track Width 2.120m
Lock to lock time 3.00s
Kerb to Kerb Turning Radius 7.000m

VEHICLE TRACKING - VEHICLE DIMENSIONS & INFORMATION USED IN TRACKING
SCALE NTS

- NOTES:
- THESE NOTES ARE INTENDED TO AUGMENT DRAWINGS AND SPECIFICATIONS. WHERE CONFLICT OF REQUIREMENTS EXIST THE ORDER OF PRECEDENCE SHALL BE AS SHOWN IN THE SPECIFICATION. OTHERWISE THE STRICTEST PROVISION SHALL GOVERN.
 - THIS DRAWING IS TO BE READ IN CONJUNCTION WITH ALL OTHER RELEVANT ENGINEERS AND ARCHITECTS DRAWINGS.
 - DRAWINGS NOT TO BE SCALED. ALL DIMENSIONS TO BE CHECKED ON SITE BY THE CONTRACTOR. ANY DISCREPANCIES TO BE NOTIFIED TO THE ENGINEER AND FURTHER INSTRUCTIONS OBTAINED BEFORE WORK IS COMMENCED.
 - THE STRUCTURE IS DESIGNED TO BE SELF-SUPPORTING AND STABLE AFTER THE BUILDING IS FULLY COMPLETED. IT IS THE CONTRACTOR'S SOLE RESPONSIBILITY TO DETERMINE THE ERECTION PROCEDURE AND SEQUENCE AND ENSURE THAT THE BUILDING AND ITS COMPONENTS ARE SAFE DURING ERECTION. THIS INCLUDES THE ADDITION OF WHATEVER TEMPORARY BRACING, GUYS OR TIE-DOWNS WHICH MAY BE NECESSARY. SUCH MATERIAL REMAINING THE PROPERTY OF THE CONTRACTOR ON COMPLETION, AND FOR ENSURING THAT THE WORKS AND ANY ADJACENT PROPERTIES ARE SAFE IN THE TEMPORARY CONDITION.
 - INFORMATION FROM UTILITY SERVICES HAS BEEN TAKEN FROM DWG REF. '8129-02_UTILITY' PROVIDED BY CITY OF YORK COUNCIL.

CoYC TO CONFIRM OVERALL DIMENSIONS AND SPECIFICATIONS OF VEHICLE USED FOR DESIGN.

AWP KEY / LEGEND

REVISION CLOUD DENOTES VEHICLE TRACKING OBSTRUCTIONS	
ELECTRIC SERVICES	
WATER SERVICES	
BT SERVICES	

Rev	Description	Date	By	Chk	App
P4	SITE PLAN & TRACKING POSITION UPDATED	04.08.23	BB	BI	BI
P3	VEHICLE TYPE DIMENSIONS UPDATED	05.07.23	BB	BI	BI
P2	VEHICLE TYPE DIMENSIONS UPDATED	03.07.23	BB	BI	BI
P1	FIRST ISSUE	20.06.23	BB	BI	--

Alan Wood & Partners

York Office
Omega 2
Monks Cross Drive
York
YO32 9GZ

Consulting Civil & Structural Engineers
Project Managers
Building Surveyors

Hull T. 01482 442138
Lincoln T. 01522 300210
London T. 02071 860761
Scarborough T. 01723 865484
Sheffield T. 01142 440077
Leeds T. 01135 311098

T. 01904 611594
www.alanwood.co.uk

Project:	Clifton Explore Library. Rawcliffe Road ,York.
Client:	City of York Council
Drawing:	Proposed Site Entrance - Vehicle Tracking (Option 2)
Role:	Civil Engineer
Drawing Status:	Preliminary
Subsidiary Code:	S3
Job no.:	46867
Scale@ A1:	AS NOTED
Rev.:	P4
Project Originator:	CEL - AWP - ZZ - XX - DR - S - S - 5001