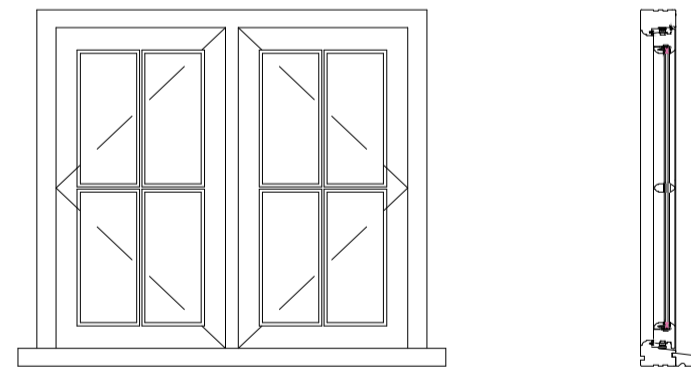
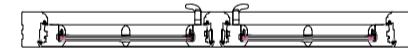
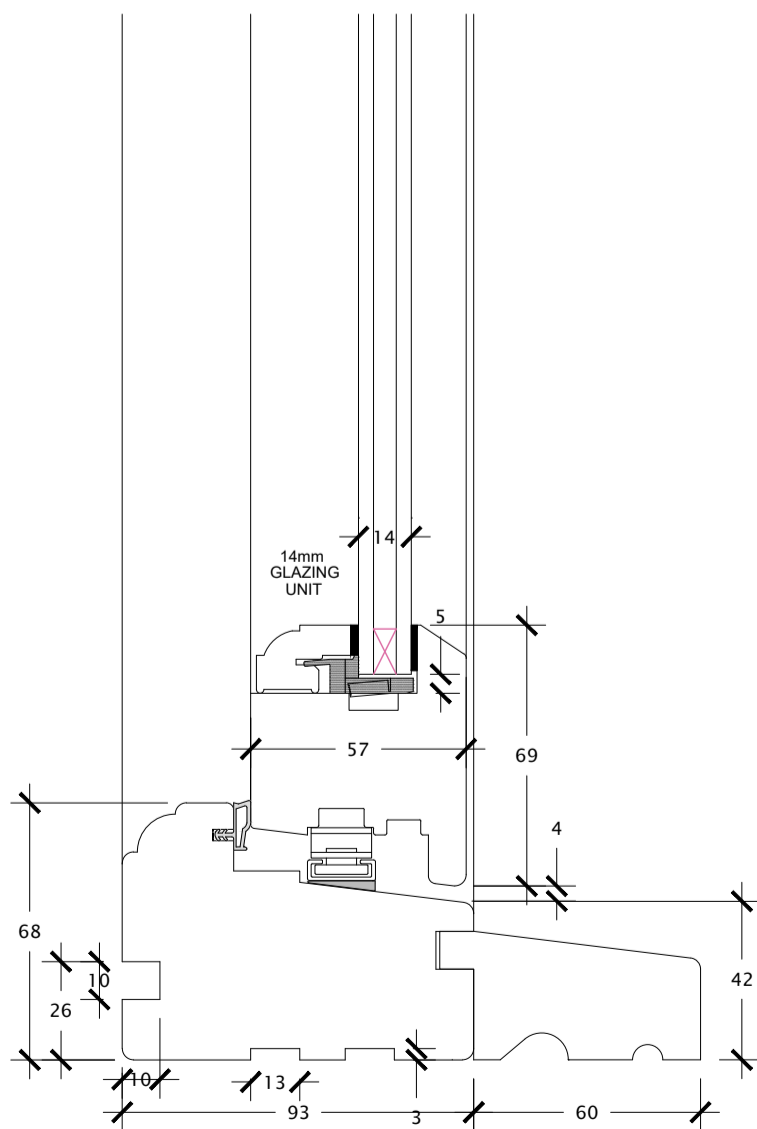


Horizontal Section
Scale 1:2



Window Elevation & Sections
Scale 1:20



Vertical Section
Scale 1:2



Dimensions must not be scaled from this drawing.
This drawing is copyright and must not be reproduced.

8 Hopton Castle, Craven Arms, SY7 0QF

for

Mr & Mrs M Lynskey

Proposed Windows

Date: 24.04.23 Status: Tender

Scale: 1:20 & 1:2 @ A2

Drg. No: Lynk.1 623

The Architecture Studio

The Architecture Studio
135 Corve Street, Ludlow SY8 2PG
Tel: 01584 877992 Email: info@trevorhewett.co.uk
www.trevorhewett.co.uk