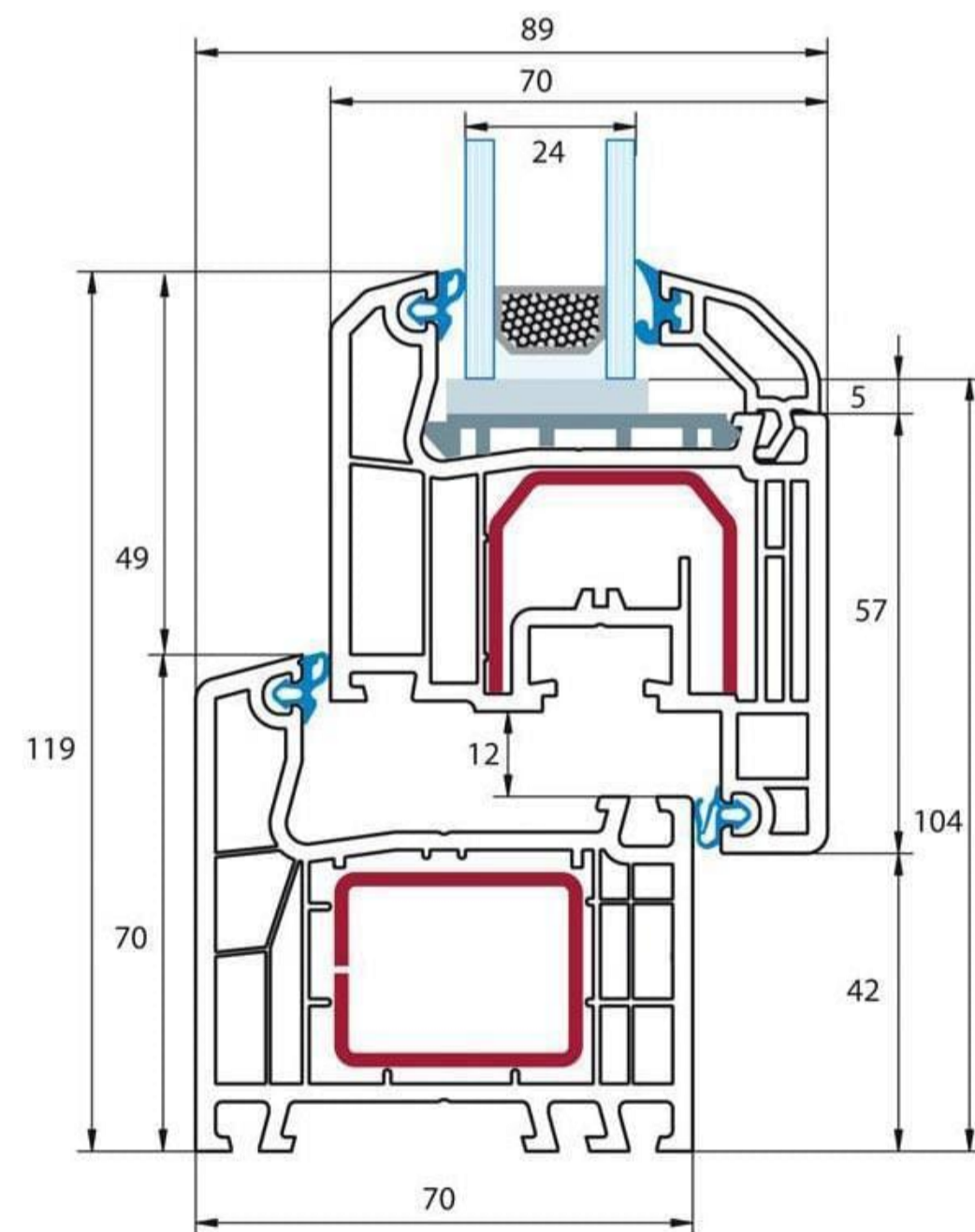
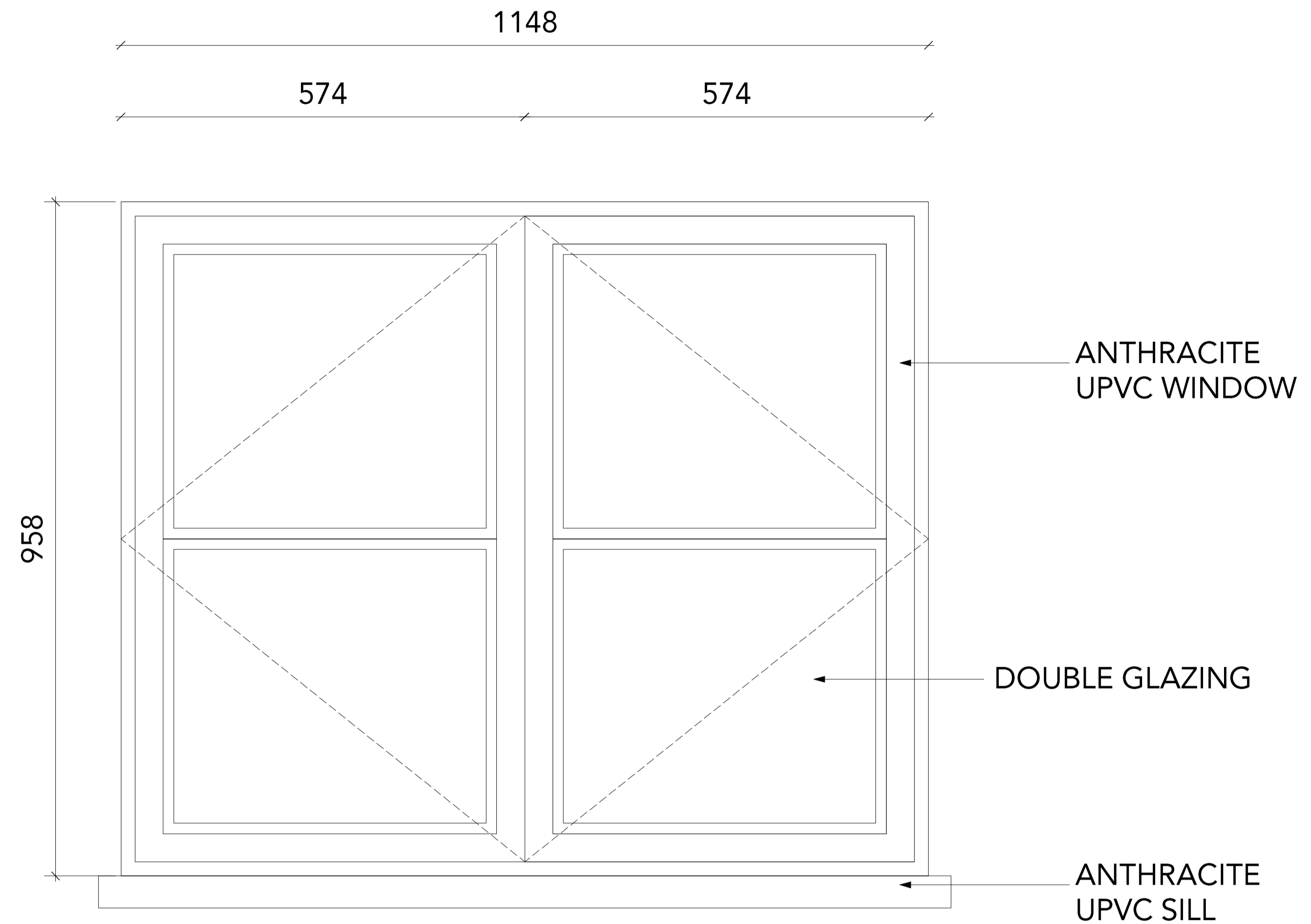


**3** GLAZING BAR DETAIL  
SCALE 1:2 @A1



**2** CROSS SECTION OF WINDOW PROFILE  
SCALE 1:1 @A1



**1** REAR ELEVATION WINDOW  
SCALE 1:5 @A1