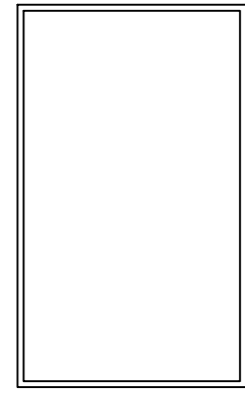
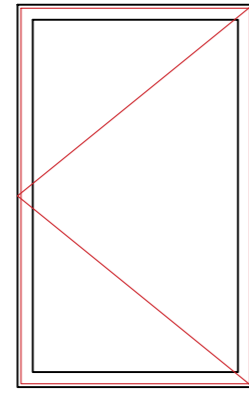


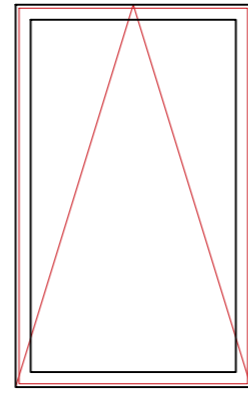
PRODUCT RANGE



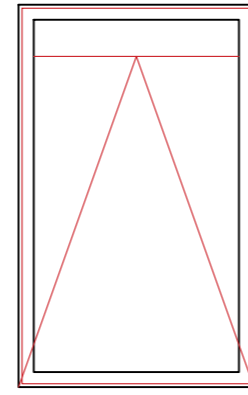
FIXED LIGHT



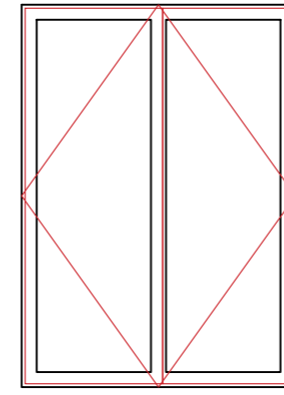
SIDE HUNG CASEMENT
OPEN OUT



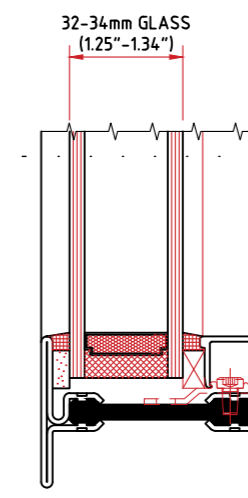
TOP HUNG VENT
OPEN OUT



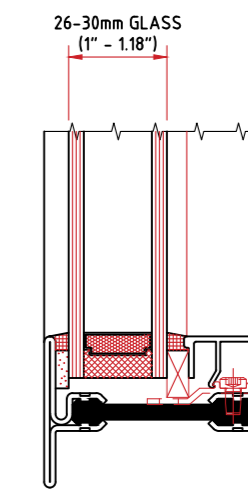
PROJECTING
TOP HUNG VENT
OPEN OUT



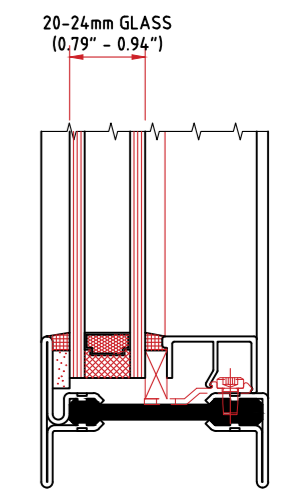
FRENCH CASEMENT
OPEN OUT



15mm (0.59")
GLAZING BEAD

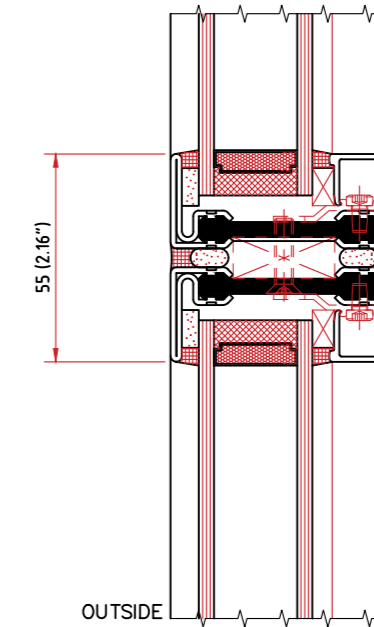


20mm (0.78")
GLAZING BEAD

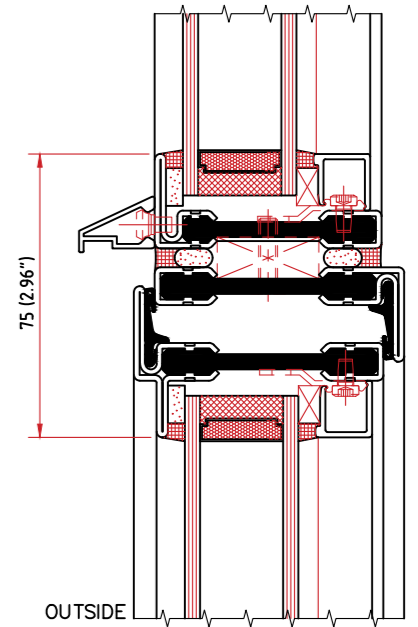


25mm (0.98")
GLAZING BEAD

GLAZING BEAD OPTIONS

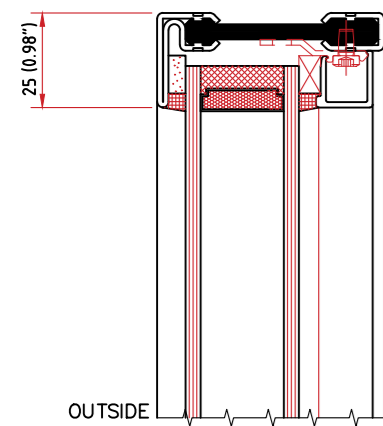


OUTSIDE

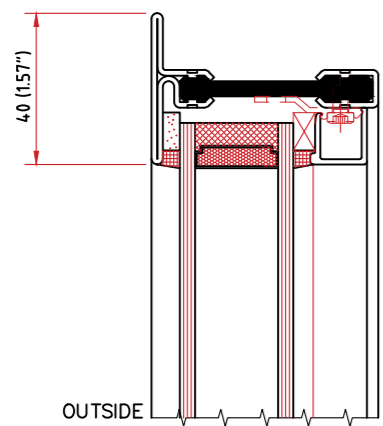


OUTSIDE

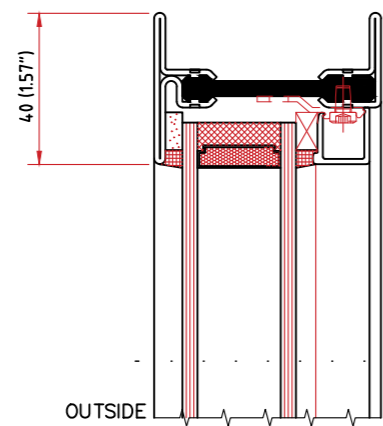
DIRECT COUPLING DETAILS



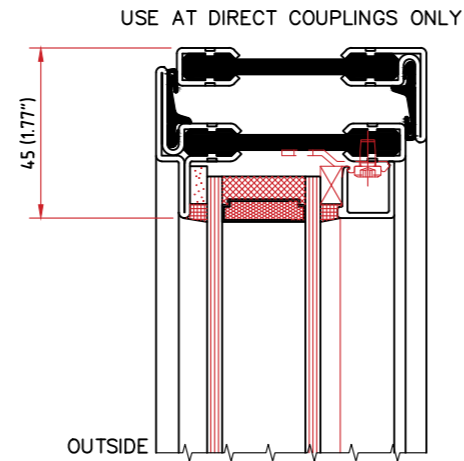
OUTSIDE



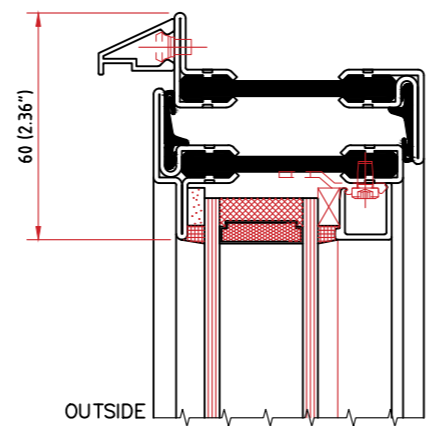
OUTSIDE



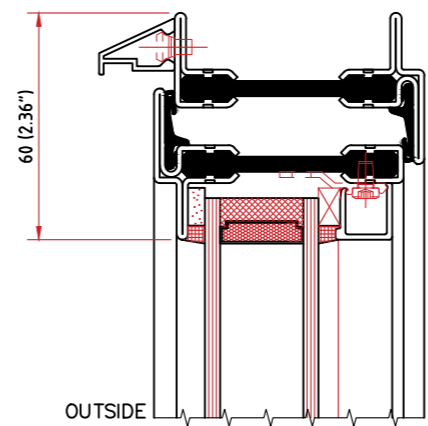
OUTSIDE



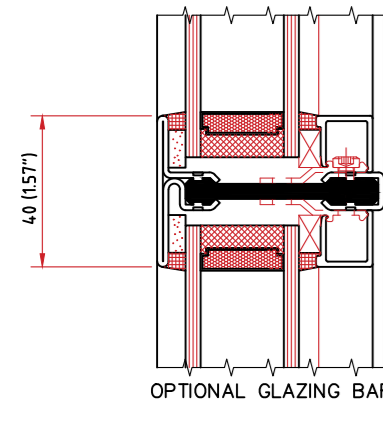
OUTSIDE



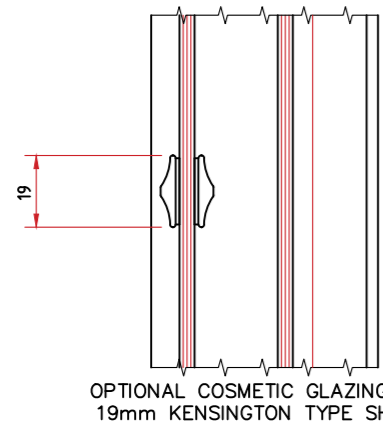
OUTSIDE



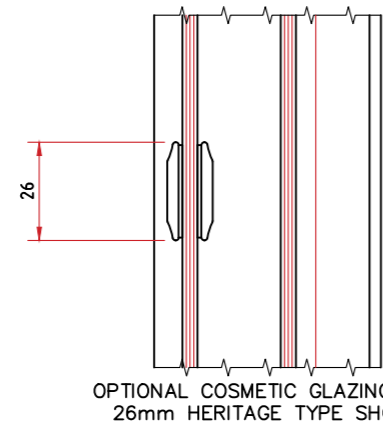
OUTSIDE



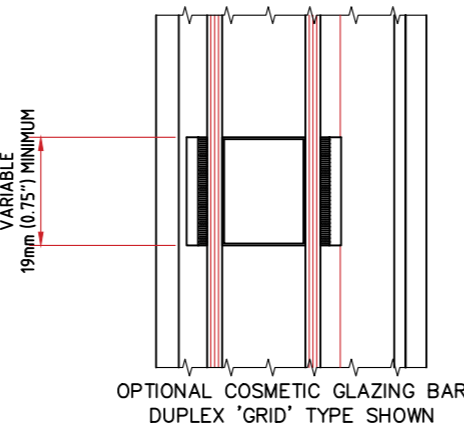
OPTIONAL GLAZING BAR



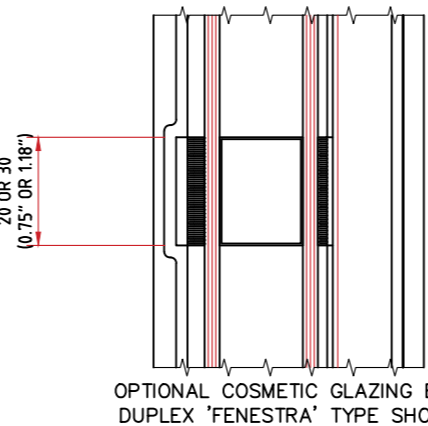
OPTIONAL COSMETIC GLAZING BAR
19mm KENSINGTON TYPE SHOWN



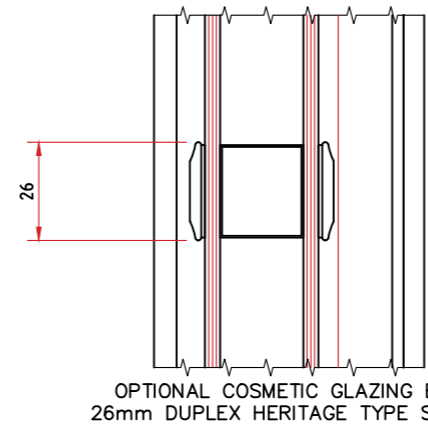
OPTIONAL COSMETIC GLAZING BAR
26mm HERITAGE TYPE SHOWN



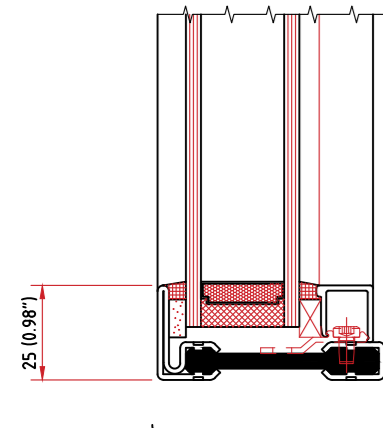
OPTIONAL COSMETIC GLAZING BAR
DUPLEX 'GRID' TYPE SHOWN



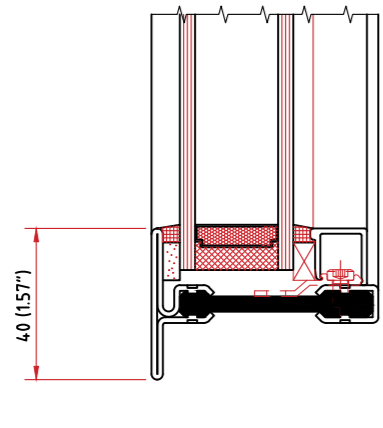
OPTIONAL COSMETIC GLAZING BAR
DUPLEX 'FENESTRA' TYPE SHOWN



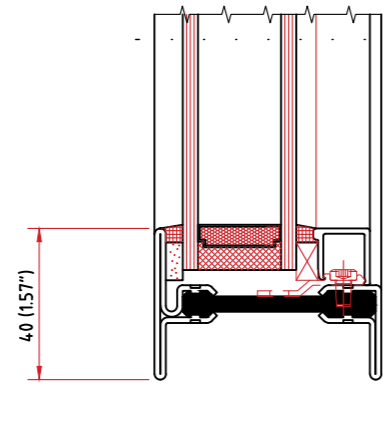
OPTIONAL COSMETIC GLAZING BAR
26mm DUPLEX HERITAGE TYPE SHOWN



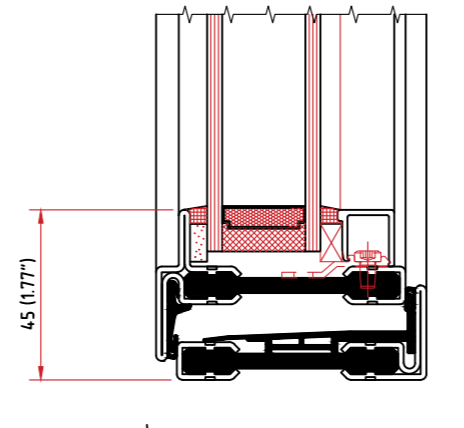
25 (0.98')



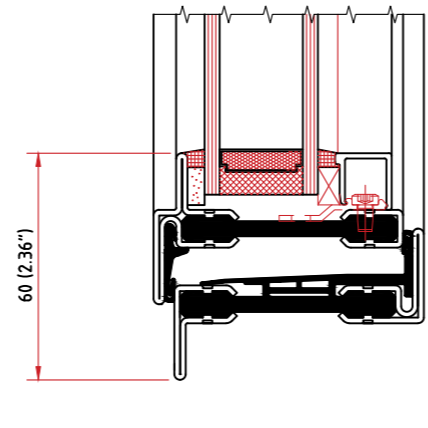
40 (1.57')



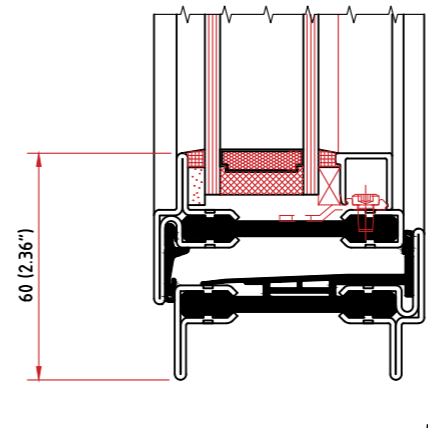
40 (1.57')



45 (1.77')



60 (2.36')

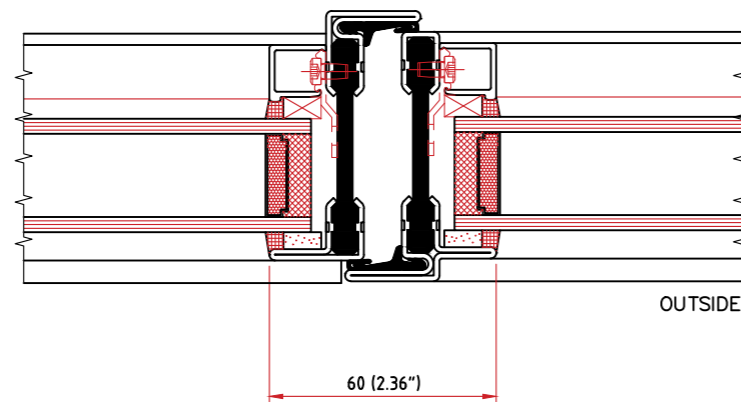


60 (2.36')

FIXED LIGHTS

OPENING LIGHTS

TYPICAL MEETING RAIL DETAIL
(FRENCH CASEMENT)



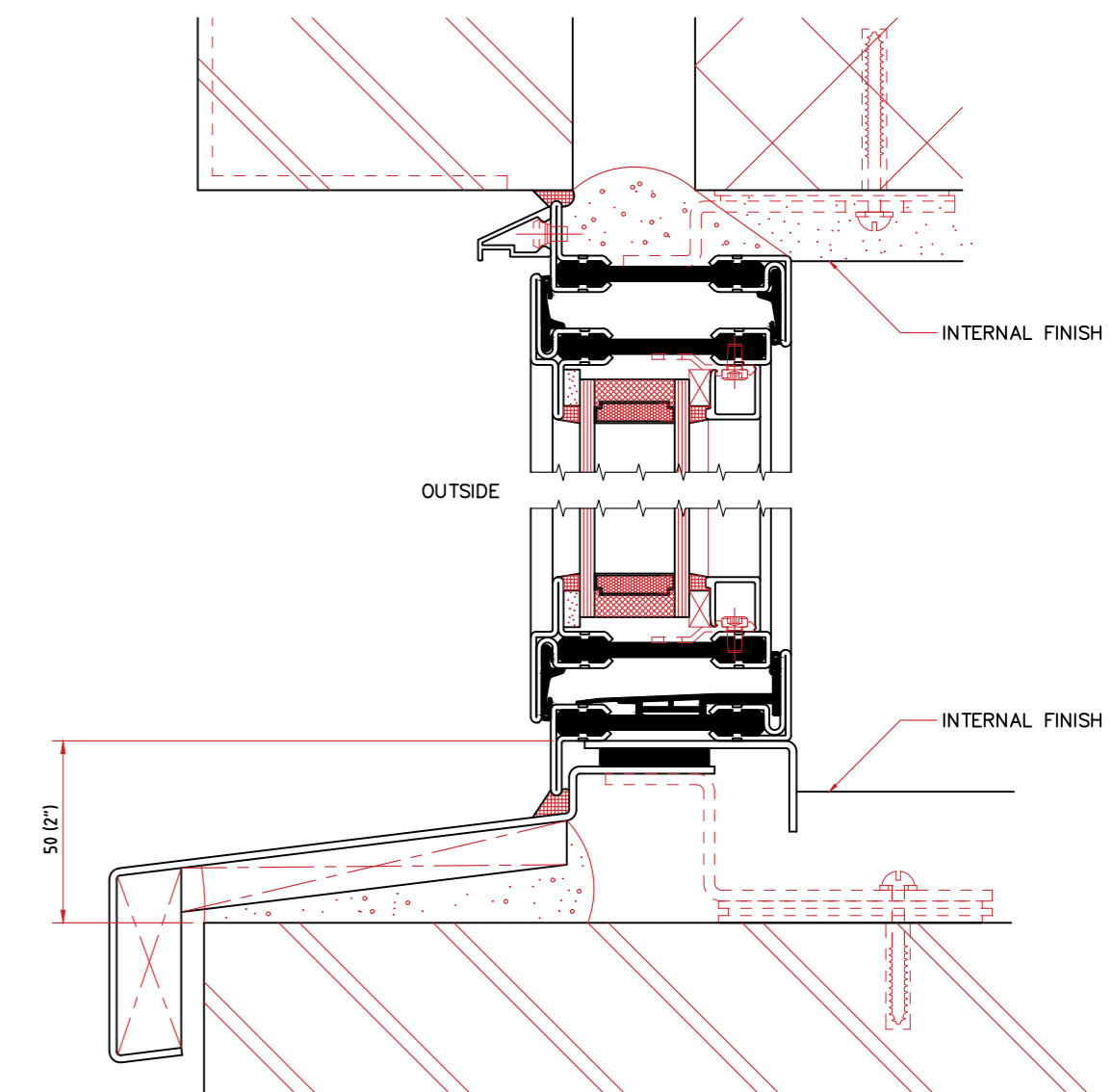
OUTSIDE

JAMB DETAILS SIMILAR TO
HEAD AND SILL



T60 WINDOWS
GENERAL ARRANGEMENT

CRITTALL® IS A REGISTERED TRADE MARK OF CRITTALL WINDOWS LIMITED



TYPICAL SURROUND DETAIL