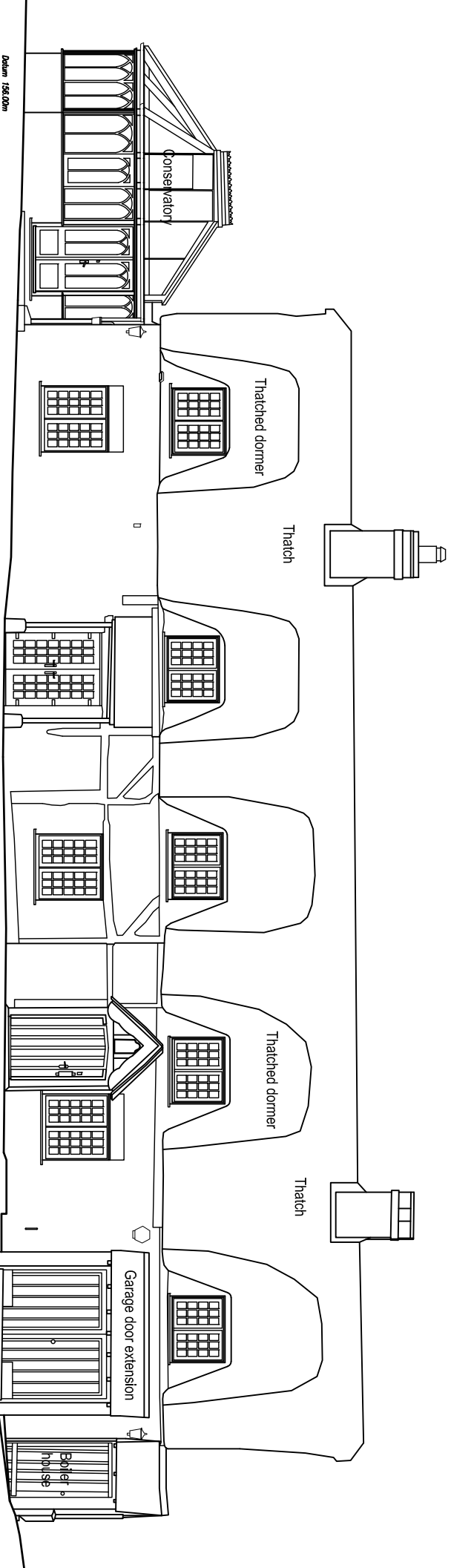
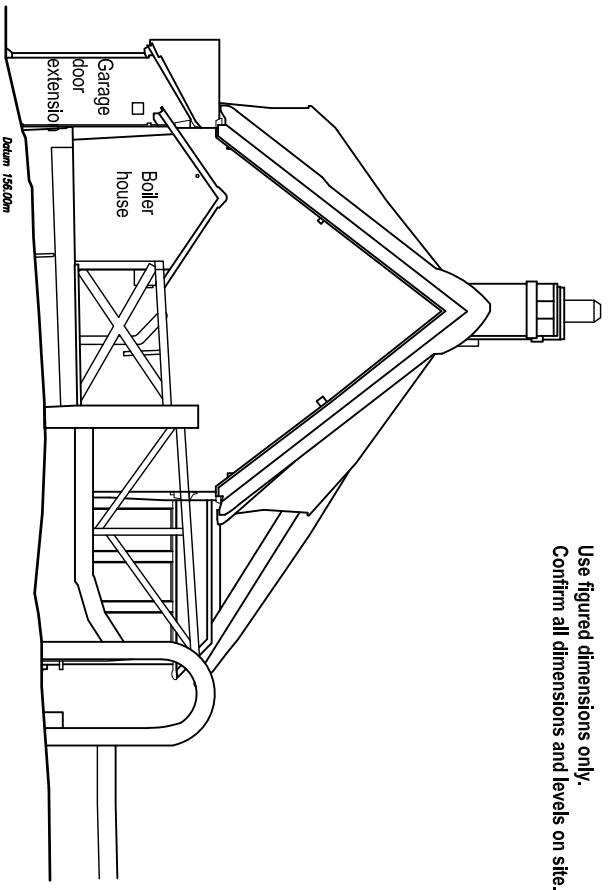


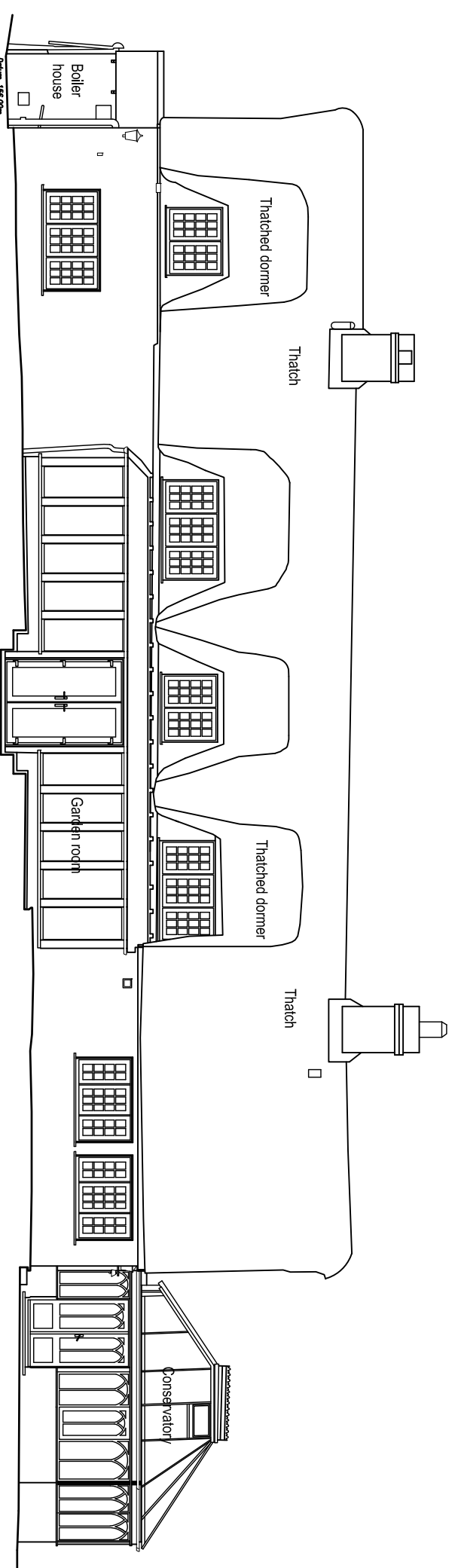
Use figured dimensions only.  
Confirm all dimensions and levels on site.



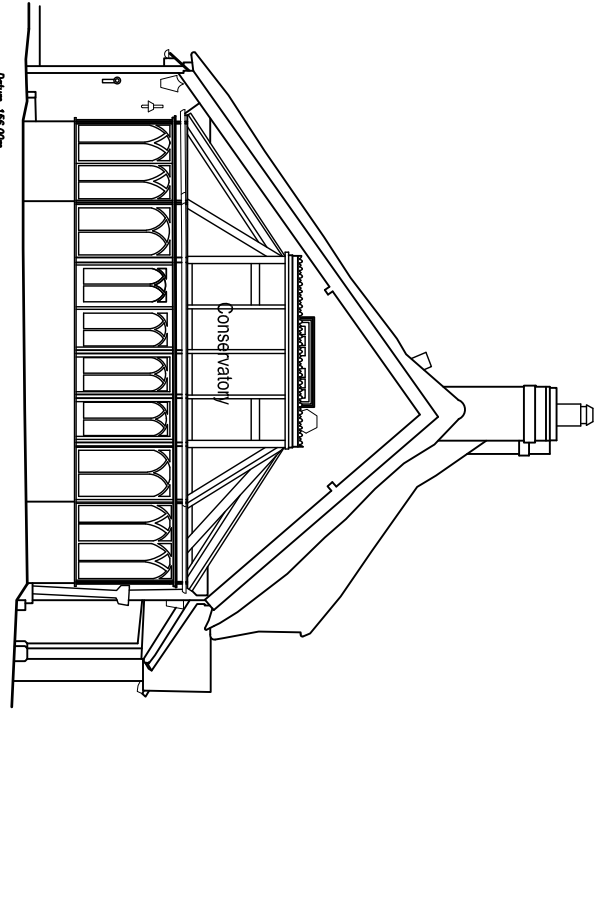
**FRONT NORTH ELEVATION**



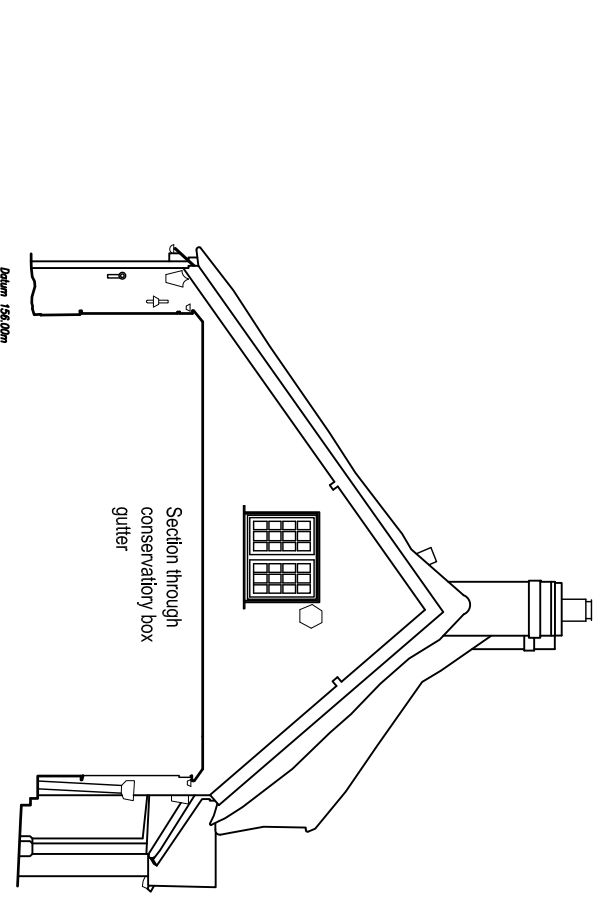
**SIDE WEST ELEVATION**



**REAR SOUTH ELEVATION**



**SIDE EAST ELEVATION  
(with conservatory)**



**SIDE EAST ELEVATION  
(section through conservatory)**

PLC	Planning application Issue	10.08.23
Revision	Description	Date

<b>PLANNING APPLICATION</b>			
<b>VICTORIA MANSER ARCHITECT</b>			
Molymsden Farm Spring Lane Burwash TN19 7HX Tel 07778 959905 vcm@manser.co.uk			
Job	Threeways, Bighton Road Medstead Alton Hampshire GU34 5NB		
Drawing	Existing house elevations		
Job ref	TW	Date	August 2023
Scale	1:100 at A3 size	Dwg No	18
		Revision	PLC