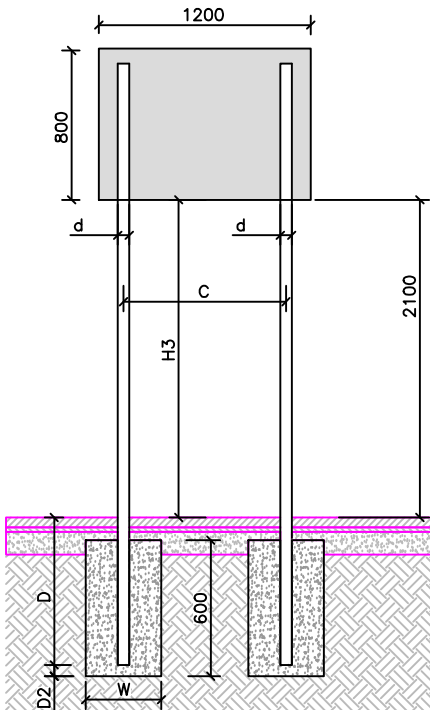
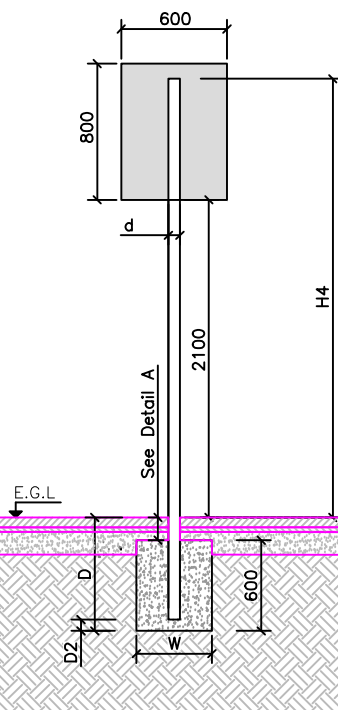


1. Contractors to check dimensions and notify any discrepancies or errors to the company immediately.
2. Work to figured dimensions only and to be checked before commencement of work on site.
3. All dimensions in millimetres unless otherwise stated.
4. For signage schedule, refer to drawing E-0000-002.

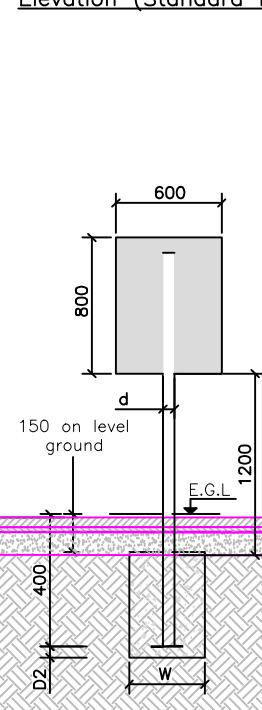
Typical Double Signage Pole Installation Detail



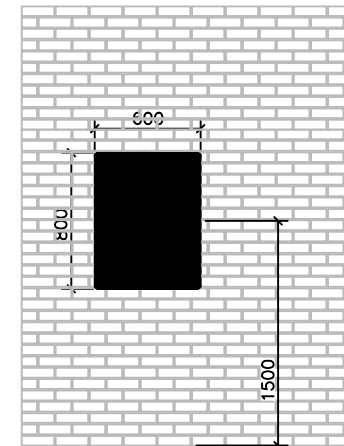
Typical Single Signage Pole Installation Detail



BB Pole (Rubber Edged Sign) Elevation (Standard Post)



Typical Signage Wall Installation Details



A | For Information | DAO | DAO | CL | 01/06/2014

ParkingEye

Standard Details

Signage Pole Installation Details

Information *U.SAKSR* 20/09/2023

Information

1:50 *U.SAKSR* 20/09/2023

E-0000-001 C