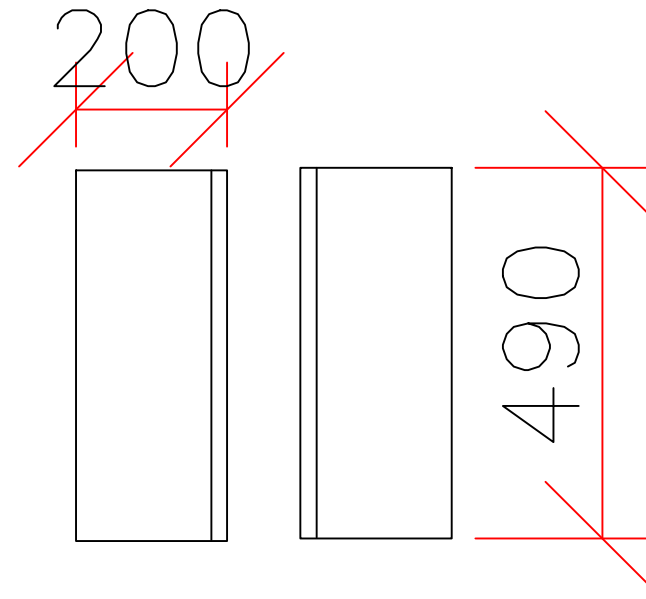
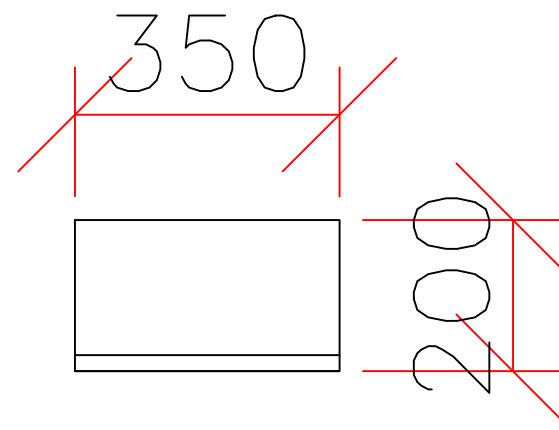


EXTERNAL CABINET  
FRONT ELEVATION



EXTERNAL CABINET  
SIDE ELEVATIONS



EXTERNAL CABINET  
PLAN

Notes:

1. Contractors to check dimensions and notify any discrepancies or errors to the company immediately.
2. Work to figured dimensions only and to be checked before commencement of work on site.
3. Drawing is already to scale.
4. All dimensions in millimeters unless otherwise stated.

Legend:



Office Contact:  
40 Eaton Avenue, Matrix Park, Buckshaw Village,  
Chorley, Lancashire, PR7 7NA

Tel: 01772 450 970

Emails: [Planning@parkingeye.co.uk](mailto:Planning@parkingeye.co.uk)

Client:	ParkingEye Ltd
Project:	Standard Details
Title:	External Cabinet
Scale:	1:10
Drawn:	<i>Yassen Laher, Y.Laher</i>
Date:	21/01/22
Drawing Reference Number:	C-0000-09
Drawing Rev:	Rev A