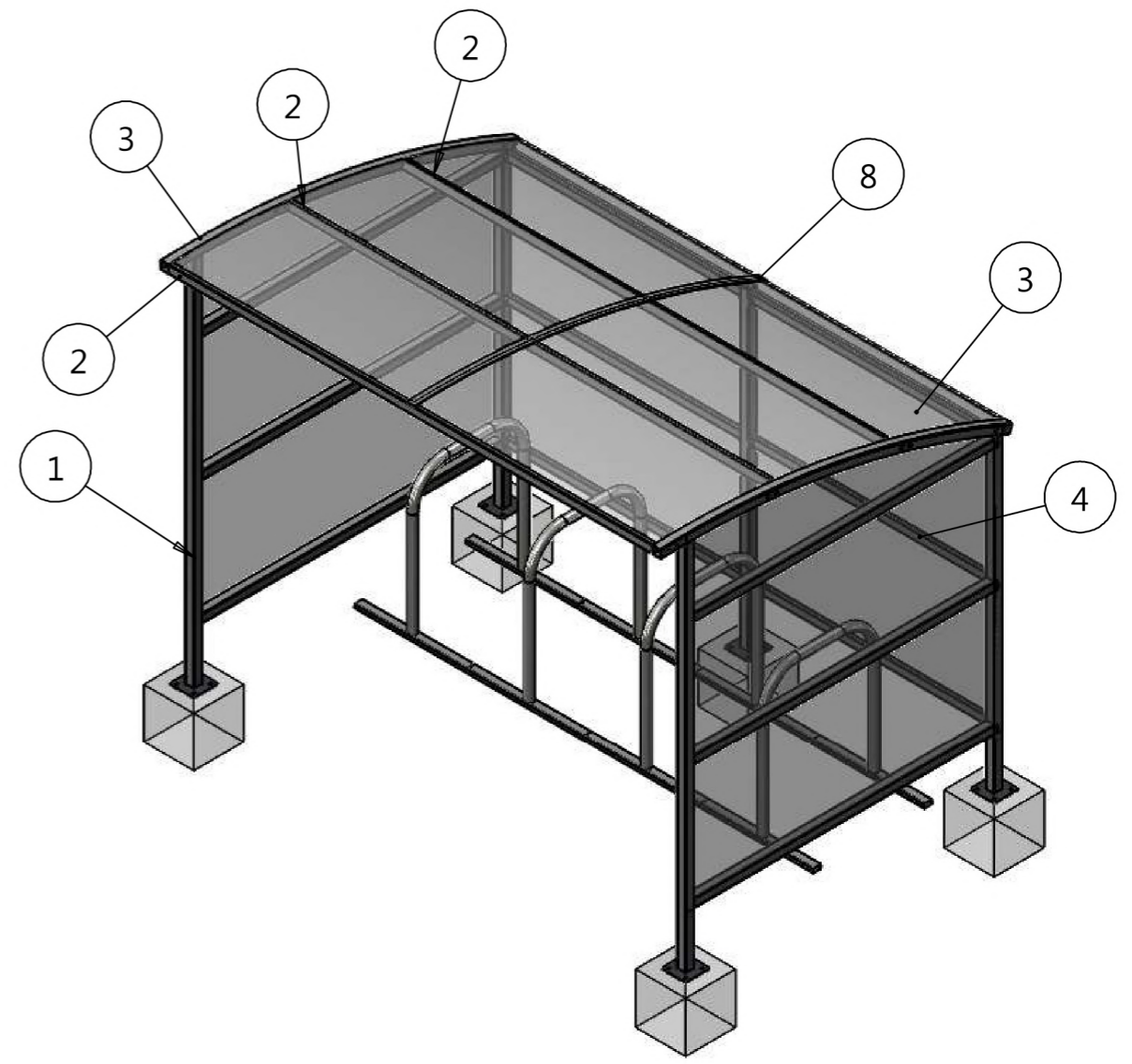
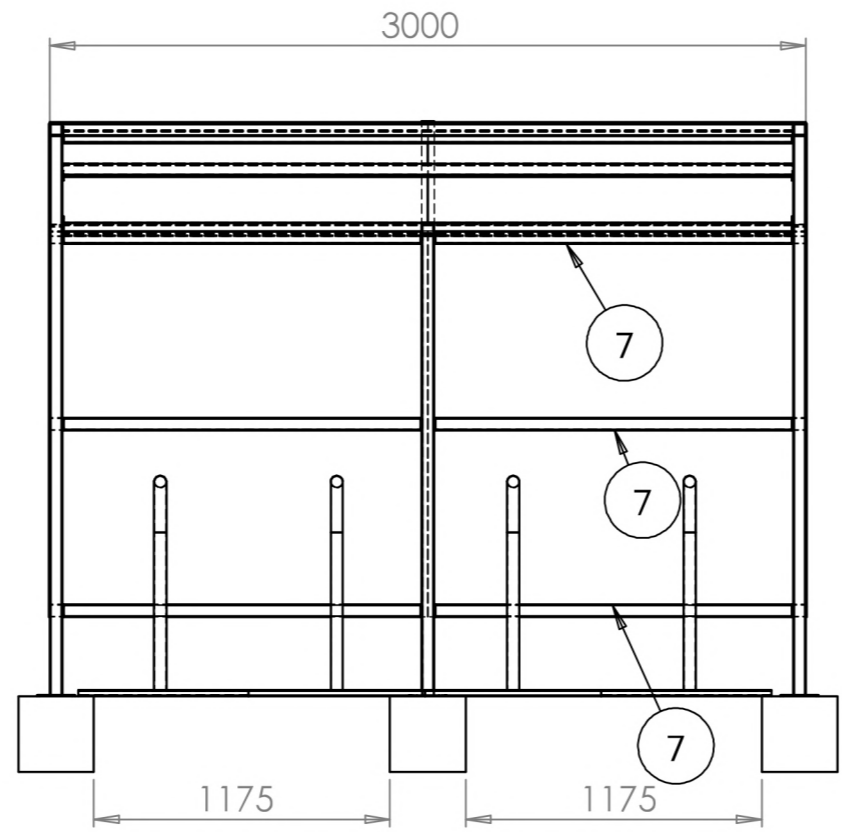
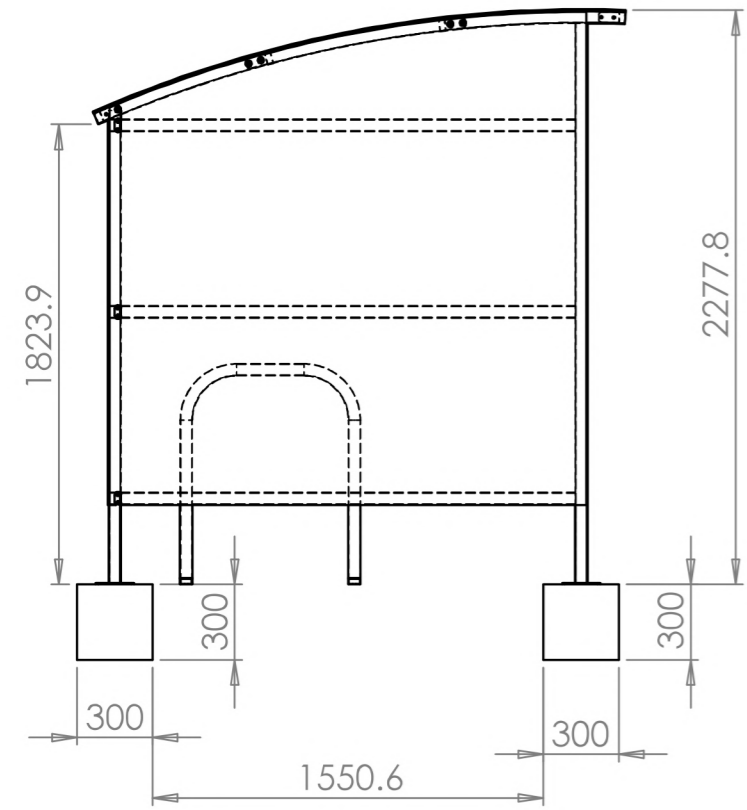
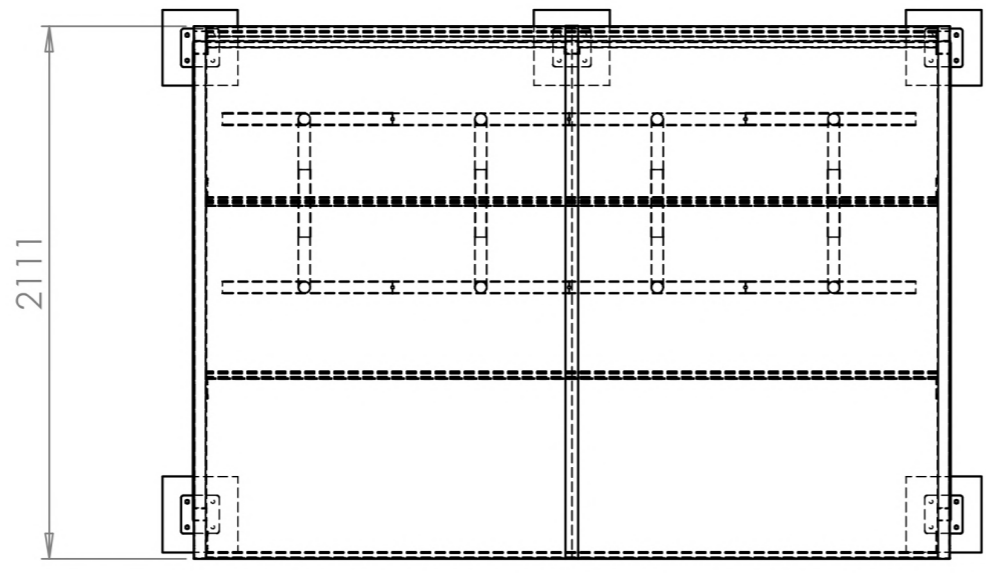


ITEM NO.	PART NUMBER	QTY.
1	CYSH-PREM-SIDE ASS	2
2	CYSH-PREM-ROOF PURLIN 3000 ASS	4
3	POLYCARB 2167 X 1500	2
4	POLYCARB 1955 X 1850 CURVE	2
5	POLYCARB 1530 X 1500	2
6	CYSH-PREM-REAR LEG ASS	1
7	CYSH-PREM-PURLIN 1425 ASS	6
8	FLAT 50MM X 3MM	1
9	CYSR-SHEFF-48-850-715-4	1



DEBURR AND BREAK SHARP EDGES DO NOT SCALE DRAWING	DRAWN: CAB	DATE: 25/07/19	REVISION: A
	MG Metal Design		
UNLESS OTHERWISE SPECIFIED: DIMENSIONS ARE IN MILLIMETERS TOLERANCES: LINEAR:±1MM ANGULAR:±1DEG	TITLE: PREMIER SHELTER BASEPLATED		
	DWG NO. CYSH-PREM-2250 X 3000 X 2100		
	FINISH: SEE JOB SHEET	SCALE: 1:30	A3
MATERIAL: SEE B.O.M			SHEET 1 OF 4