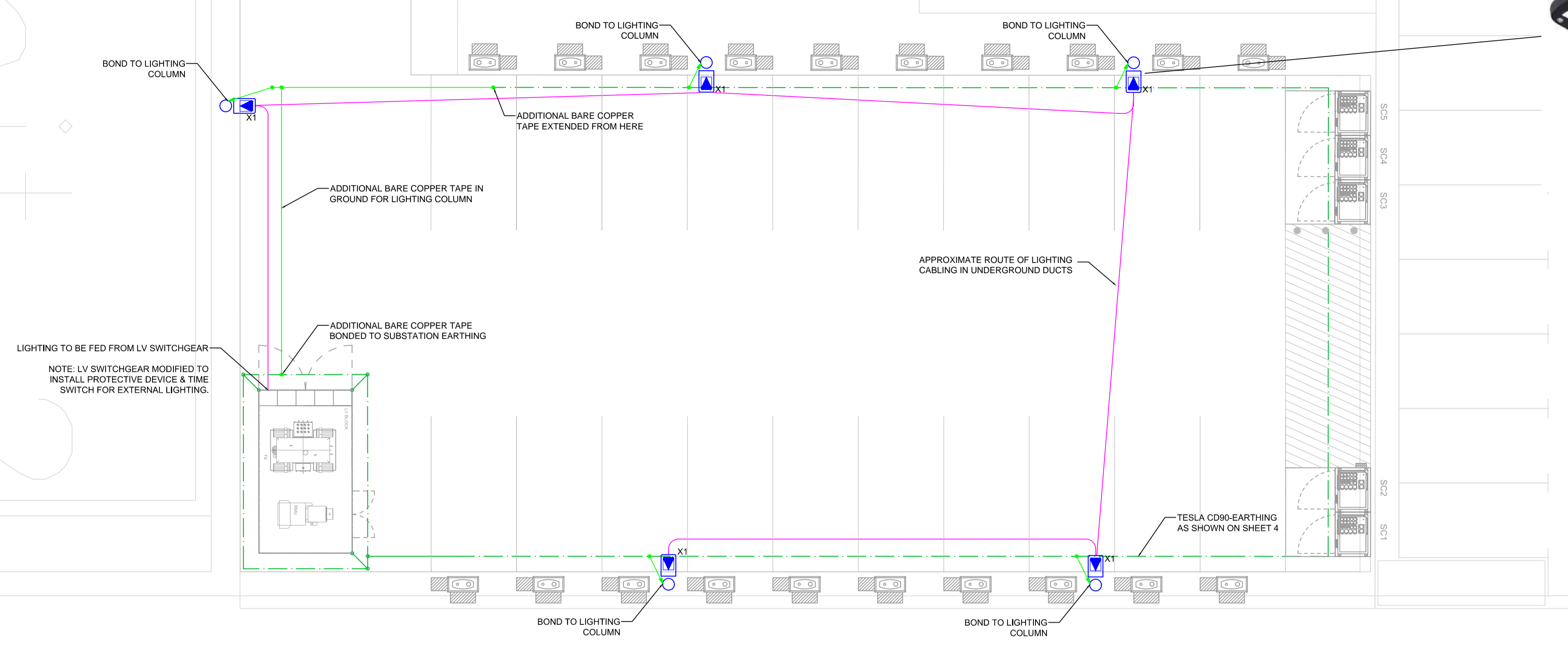
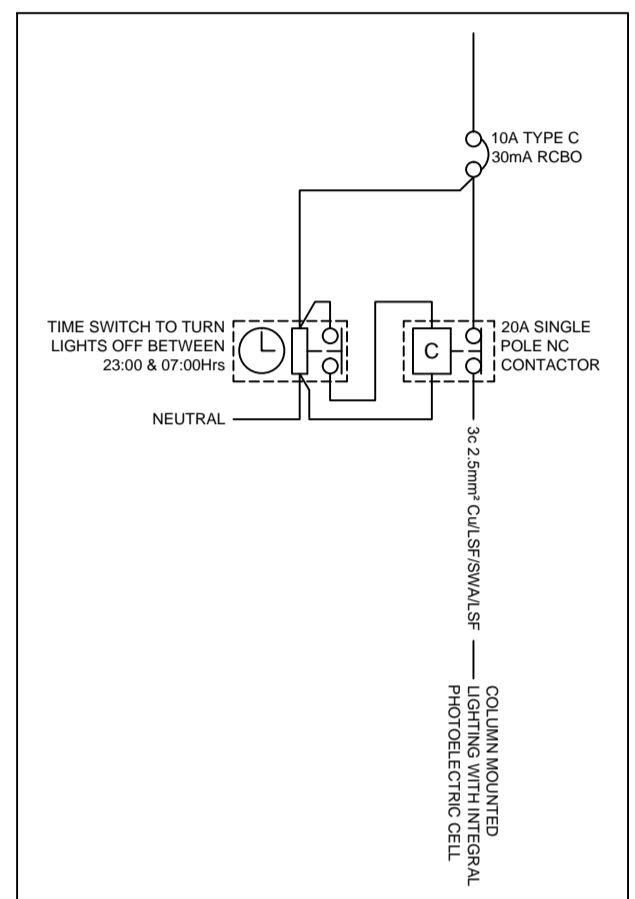


LUMINAIRE LEGEND	
	X1 TAMLITE CITY RL ROAD LANTERN BLACK 40W (5700LM) - 4000K - T4 AREA OPTIC - FIXED OUTPUT - PHOTOCELL - MOUNTED ON 6M (42-60mm Ø SPIGOT) COLUMN

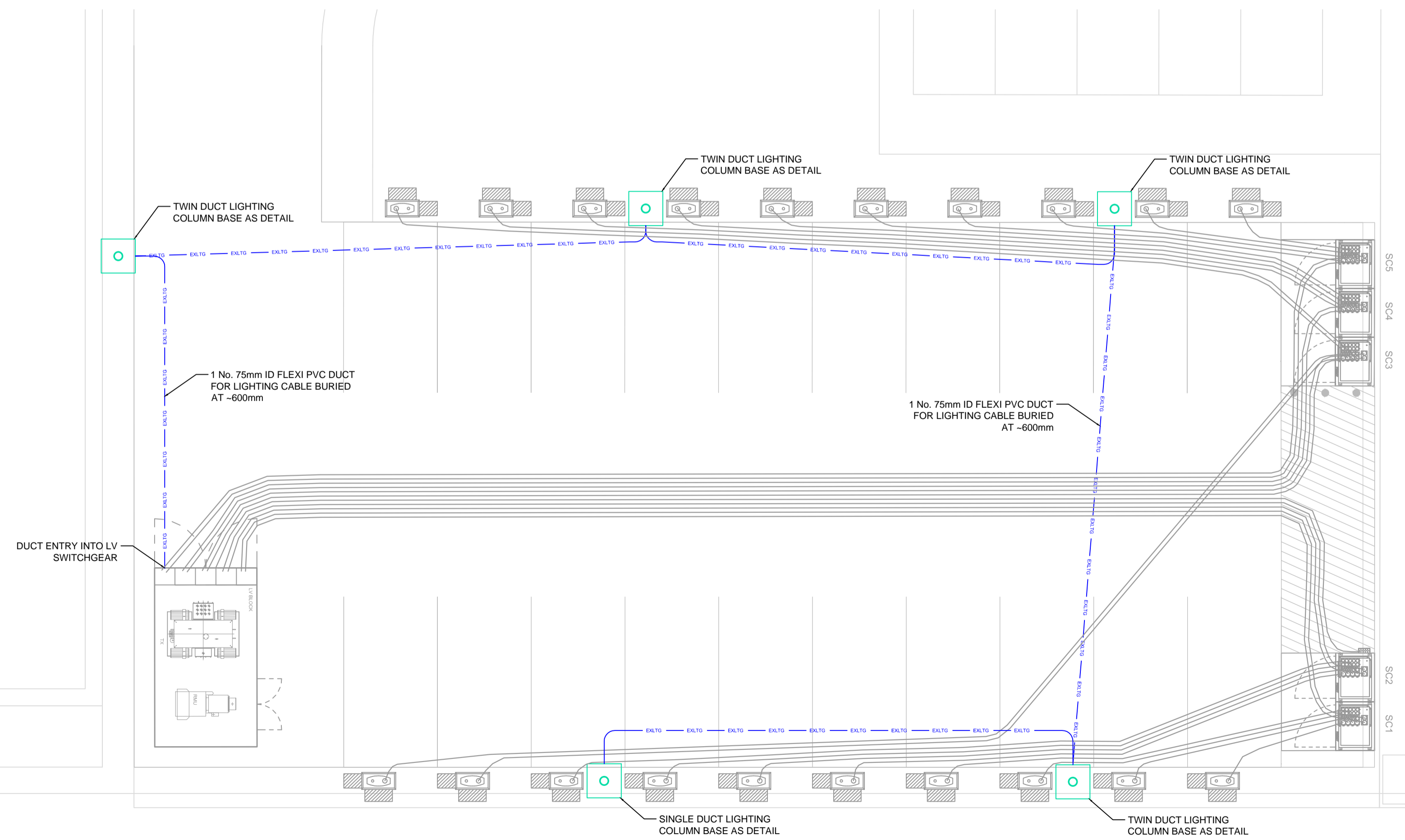


**X1 TYPE LUMINAIRE**



**SINGLE LINE DIAGRAM**

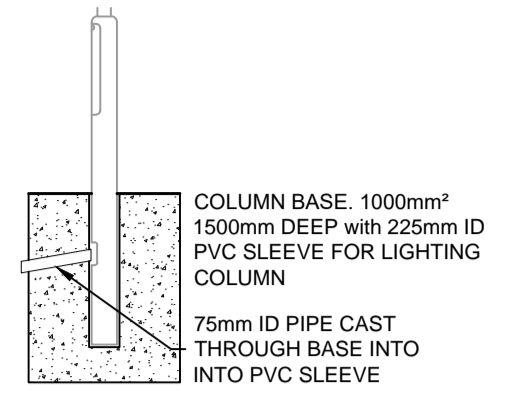
# ELECTRICAL INSTALLATION



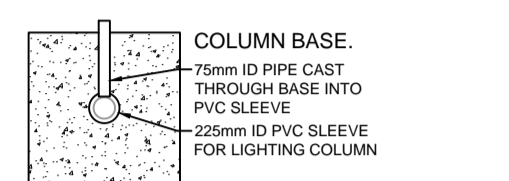
# UNDERGROUND DUCT INSTALLATION

**NOTES ORIGINAL A1**

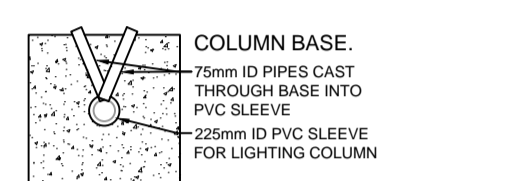
DO NOT SCALE FROM THIS DRAWING. IF IN DOUBT ASK.



LIGHTING COLUMN BASE SECTION (SCALE 1:50)



LIGHTING COLUMN BASE SINGLE DUCT ENTRY (SCALE 1:50)



LIGHTING COLUMN BASE TWIN DUCT ENTRY (SCALE 1:50)

24/08/23	00	DRAFT ISSUE FOR INTERNAL COMMENT
Date	Rev	Description



Project  
**INTEGRA 61 GREENFIELD**

Title  
**LIGHTING WORKS**

Design RV2P	Drawn RV2P	Date AUG '23
----------------	---------------	-----------------

Scale  
1:100 @ A1

Background Drawing  
385 - Integra 61 Greenfield - CD90\_revG

Drawing No. RV2P01-SP30	Rev --
----------------------------	-----------

Status  
**DRAFT**