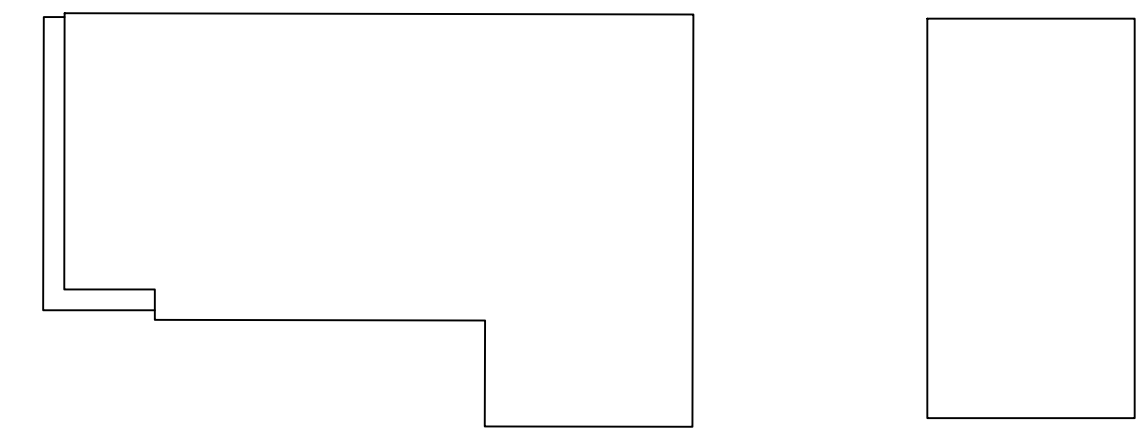
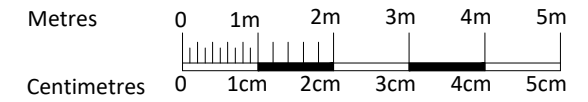


GROUND FLOOR PLAN
SCALE 1:100



ROOF PLAN
SCALE 1:100



PLANNING 1:100

Revision	Description	Date
A	Door added to kitchen	27.09.23

Project
45 Woodhorn Drive
NE62 5ES



Intersect



Architects Limited

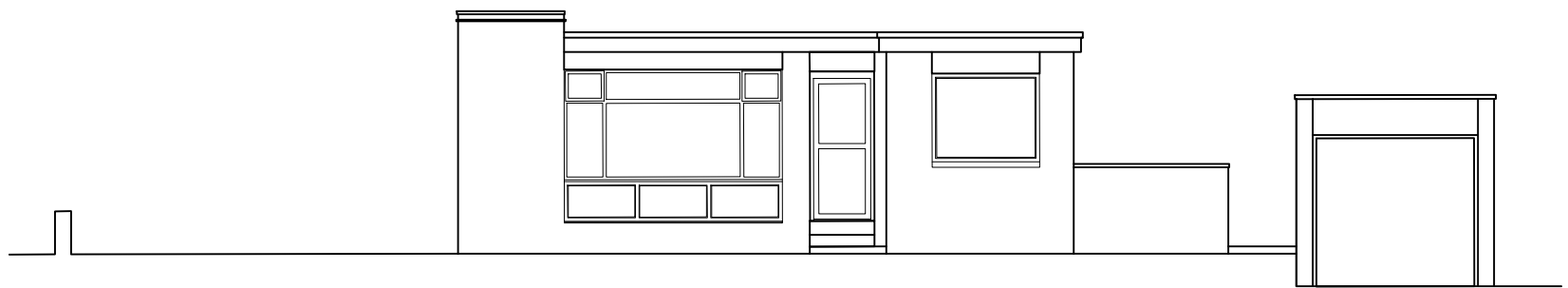
YBN 7-8 Delta Bank Road
Metro Riverside Park
Gateshead NE11 9DJ. T. 0191 303 6283

Title
Plans & Elevations as existing

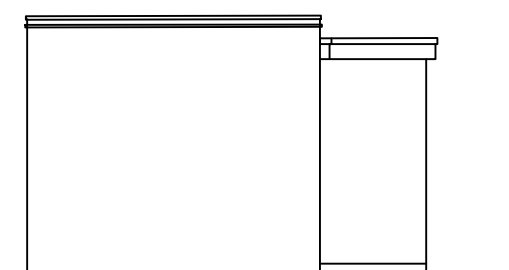
Scale	Date	Drawn by	Chckd by
1:100@A3	Jun 2023	jkb	ajs

Dwg. No. **SP-364-PL-02/ A**

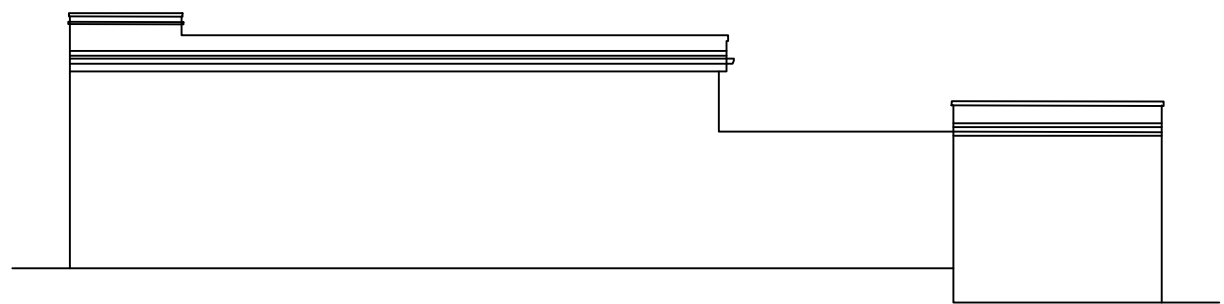
© Intersect™ Architects Limited.
This drawing is copyright and must not be reproduced wholly or in part without prior permission.
Do not scale from this drawing.



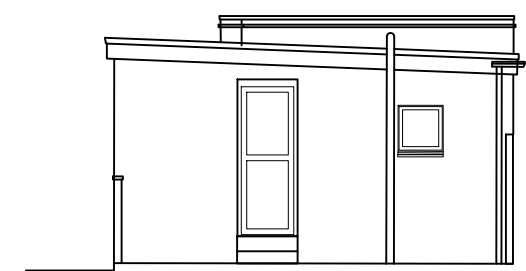
SOUTH ELEVATION
SCALE 1:100



WEST ELEVATION
SCALE 1:100



NORTH ELEVATION
SCALE 1:100



EAST ELEVATION
SCALE 1:100