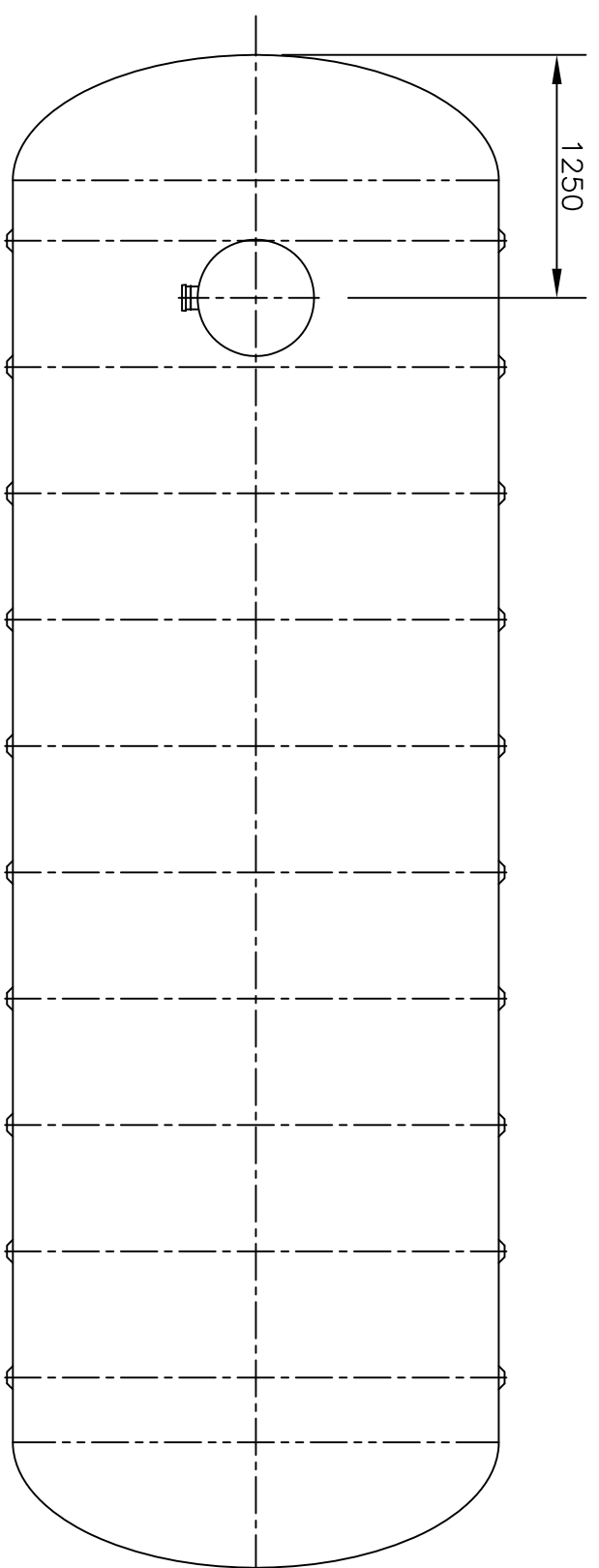
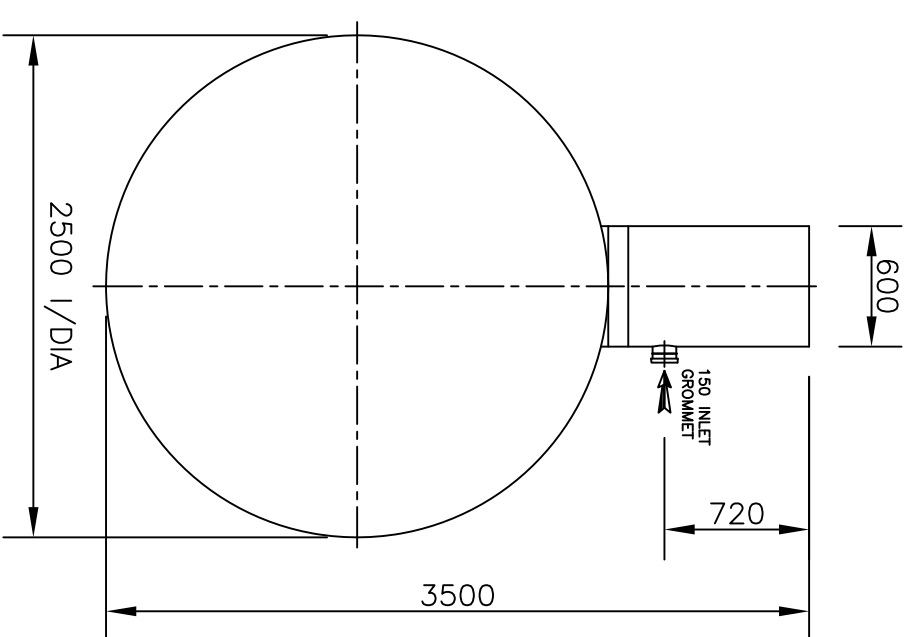
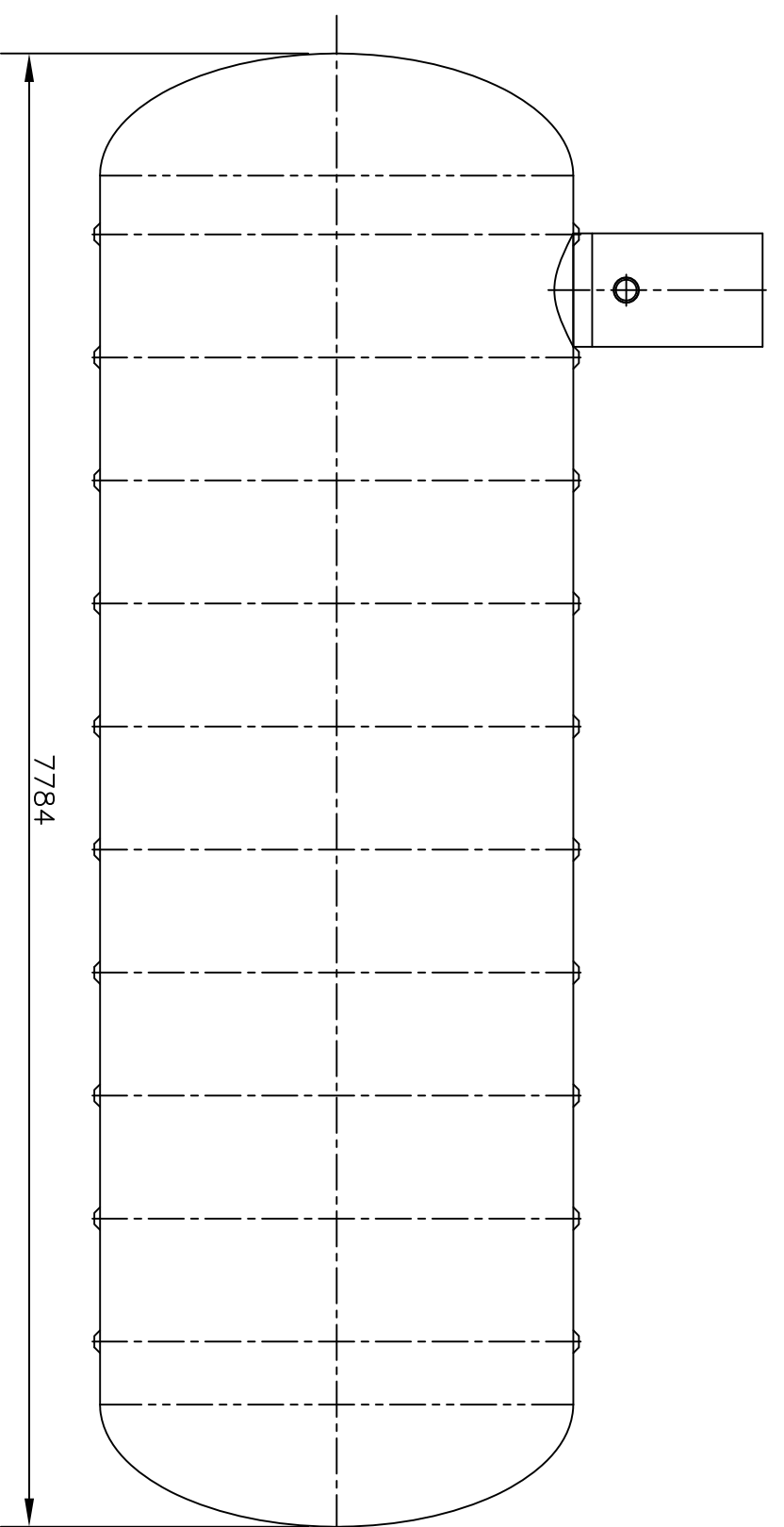
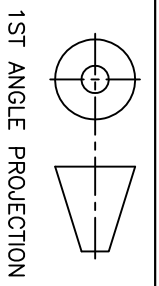
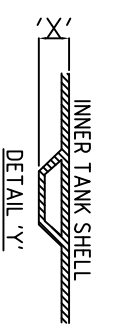


1 2 3 4 5 6



**IMPORTANT INVERT LEVEL NOTE (RIBBED TANKS ONLY!):**  
 The inlet and outlet Invert Level(IL) shown on this drawing is to internals of the shell unless otherwise stated.  
 For Invert level to the outside of the shell ribs, see the conversion below:  
 ø1.0m, 1.2m, 1.5m, 1.8m, 2.5m IL+50mm ('X')  
 ø3.0m, 4.0m IL+75mm ('X')

TANKS SUPPLIED WITH LOOSE SHAFTS DO NOT COME SUPPLIED WITH A FIXING KIT.  
 THIS IS THE RESPONSIBILITY OF THE SITE CONTRACTOR.



REV.	DATE	BY	CHKD.	RP	ISSUED FOR INFORMATION	DESCRIPTION
1	23.03.09	RU	PB	RP	ISSUED FOR INFORMATION	THIS DRAWING IS THE PROPERTY OF PREMIER TECH AQUA Ltd. AND IS NOT TO BE COPIED IN PART OR WHOLE WITHOUT WRITTEN PERMISSION
A3	DO NOT SCALE IF IN DOUBT ASK ALL DIMENSIONS IN MM		GENERAL TOLERANCES (unless noted otherwise)		± 5mm ± 2mm ± 0.5mm ANGLE ±0.5° ±0.2° ±0.1°	

TITLE	CP36.0 - 36,000L CESSPOOL
SCALE	NTS
DRAWING No.	CP36.0 SALES
REVISION	1

DRAWN BY	RU	CHKD.	PB	APPD.	RP
DATE	23.03.09	DATE	23.03.09	DATE	23.03.09